

8

7

6

5

4

3

DWG No. FM401-0111

SH 1 REV C

1

D

D

C

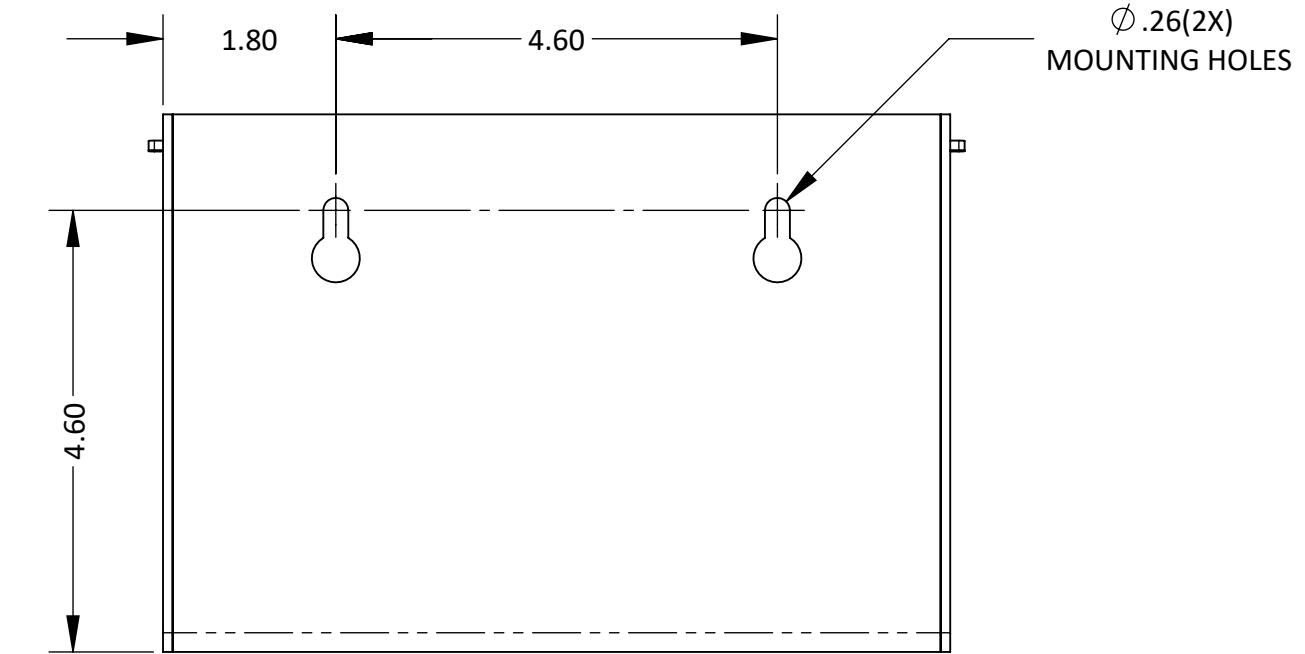
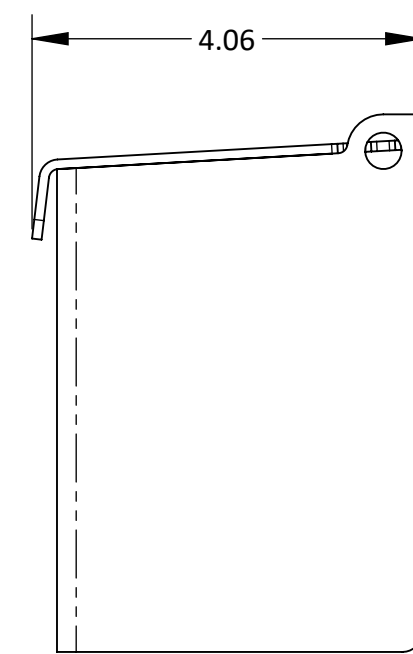
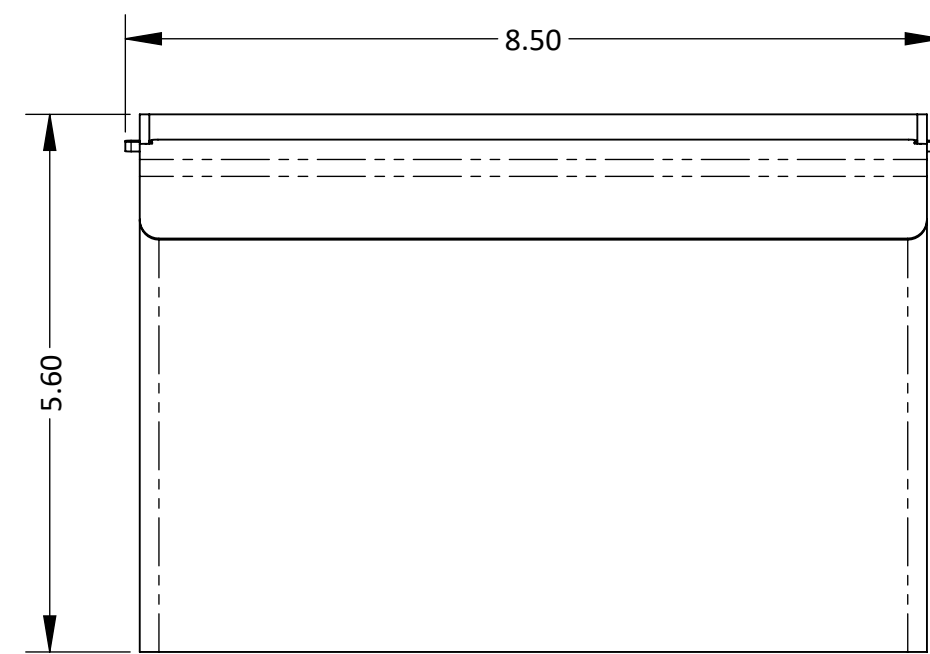
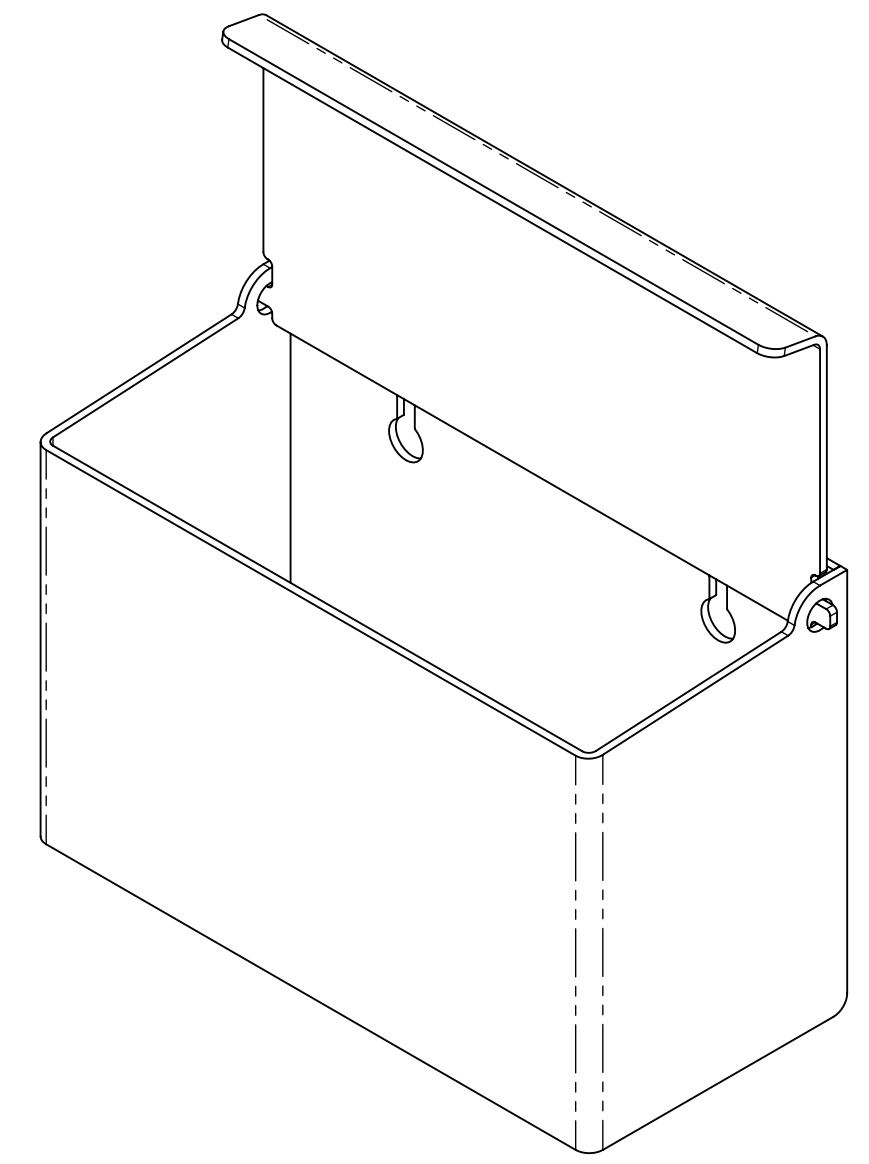
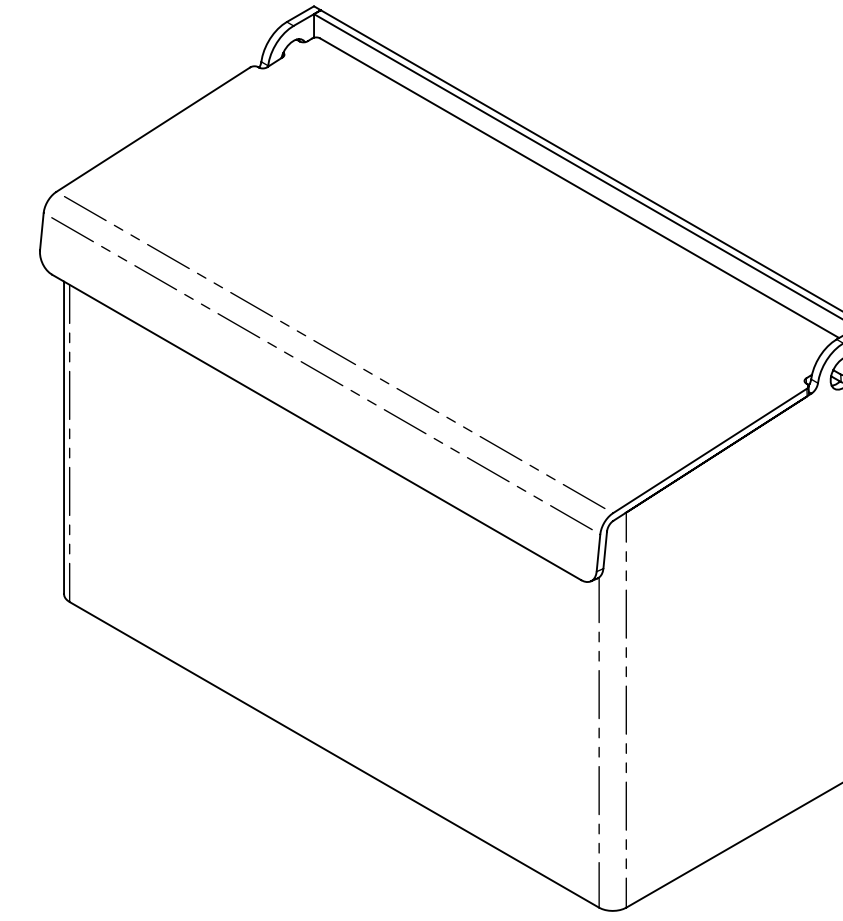
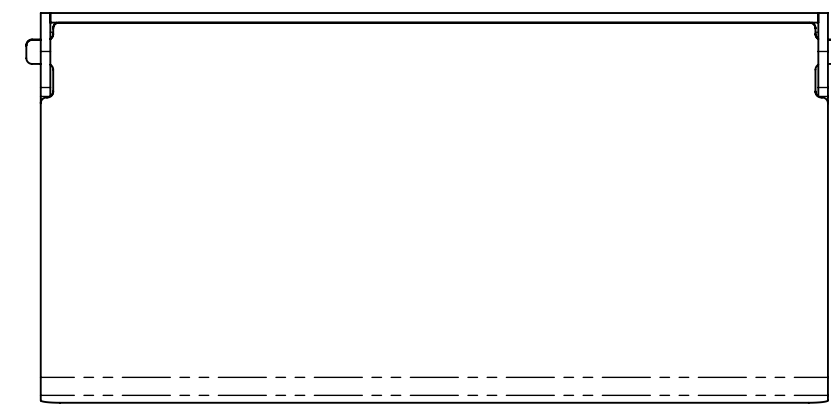
C

B

B

A

A



MATERIAL: PETG Plastic	PART NO.: FM401-0111	SIZE D	TOLERANCE .XX = ± .03 .XXX = ± .010
FINISH: Clear	TITLE: FACE MASK DISPENSER - BULK WITH LID	SCALE 1:2	ANGULAR = ± 1°
BOWMAN Dispensers	BOWMAN Dispensers 20325 71st Ave NE, Ste D Arlington, WA 98223	REV C	SHEET 1 of 1

FILE NAME: FM401-0111_ARCAT.SLDDRW