

8

7

6

5

4

3

DWG No. FP-017

SH 1 REV C

1

D

D

C

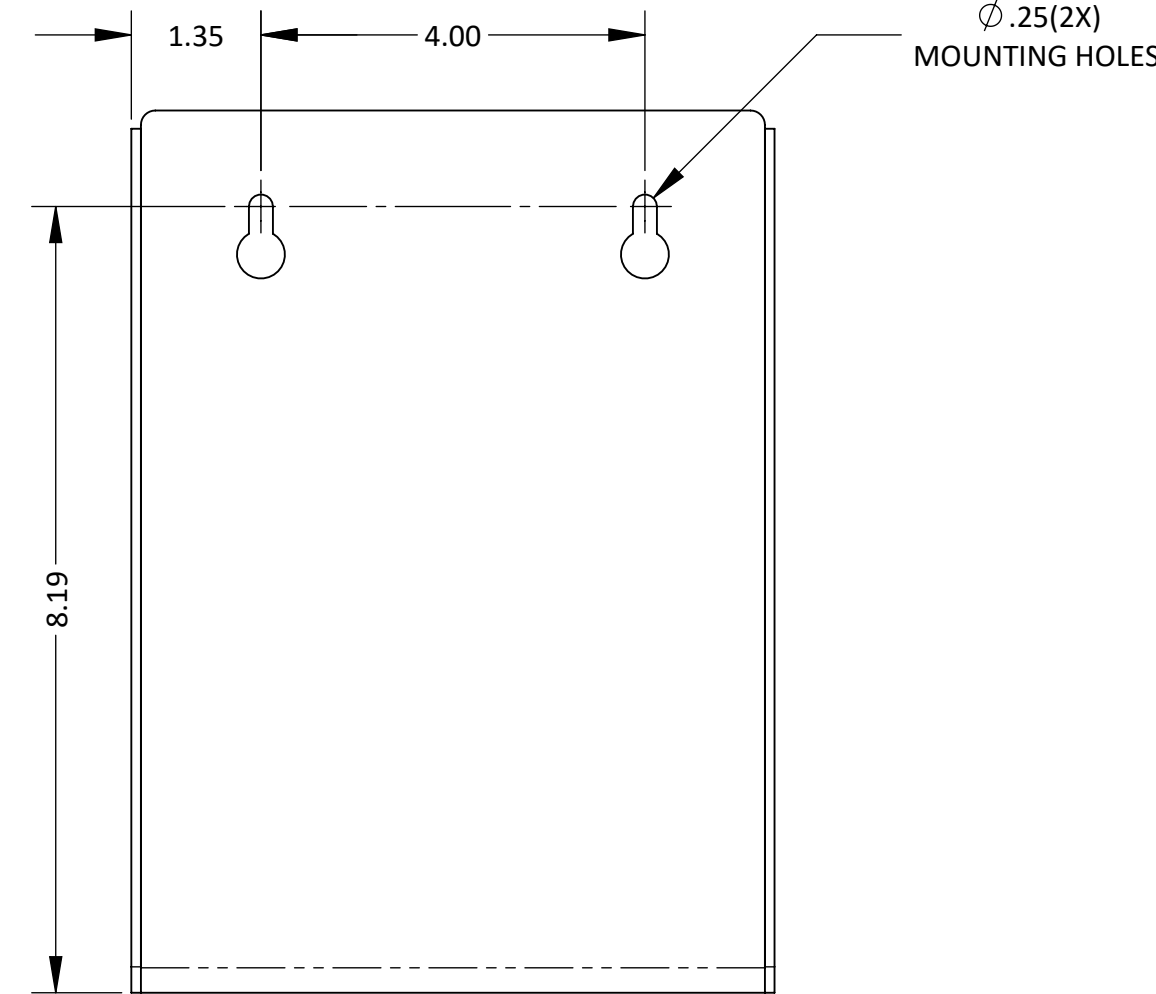
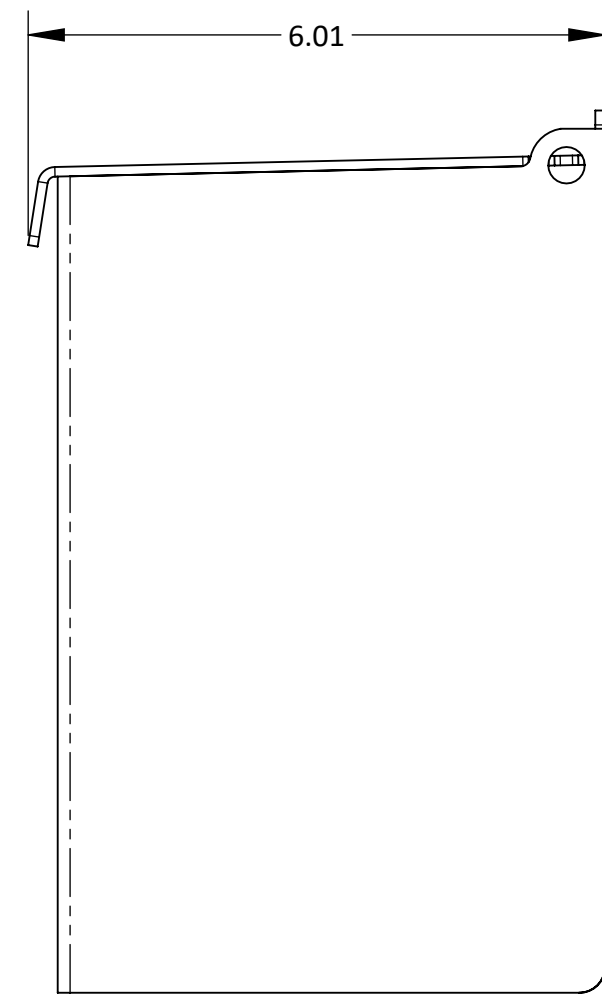
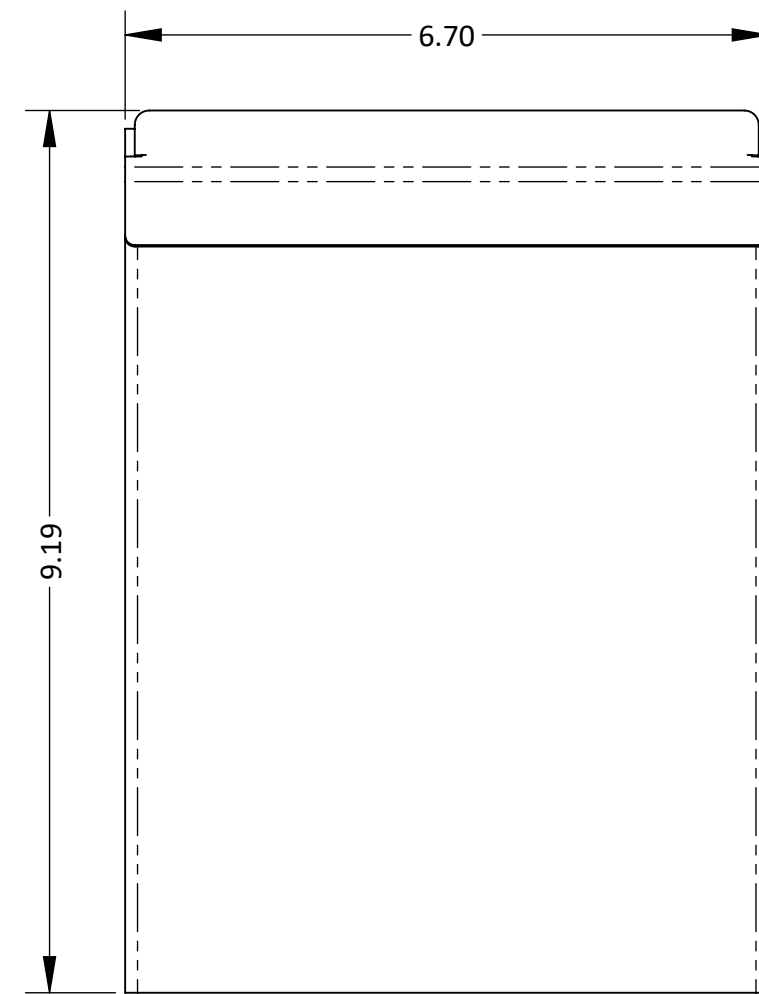
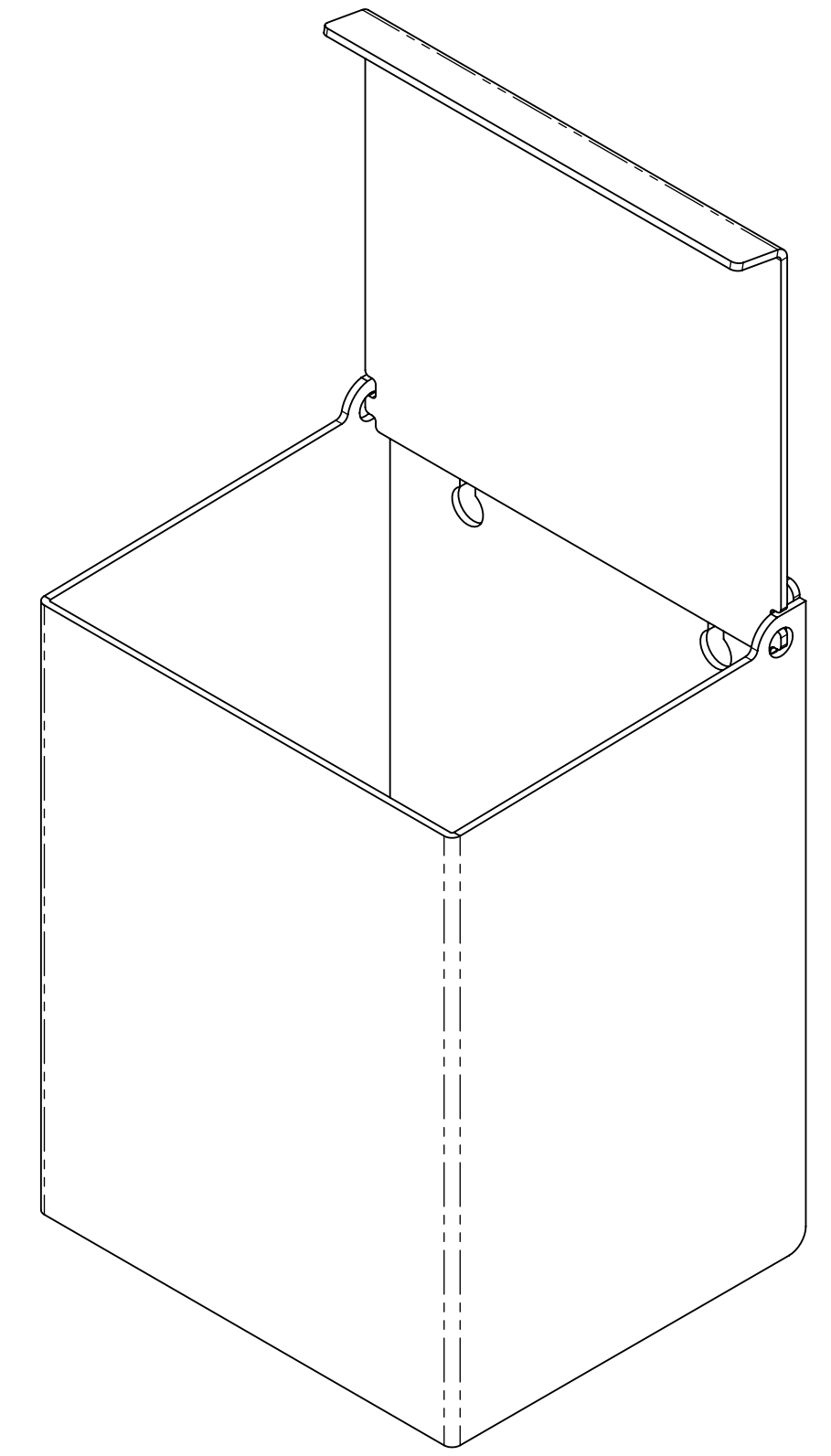
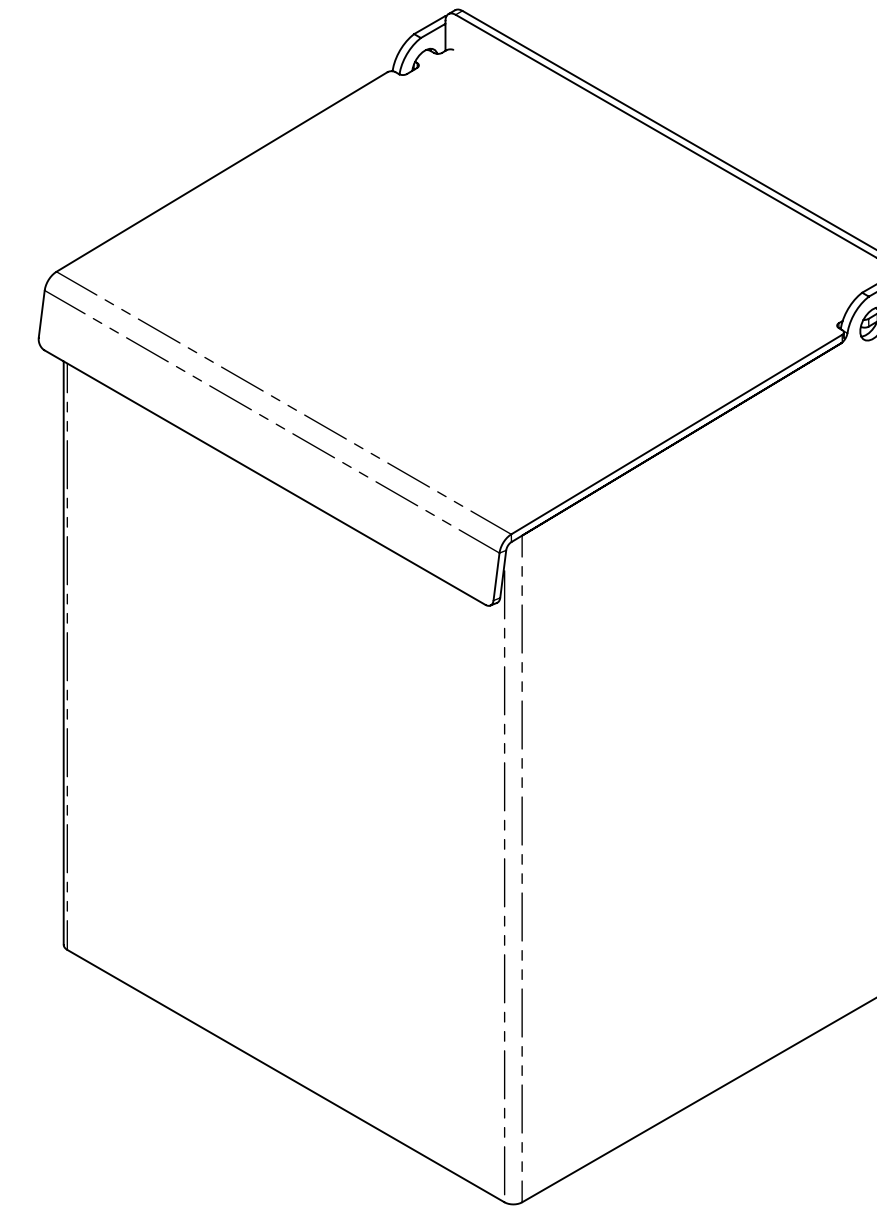
C


B

B

A

A



MATERIAL: PETG Plastic	PART NO.: FP-017	SIZE D	TOLERANCE .XX = ± .03 .XXX = ± .010 ANGULAR = ± 1°
FINISH: Clear	TITLE: BULK DISPENSER - TOP DISPENSING - COMPACT	SCALE 1:2	REV C
BOWMAN  Dispensers		BOWMAN Dispensers 20325 71st Ave NE, Ste D Arlington, WA 98223	
		SHEET 1 of 1	

FILE NAME: FP-017_ARCAT_SLDDRW