

8

7

6

5

4

3

DWG No. GB-002

SH 1 REV E

1

D

C

B

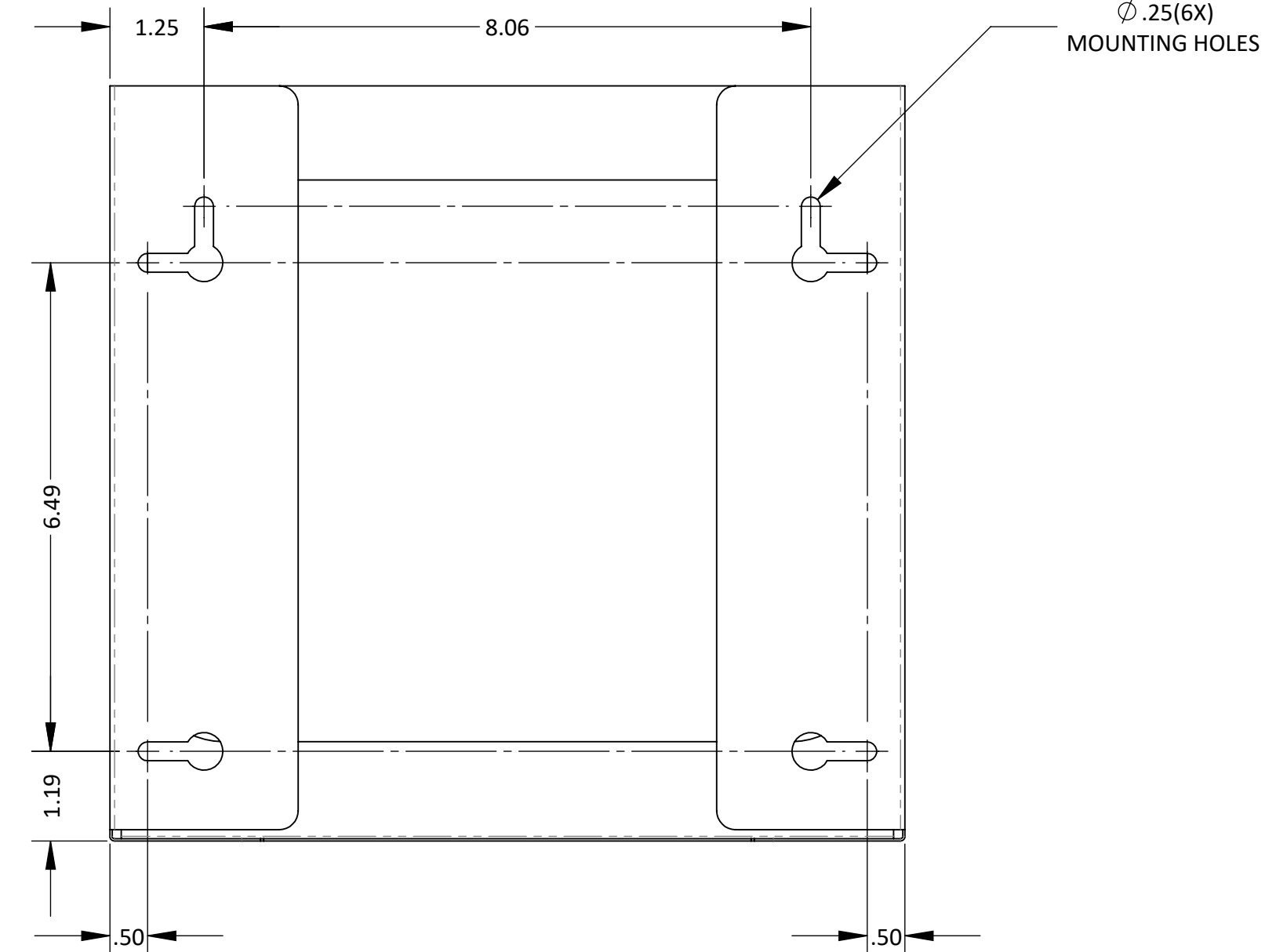
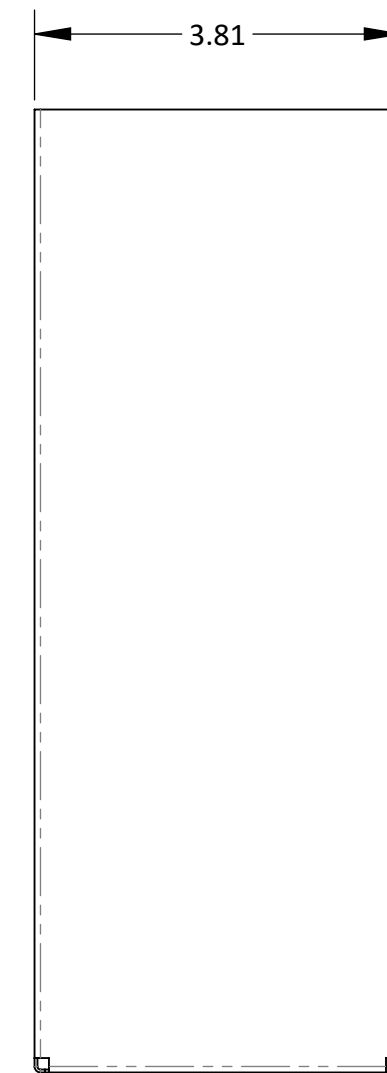
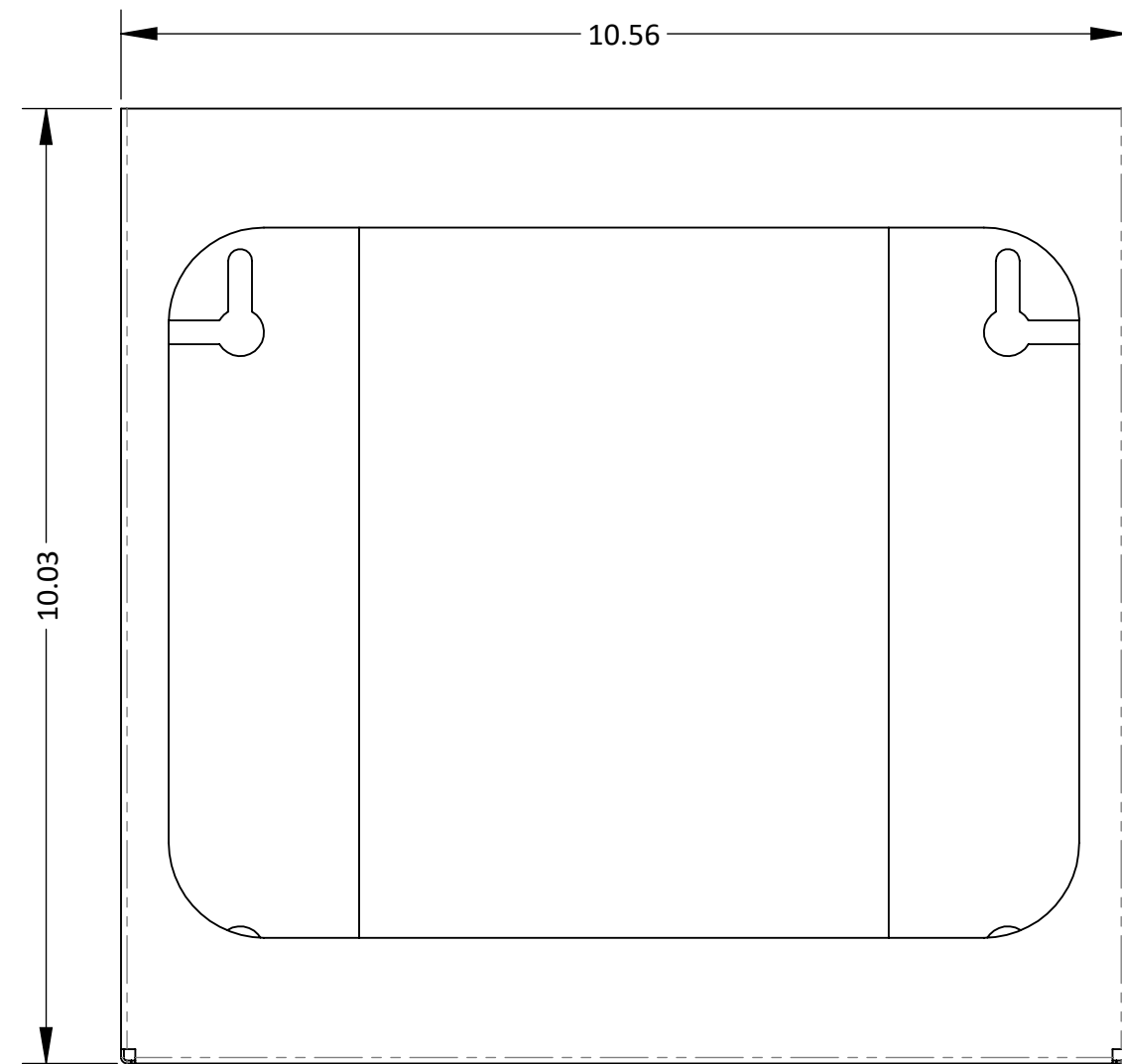
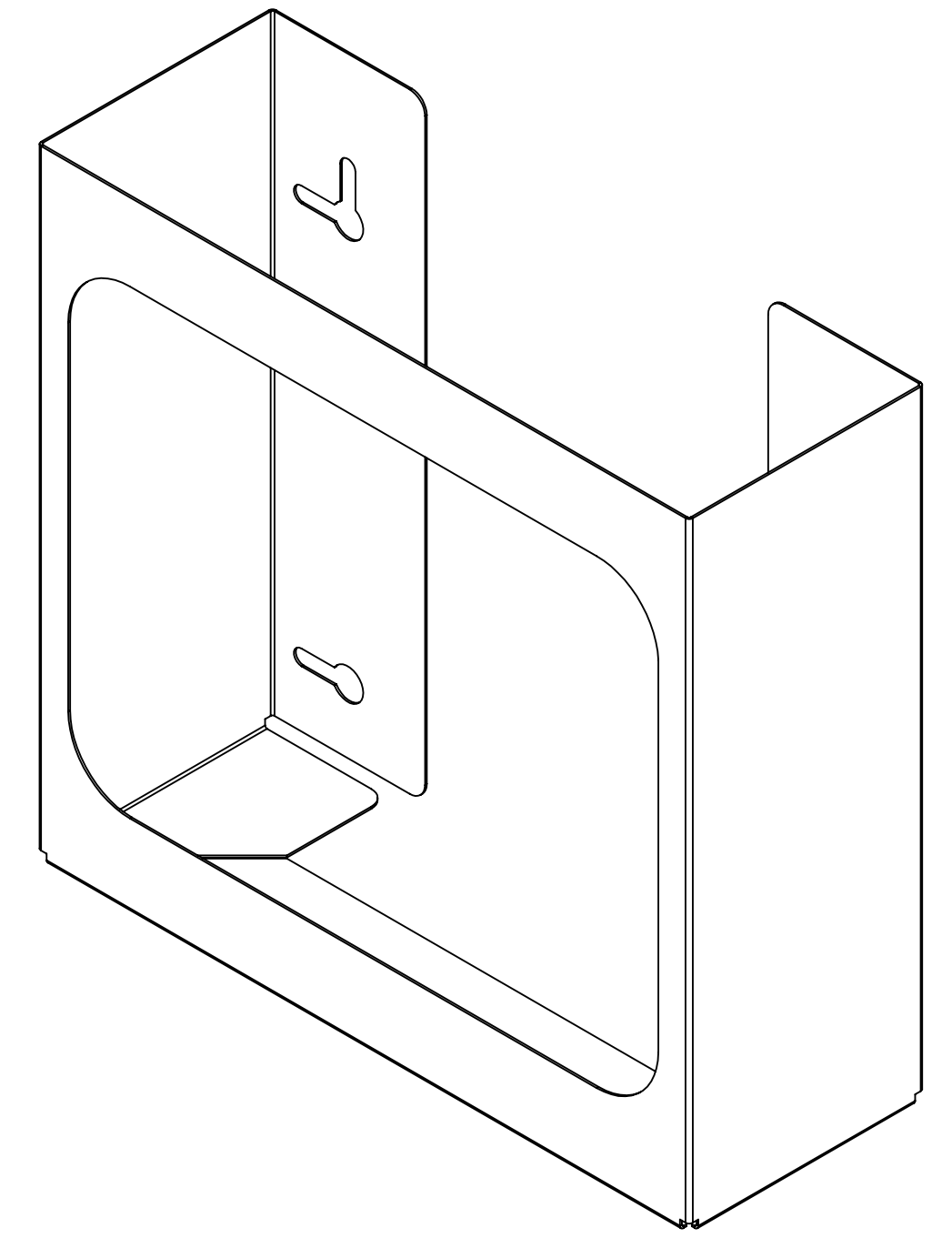
A

D

C

B

A



MATERIAL: Steel	PART NO.: GB-002	<table border="1"> <tr> <td>SIZE D</td> <td>TOLERANCE .XX = ± .03 .XXX = ± .010</td> </tr> <tr> <td>SCALE 1:2</td> <td>REV E</td> </tr> </table>	SIZE D	TOLERANCE .XX = ± .03 .XXX = ± .010	SCALE 1:2	REV E
SIZE D	TOLERANCE .XX = ± .03 .XXX = ± .010					
SCALE 1:2	REV E					
FINISH: White Powder-Coated	TITLE: GLOVE BOX DISPENSER - DOUBLE	<table border="1"> <tr> <td>ANGULAR = ± 1°</td> <td>SHEET 1 of 1</td> </tr> </table>	ANGULAR = ± 1°	SHEET 1 of 1		
ANGULAR = ± 1°	SHEET 1 of 1					
BOWMAN  Dispensers		BOWMAN Dispensers 20325 71st Ave NE, Ste D Arlington, WA 98223				

8

7

6

5

4

3

2

1

FILE NAME: GB-002_ARCAT_SLDDRW