

8

7

6

5

4

3

DWG No. GB-003

SH 1 REV H

1

D

C

B

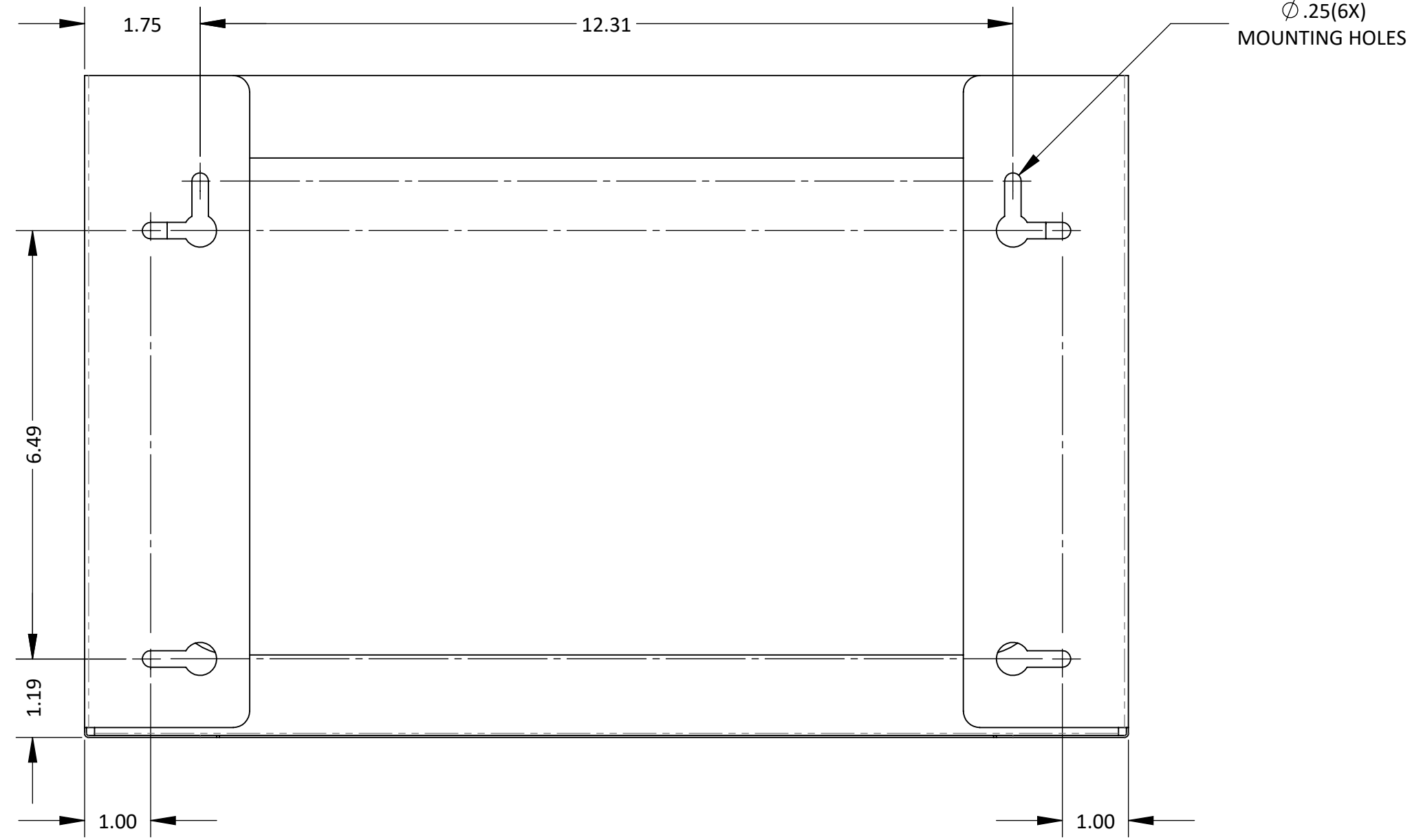
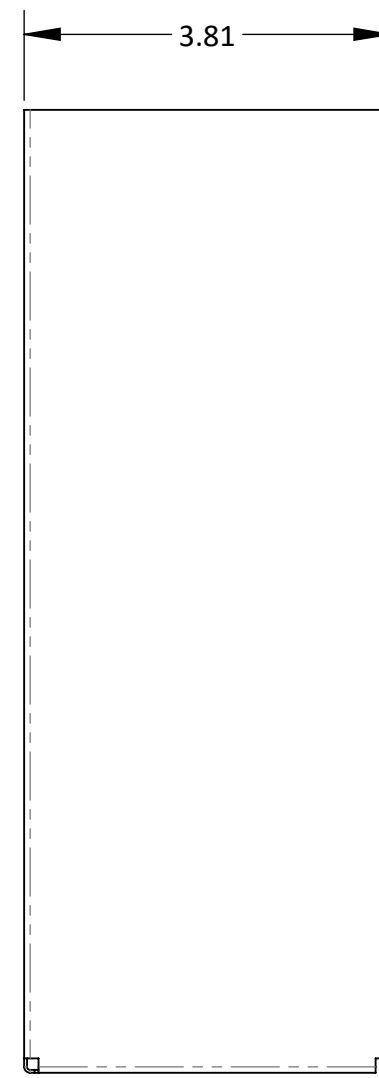
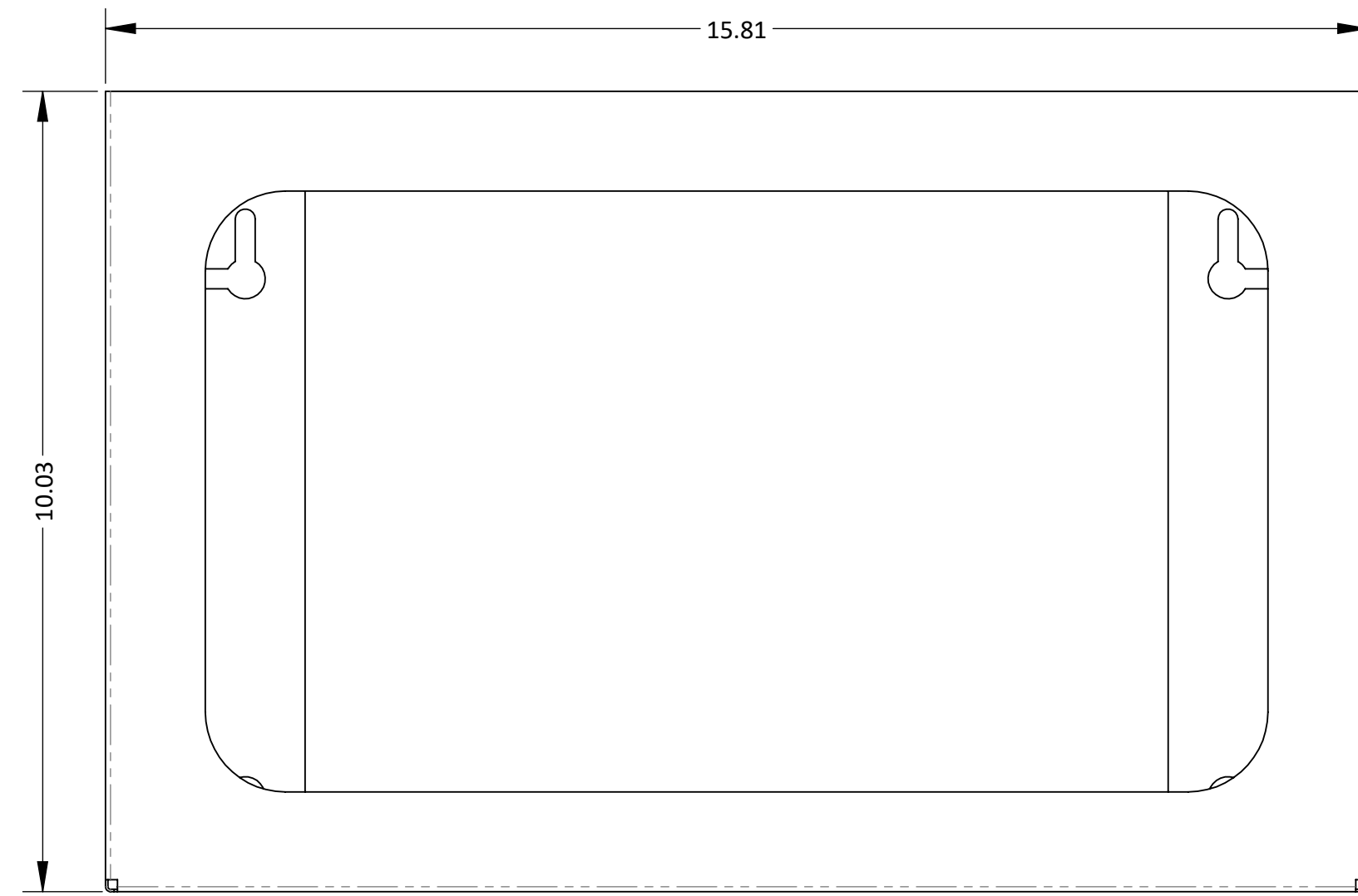
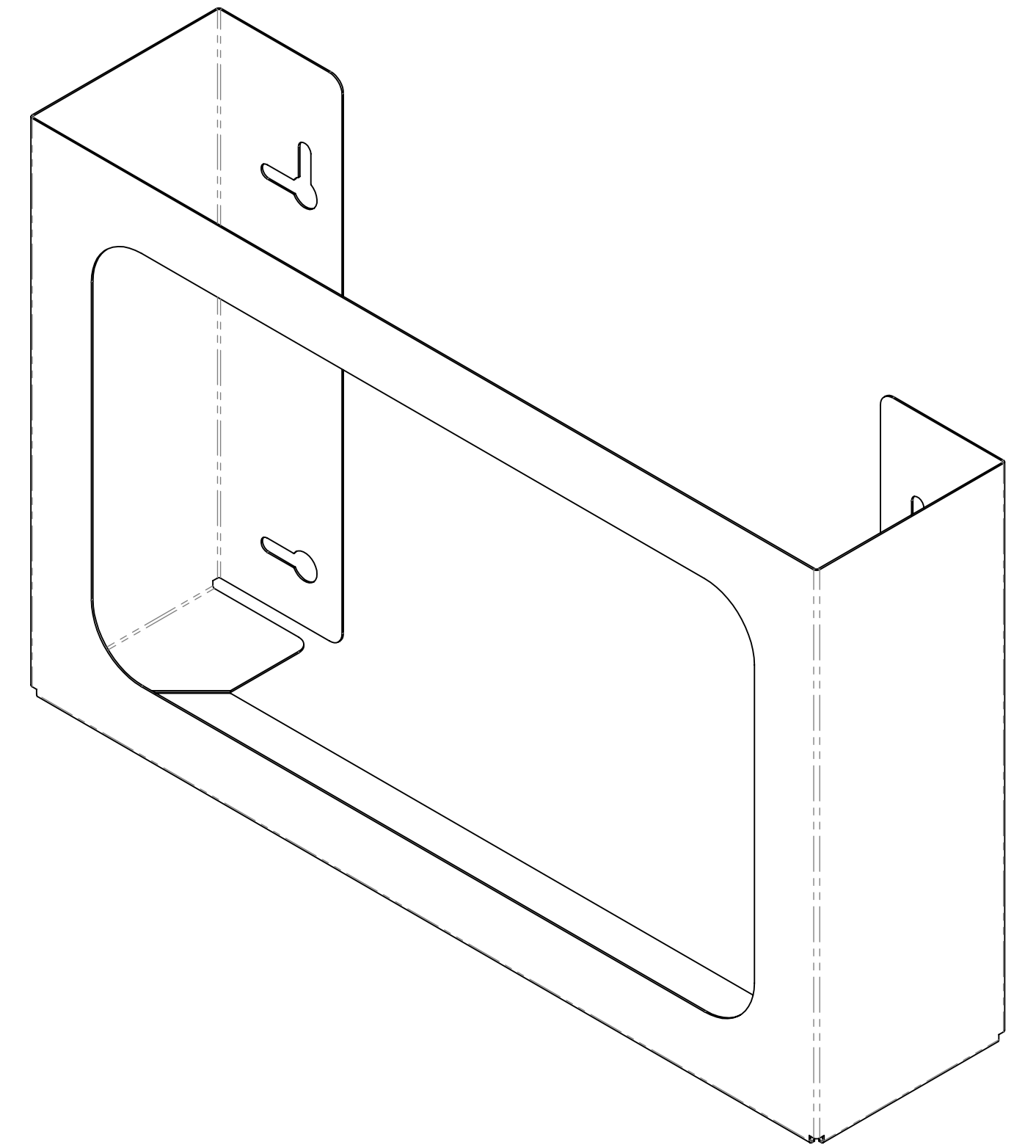
A


D

C

B

A



MATERIAL: Steel	PART NO.: GB-003	SIZE D	TOLERANCE .XX = ± .03 .XXX = ± .010 ANGULAR = ± 1°
FINISH: White Powder-Coated	TITLE: GLOVE BOX DISPENSER - TRIPLE	SCALE 1:2	REV H
BOWMAN®  Dispensers		BOWMAN Dispensers 20325 71st Ave NE, Ste D Arlington, WA 98223	SHEET 1 of 1

8

7

6

5

4

3

2

1

FILE NAME: GB-003_ARCAT_SLDDRW