

8

7

6

5

4

3

DWG No. GL003-0413

SH 1 REV A

1

D

D

C

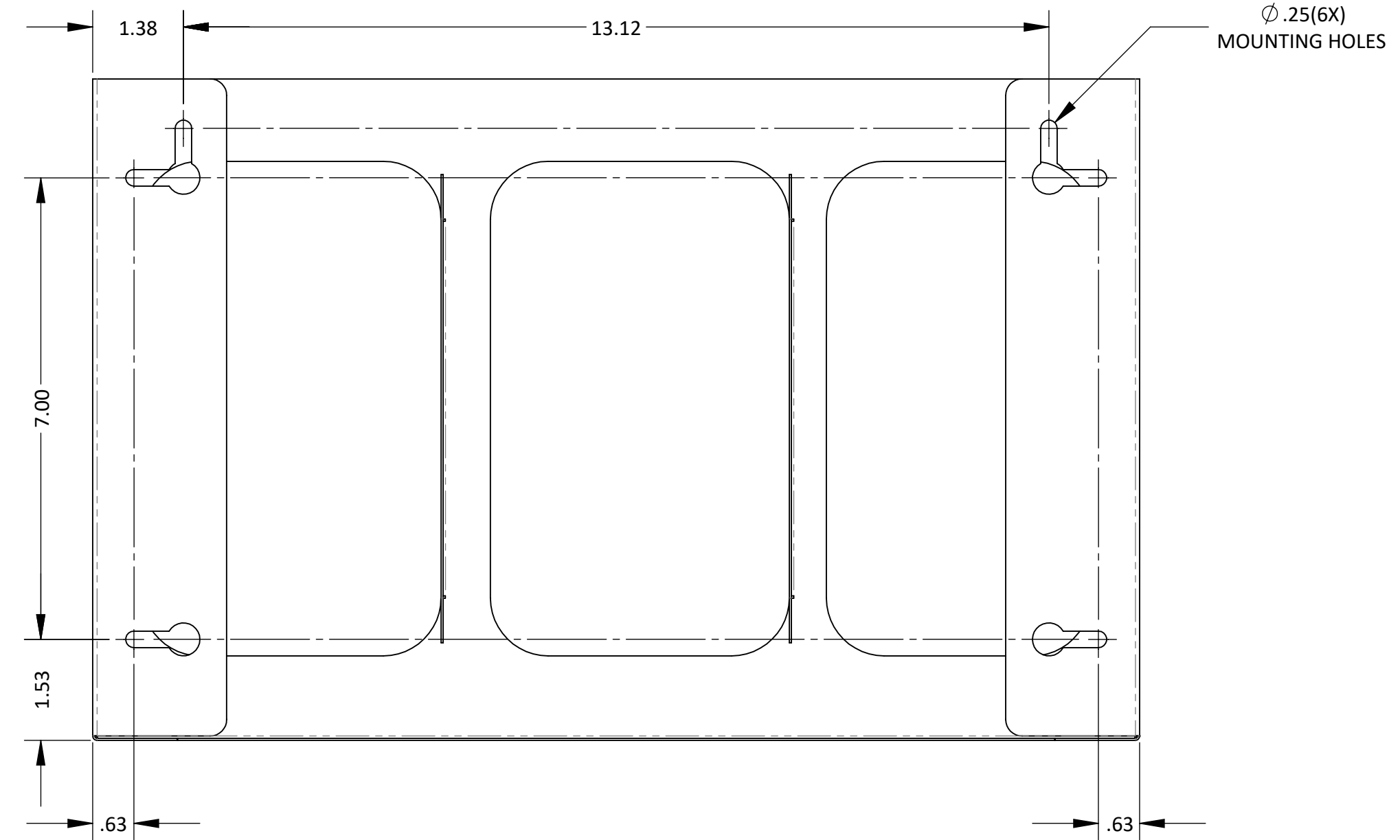
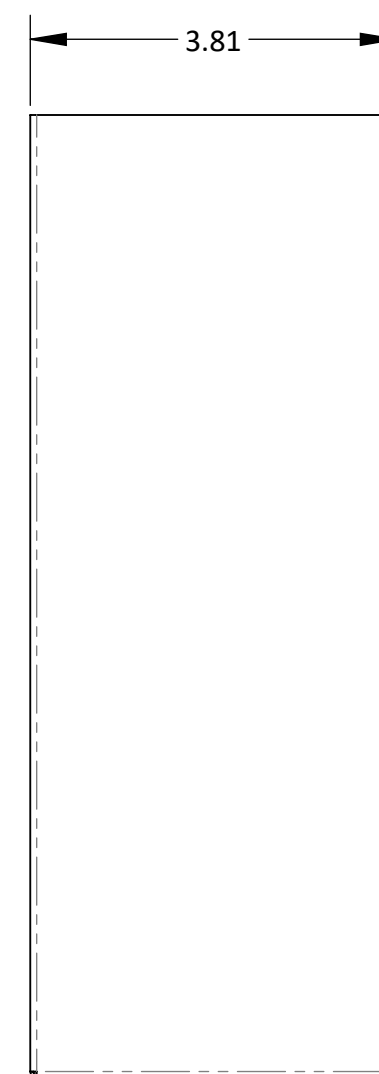
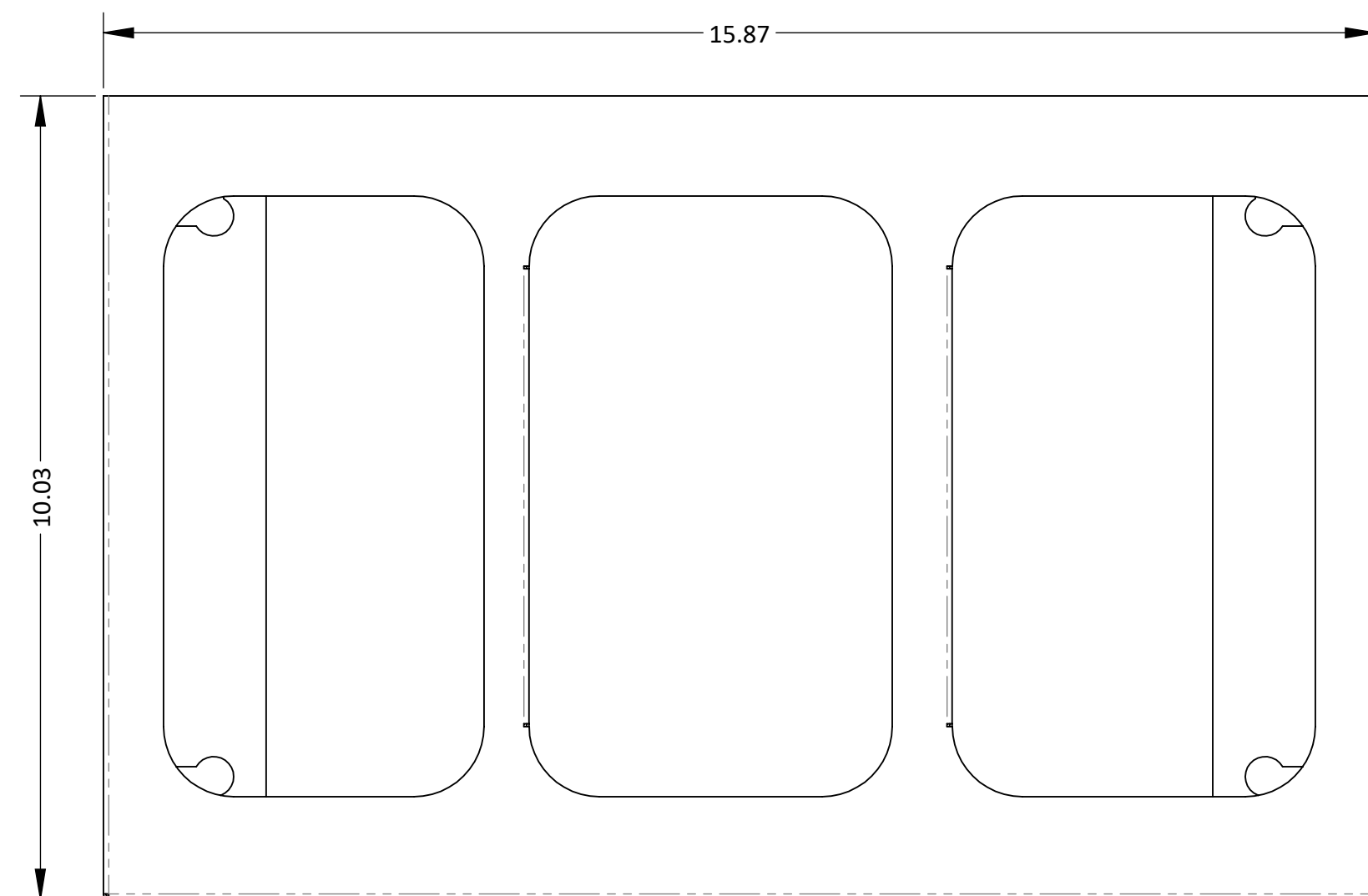
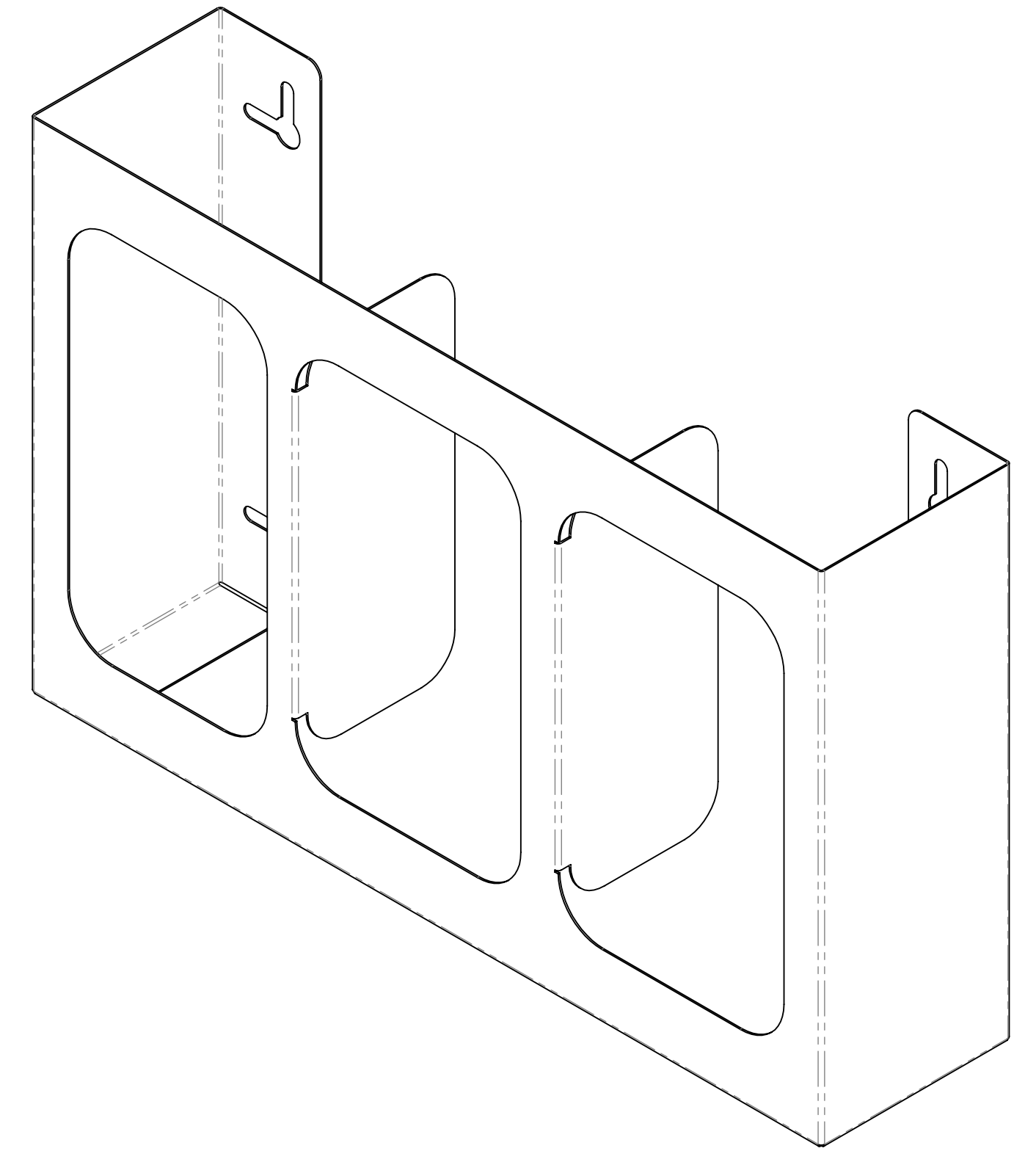
C

B

B

A

A



MATERIAL: Steel	PART NO.: GL003-0413	SIZE D	TOLERANCE .XX = ± .03 .XXX = ± .010 ANGULAR = ± 1°
FINISH: White Powder-Coated	TITLE: GLOVE BOX DISPENSER - TRIPLE WITH DIVIDERS	SCALE 1:2	REV A
BOWMAN Dispensers	BOWMAN Dispensers 20325 71st Ave NE, Ste D Arlington, WA 98223	SHEET 1 of 1	

FILE NAME: GL003-0413_ARCAT_SLIDRW