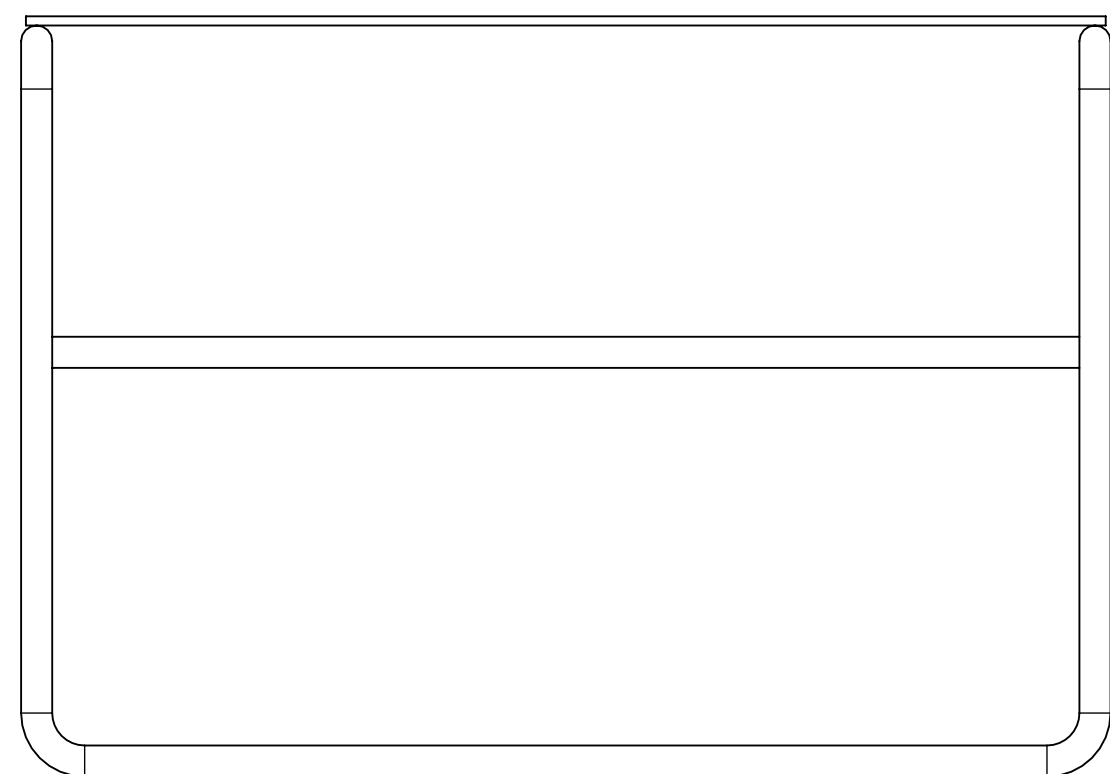
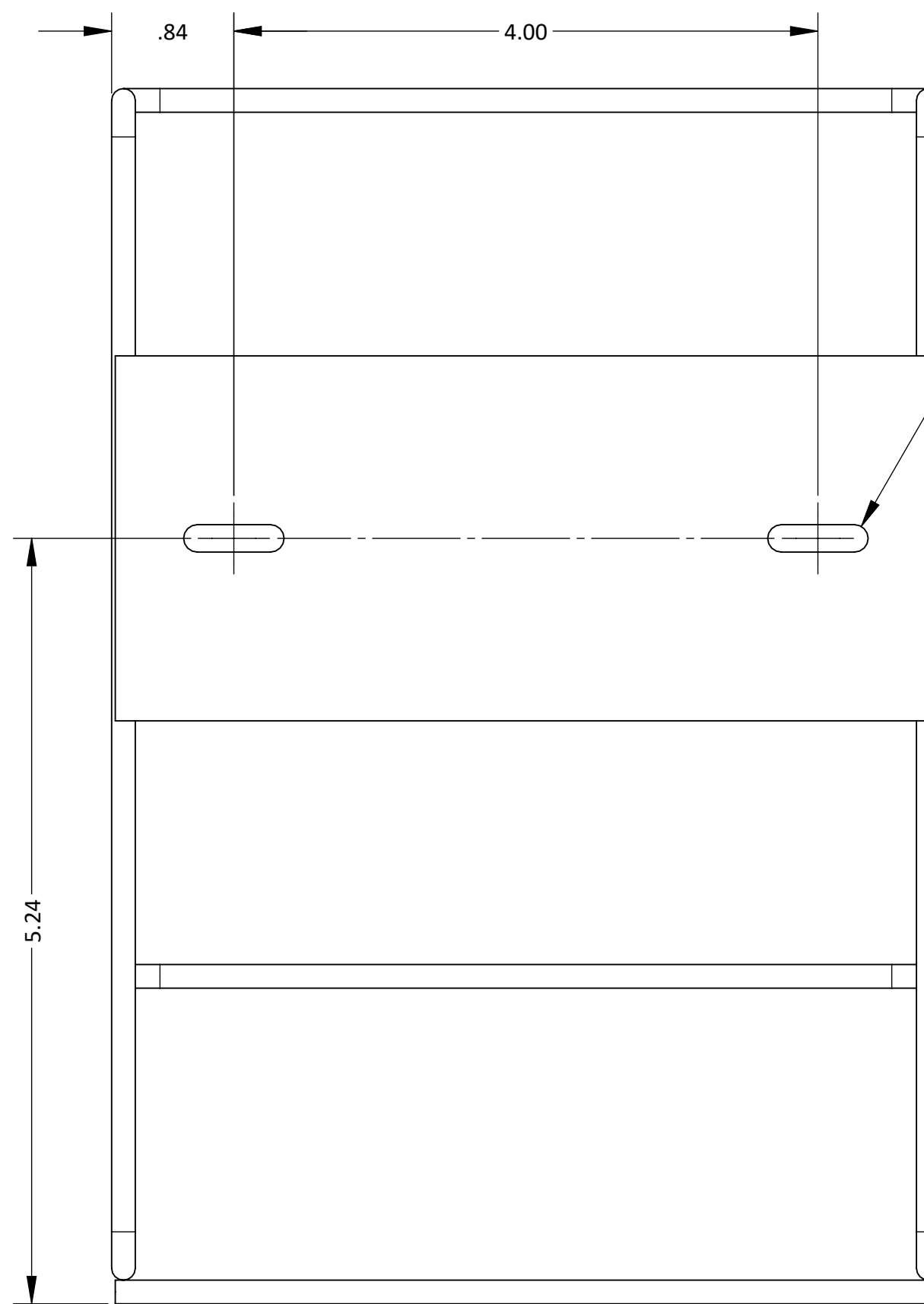
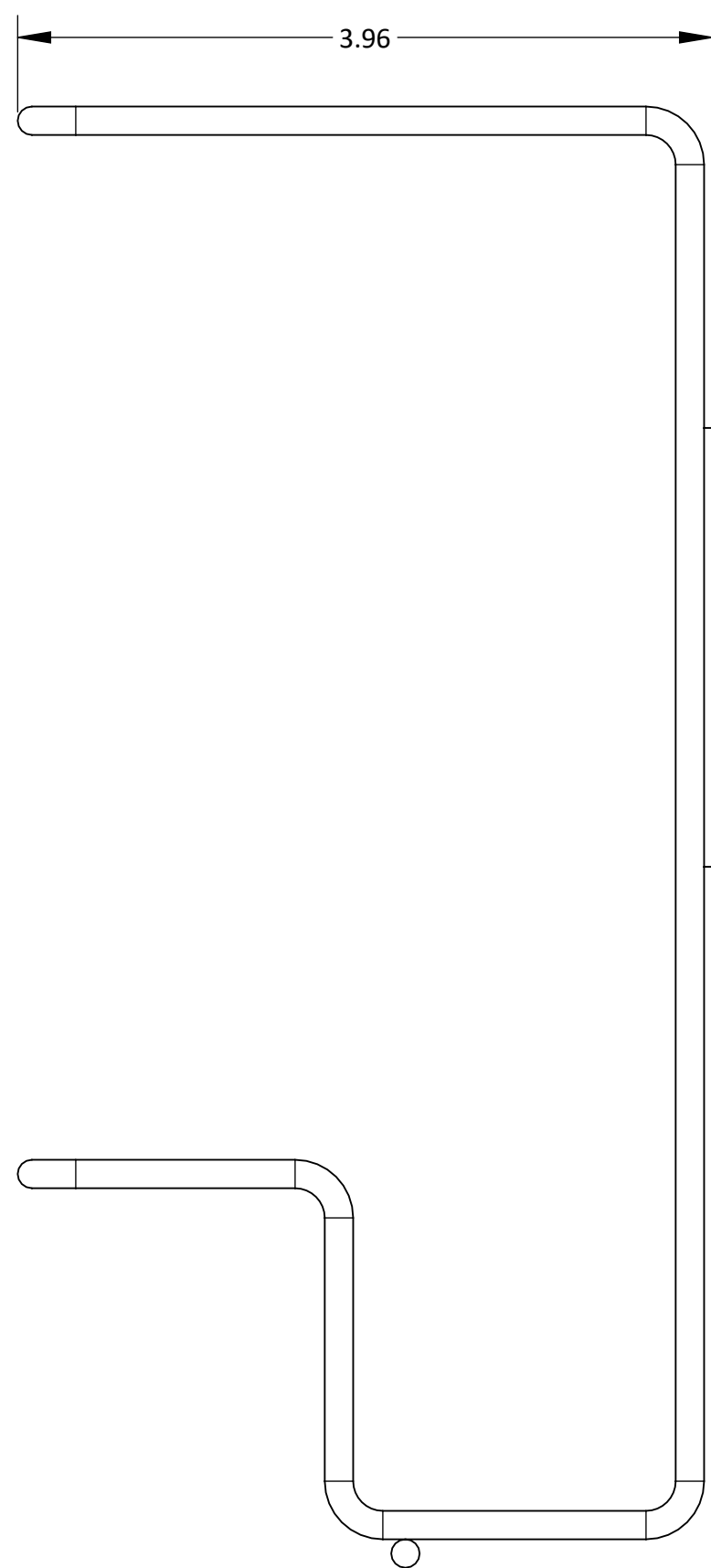
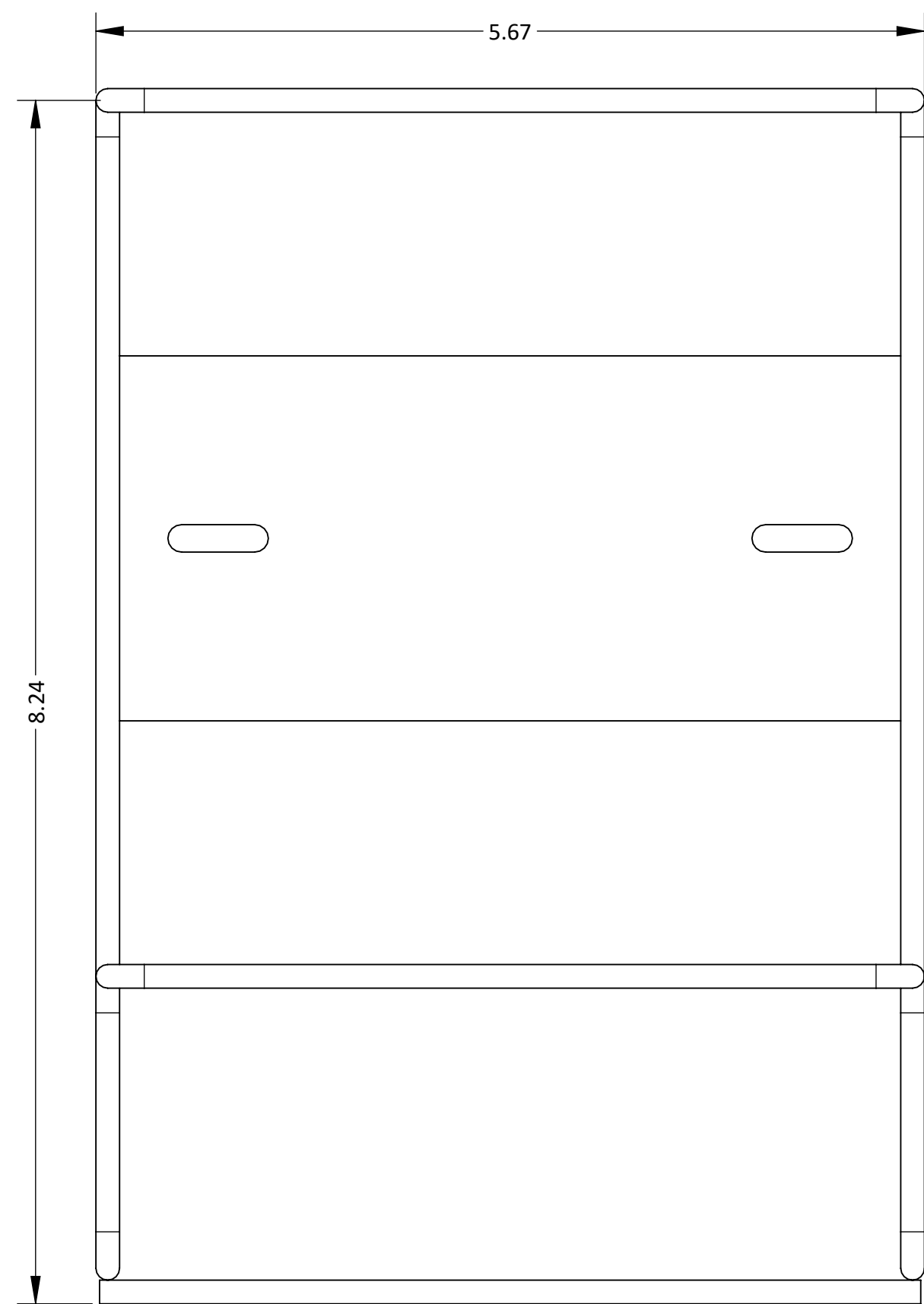


.19 X .69(2X)  
MOUNTING HOLES

MATERIAL: Coated-Wire	PART NO.: <b>GL011-0613</b>	SIZE <b>D</b>	TOLERANCE .XX = ± .03 .XXX = ± .010 ANGULAR = ± 1°
FINISH: White	TITLE: GLOVE BOX DISPENSER - SINGLE - COATED WIRE	SCALE 1:1	REV <b>B</b>
<b>BOWMAN®</b>  Dispensers		BOWMAN Dispensers 20325 71st Ave NE, Ste D Arlington, WA 98223	
		SHEET 1 OF 1	

FILE NAME: GL011-0613\_ARCAT\_SLIDDRW



8

7

6

5

4

3

D

C

B

A

D

C

B

A

8

7

6

5

4

3

2

1