

D

C

B

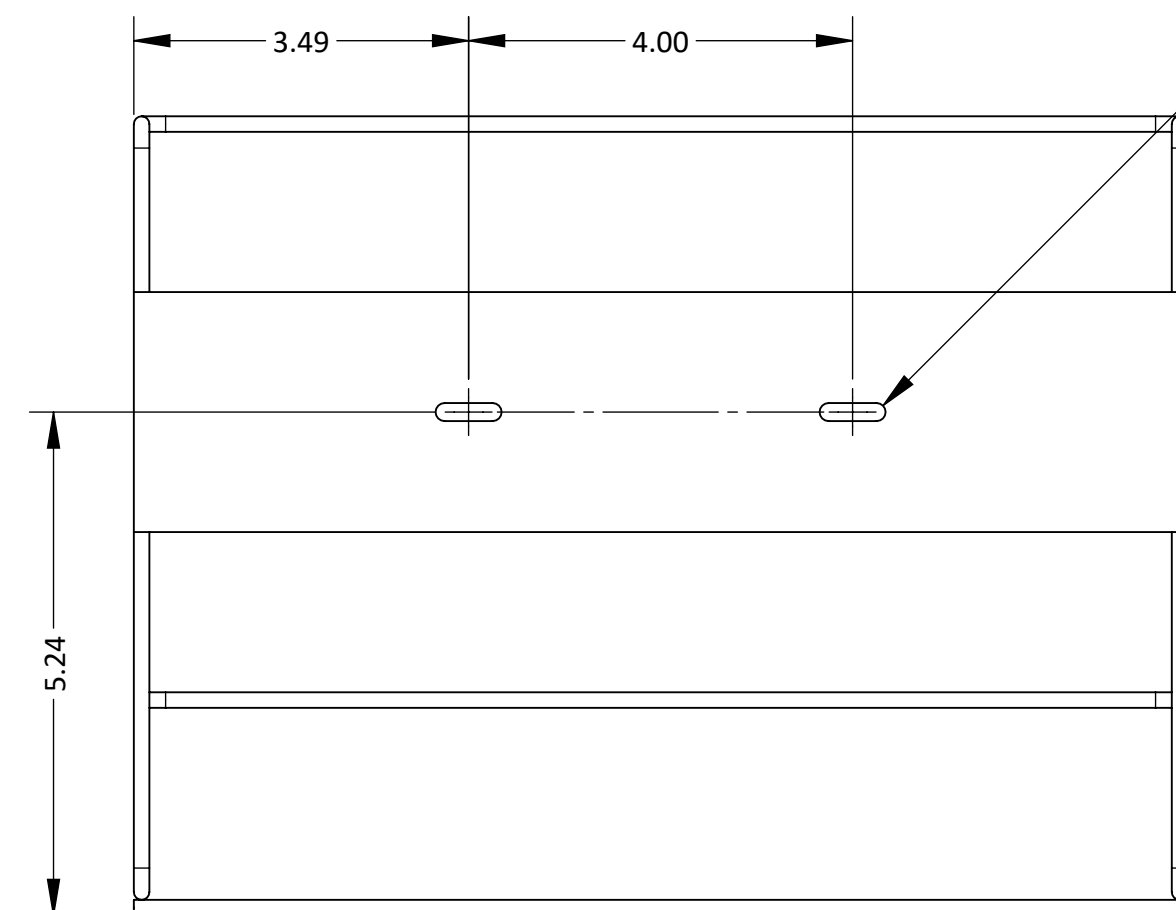
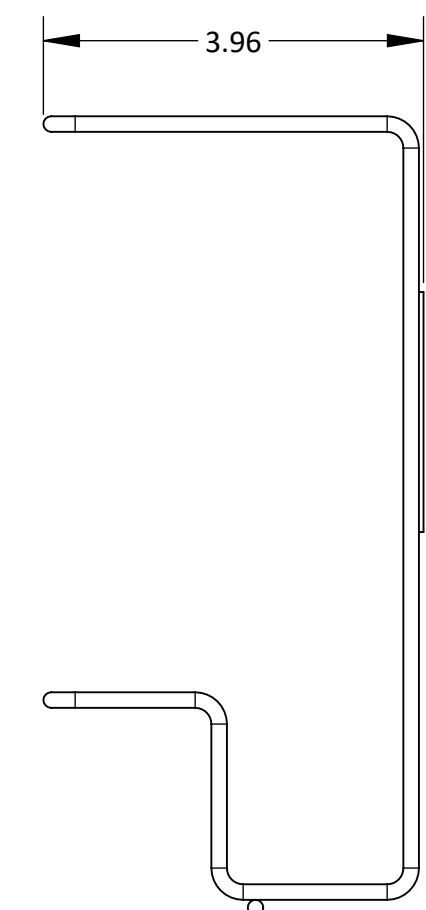
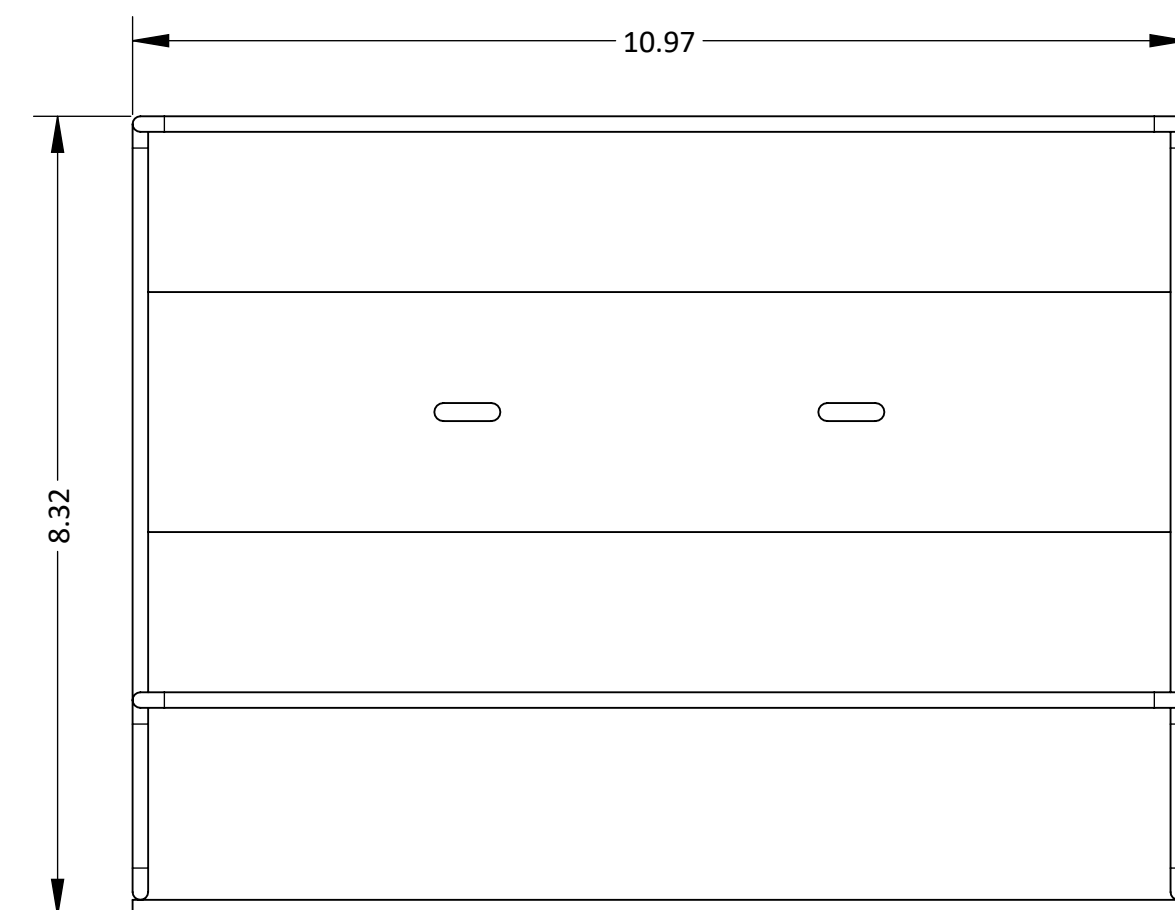
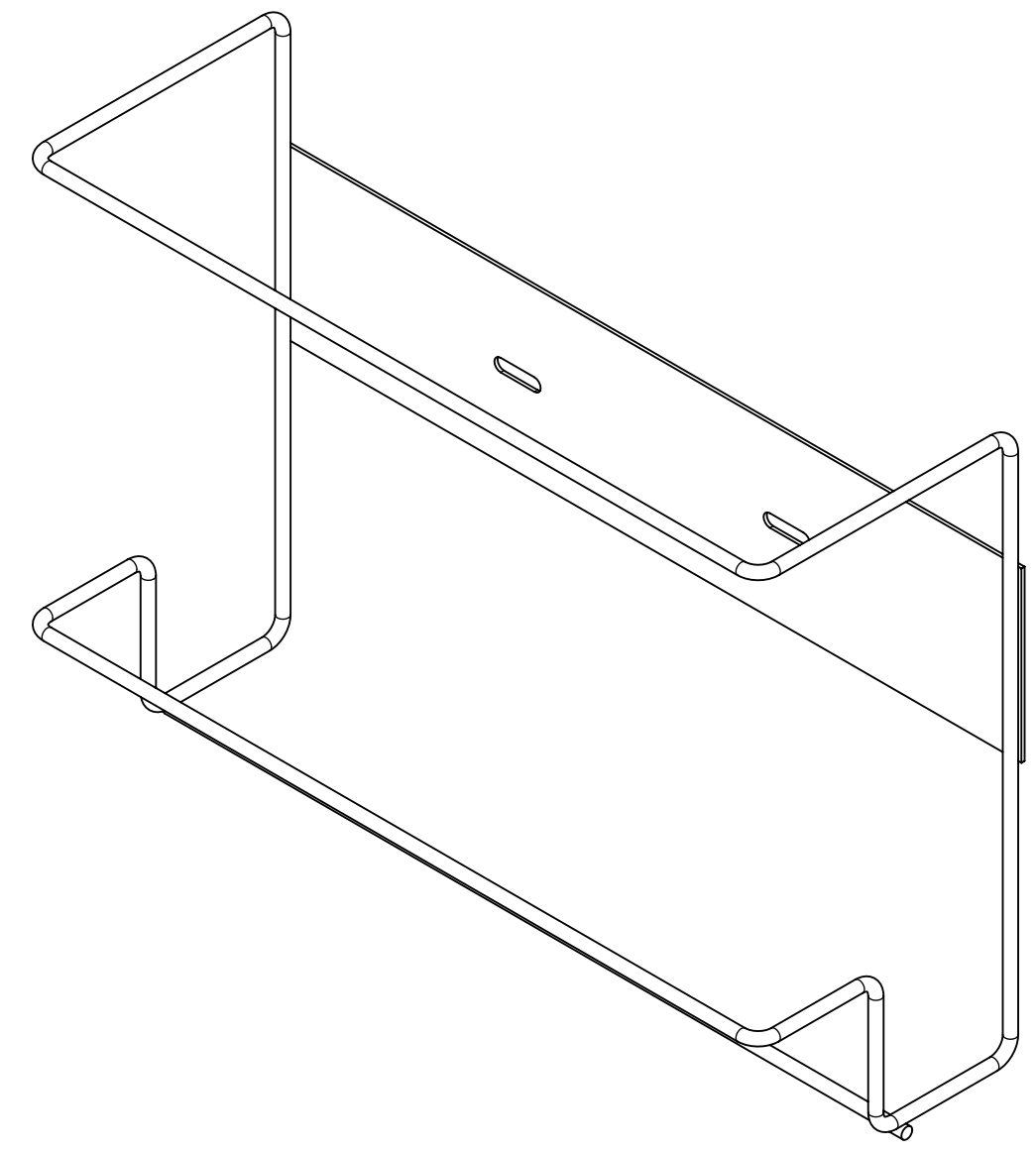
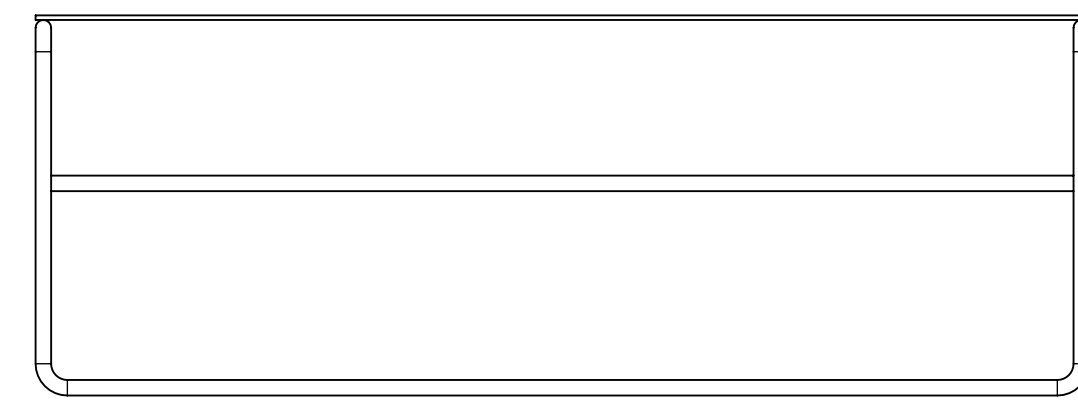
A

D

C

B

A



.19 X .69(2X)
MOUNTING HOLES

MATERIAL: Coated-Wire	PART NO.: GL022-0613	SIZE D	TOLERANCE .XX = ± .03 .XXX = ± .010 ANGULAR = ± 1°
FINISH: White	TITLE: GLOVE BOX DISPENSER - DOUBLE - COATED WIRE	SCALE 1:2	REV B
BOWMAN  Dispensers		BOWMAN Dispensers 20325 71st Ave NE, Ste D Arlington, WA 98223	SHEET 1 OF 1

FILE NAME: GL022-0613_ARCAT_SLIDDRW