

D

D

C

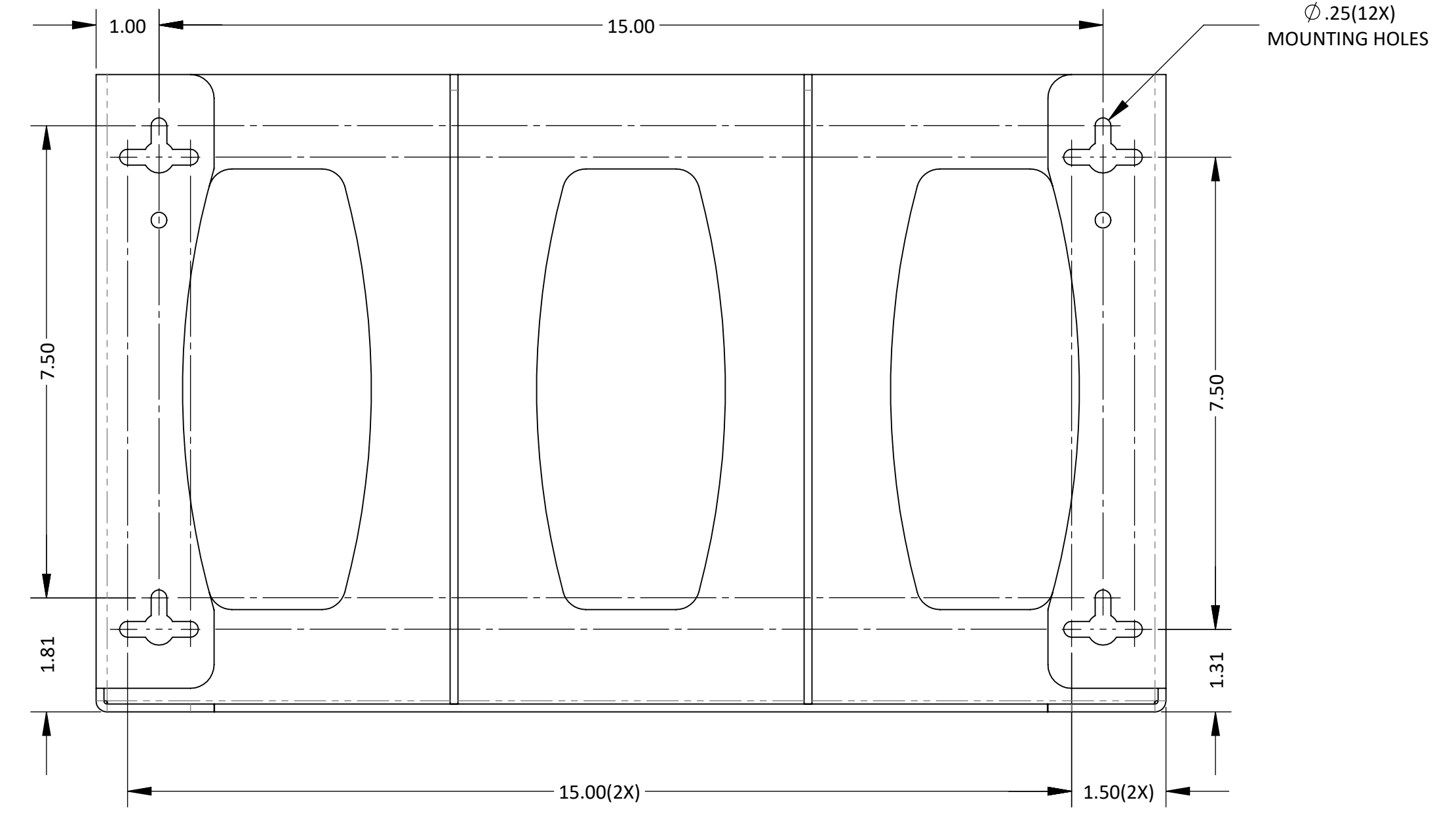
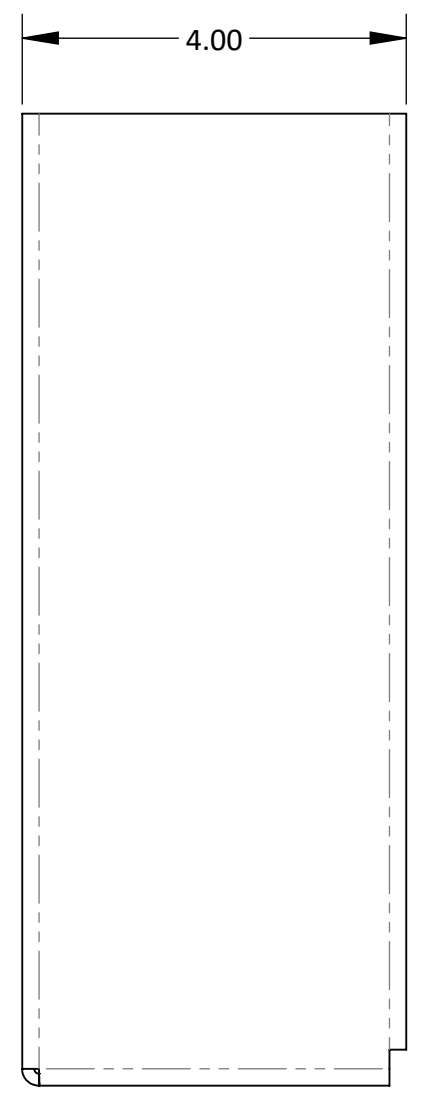
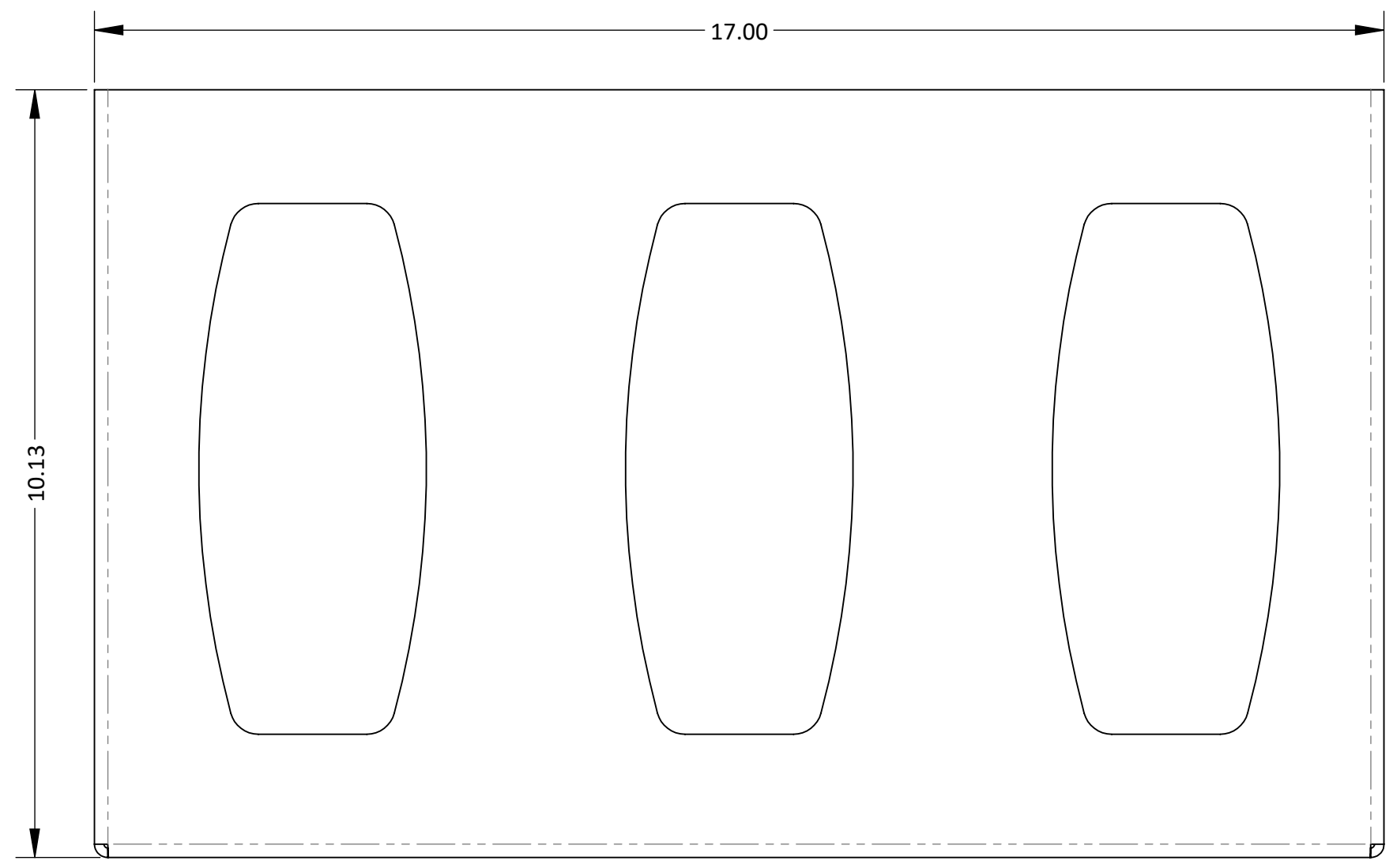
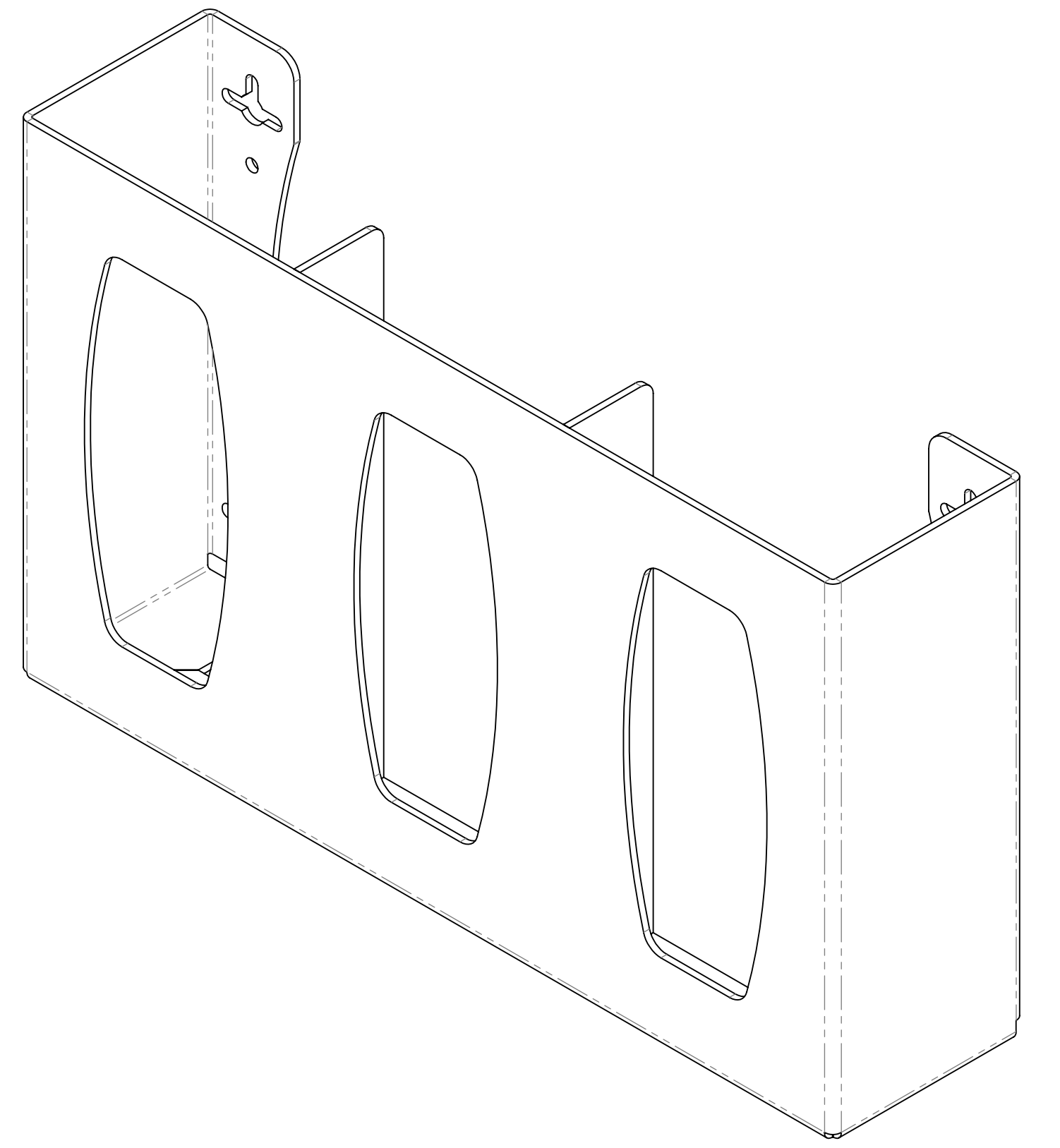
C

B

B

A

A



MATERIAL: ABS Plastic	PART NO.: GL030-0233	SIZE D	TOLERANCE .XX = ± .03 .XXX = ± .010 ANGULAR = ± 1°
FINISH: Cherry Fauxwood	TITLE: GLOVE BOX DISPENSER - TRIPLE	SCALE 1:2	REV A
BOWMAN®  Dispersers		BOWMAN Dispensers 20325 71st Ave NE, Ste D Arlington, WA 98223	
		SHEET 1 of 1	

FILE NAME: GL030-0233_ARCAT_SLIDRW