

D

D

C

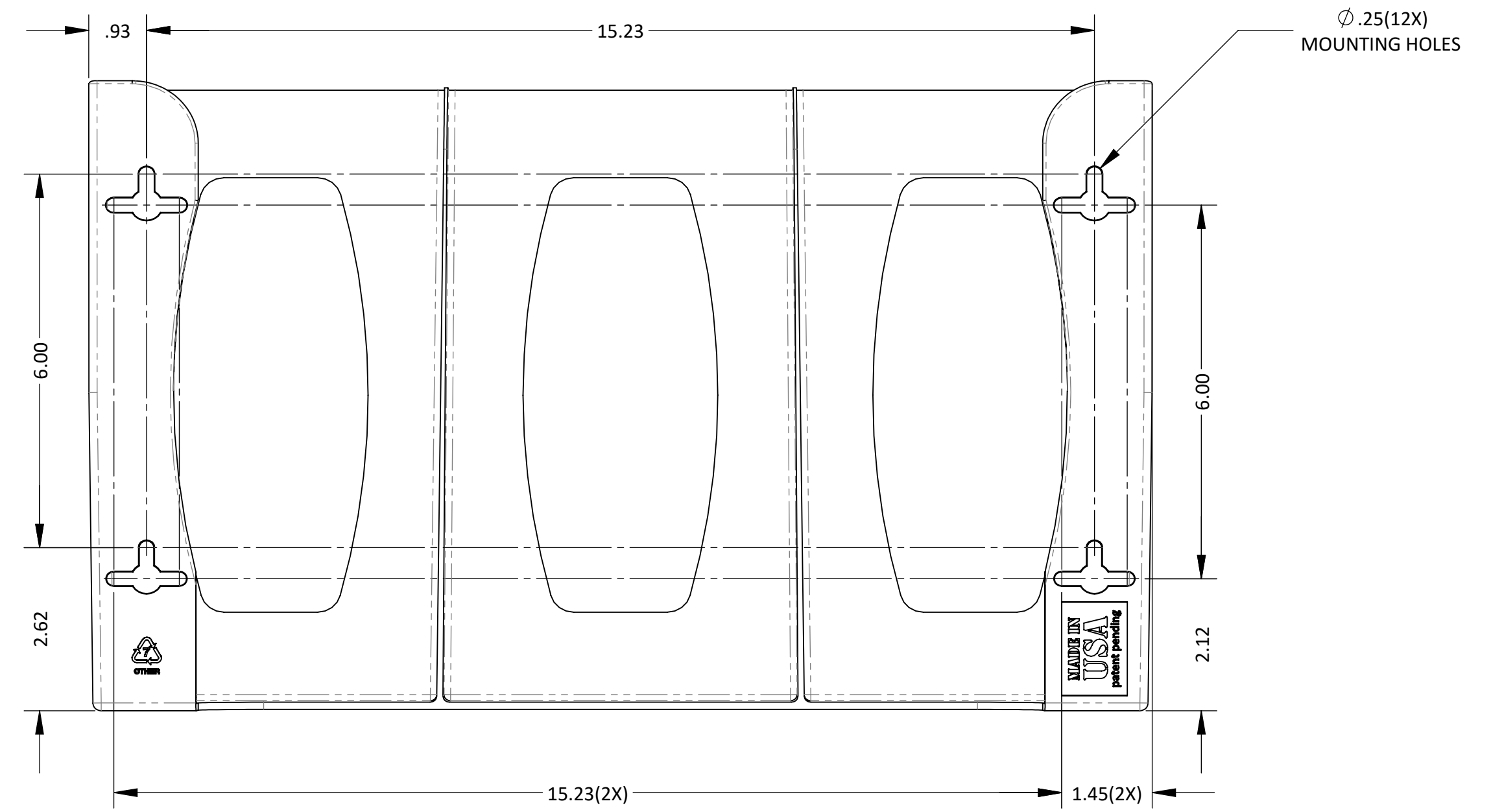
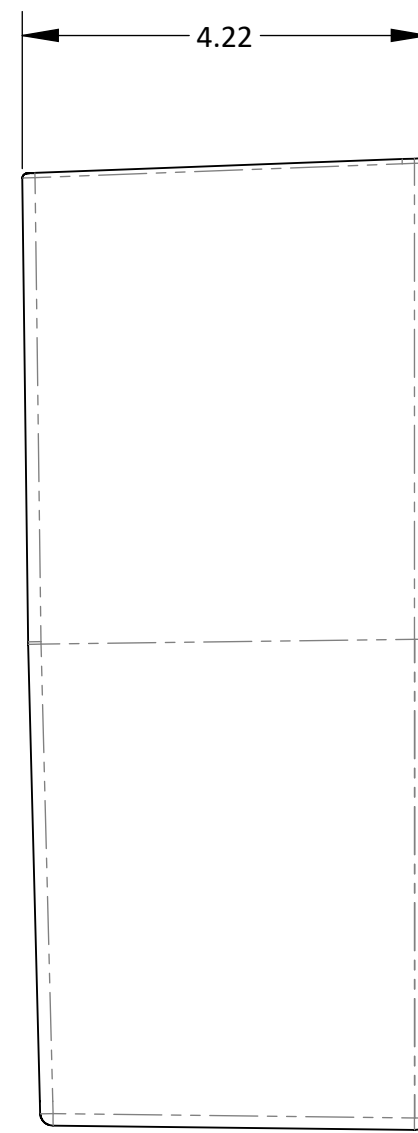
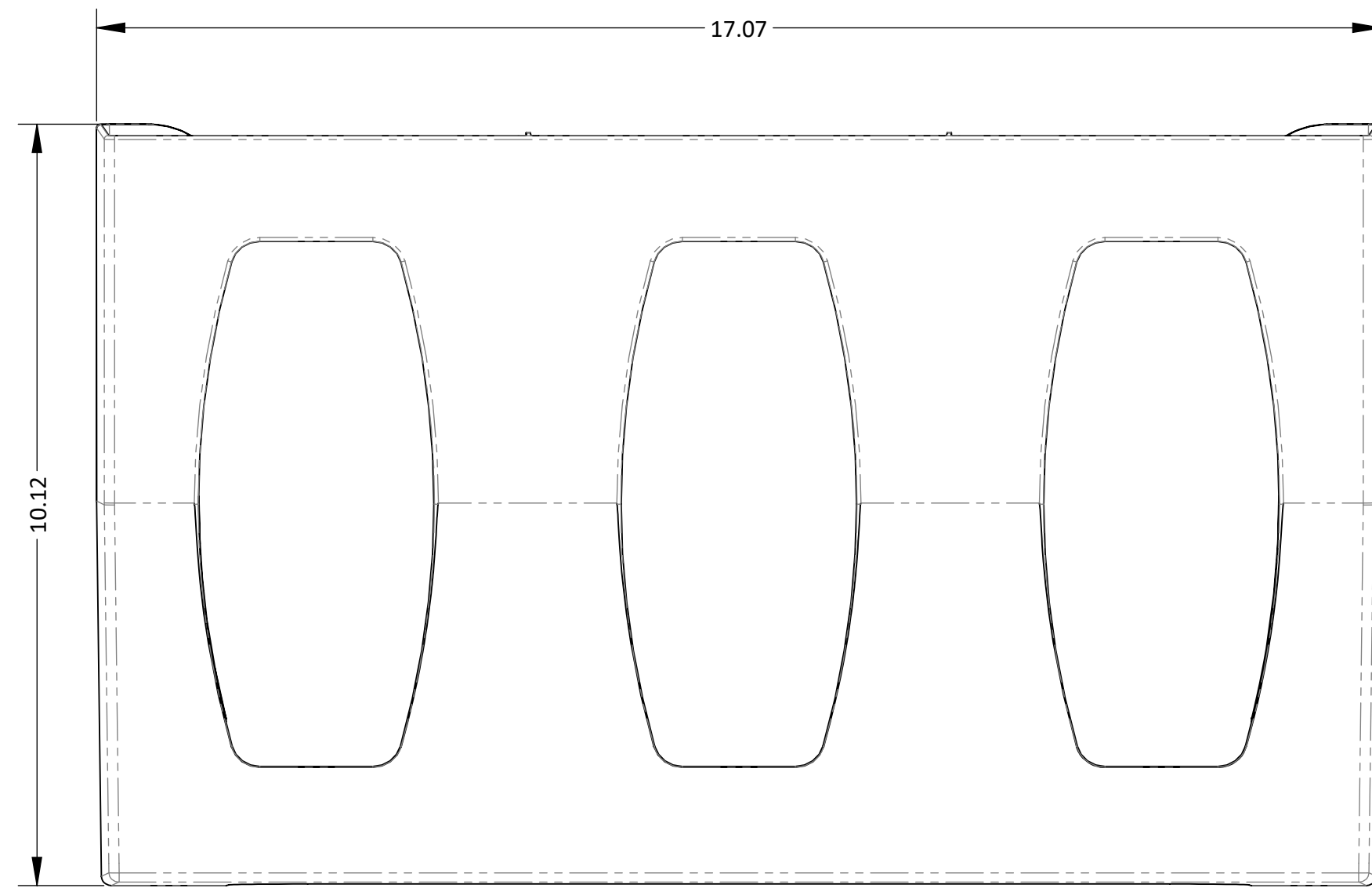
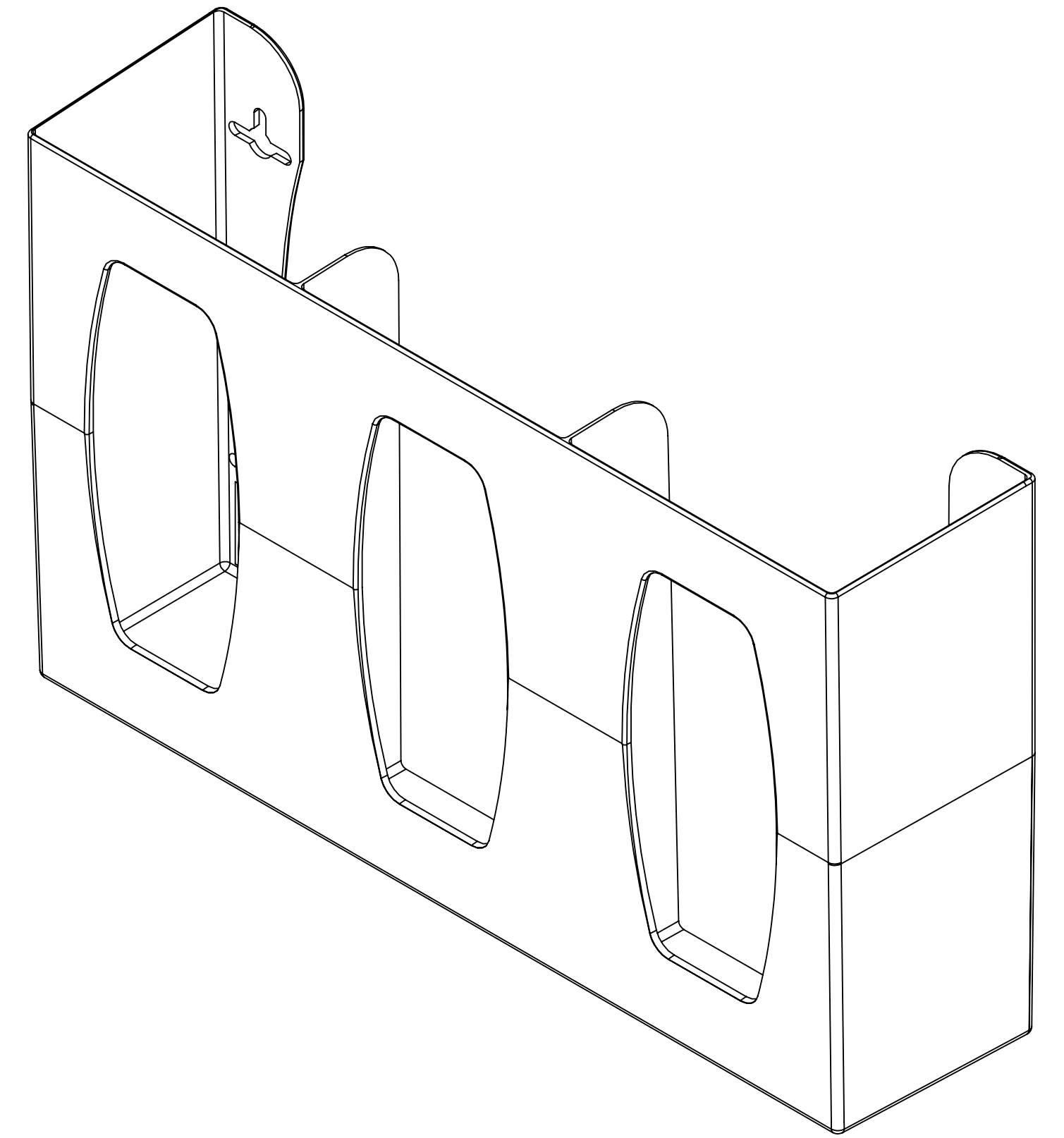
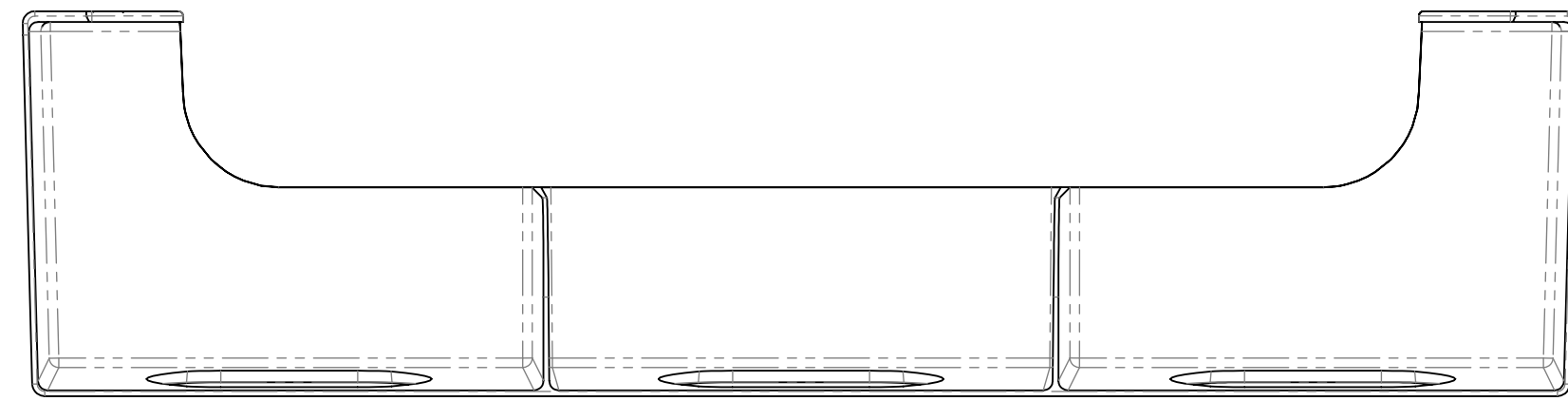
C

B

B

A

A



MATERIAL: Injection Molded ABS Plastic	PART NO.: GL300-0212	SIZE D	TOLERANCE .XX = ± .03 .XXX = ± .010 ANGULAR = ± 1°
FINISH: Quartz Beige	TITLE: GLOVE BOX DISPENSER - TRIPLE WITH DIVIDERS	SCALE 1:2	REV A
BOWMAN Dispensers	BOWMAN Dispensers 20325 71st Ave NE, Ste D Arlington, WA 98223	SHEET 1 of 1	

FILE NAME: GL300-0212_ARCAT_SLIDDRW