

D

D

C

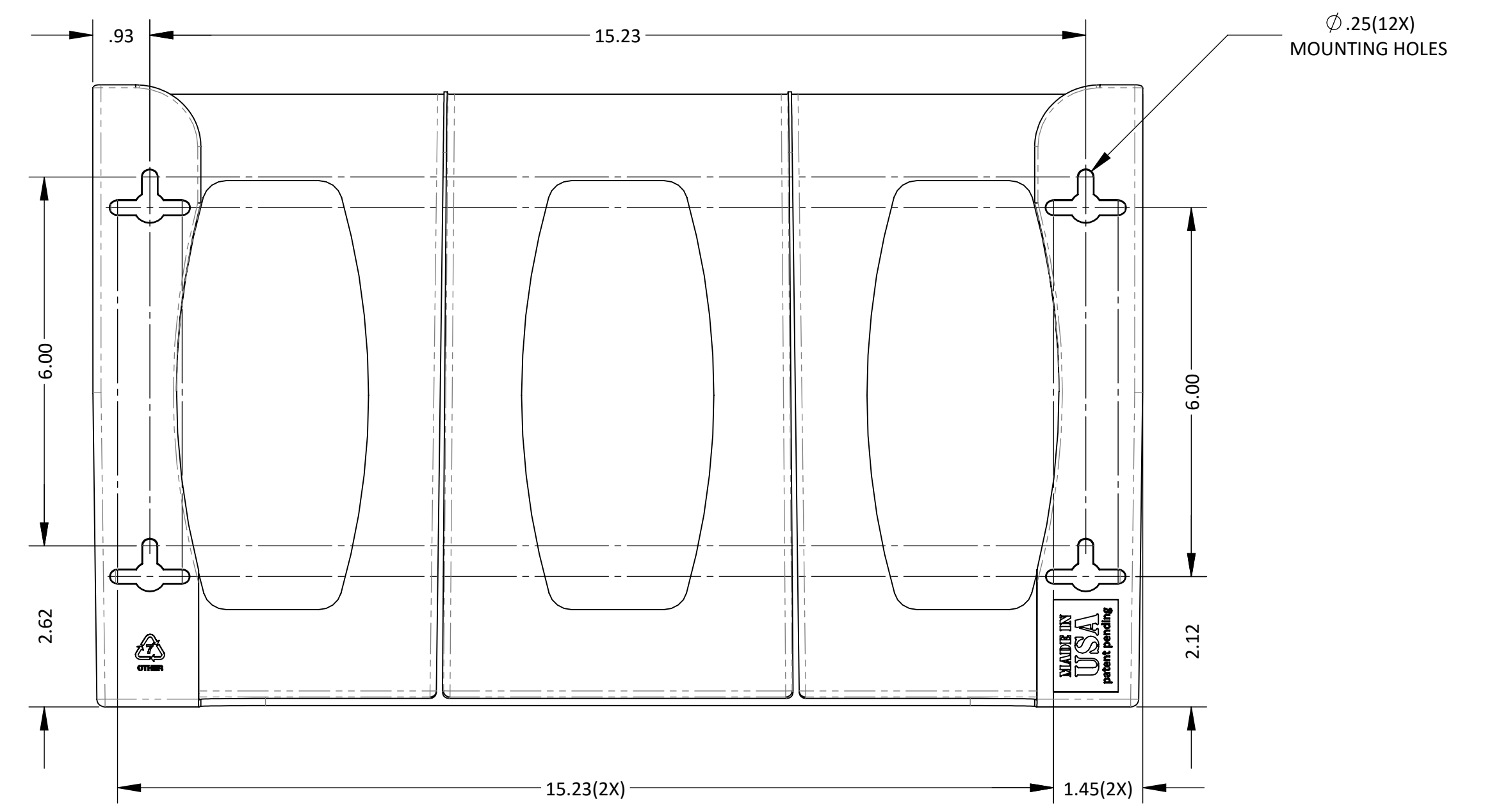
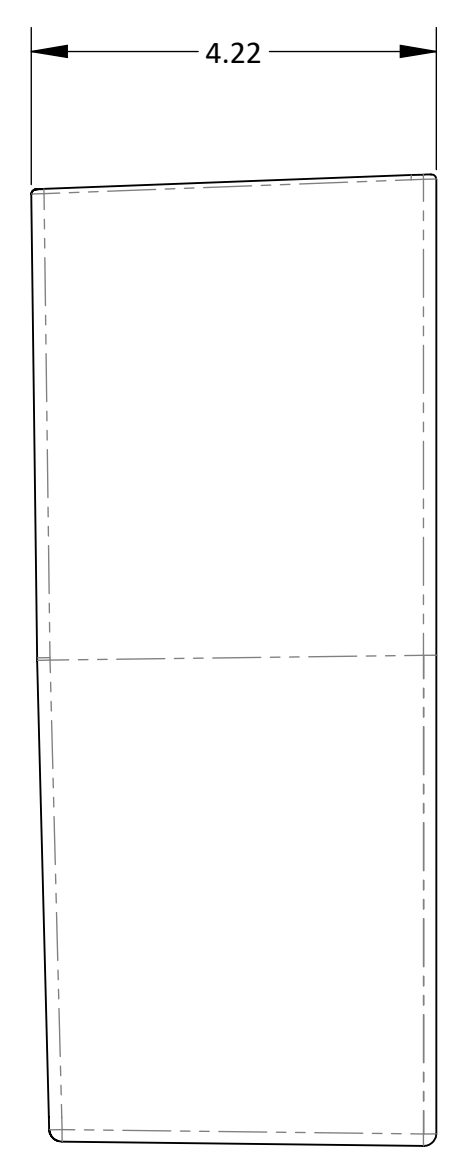
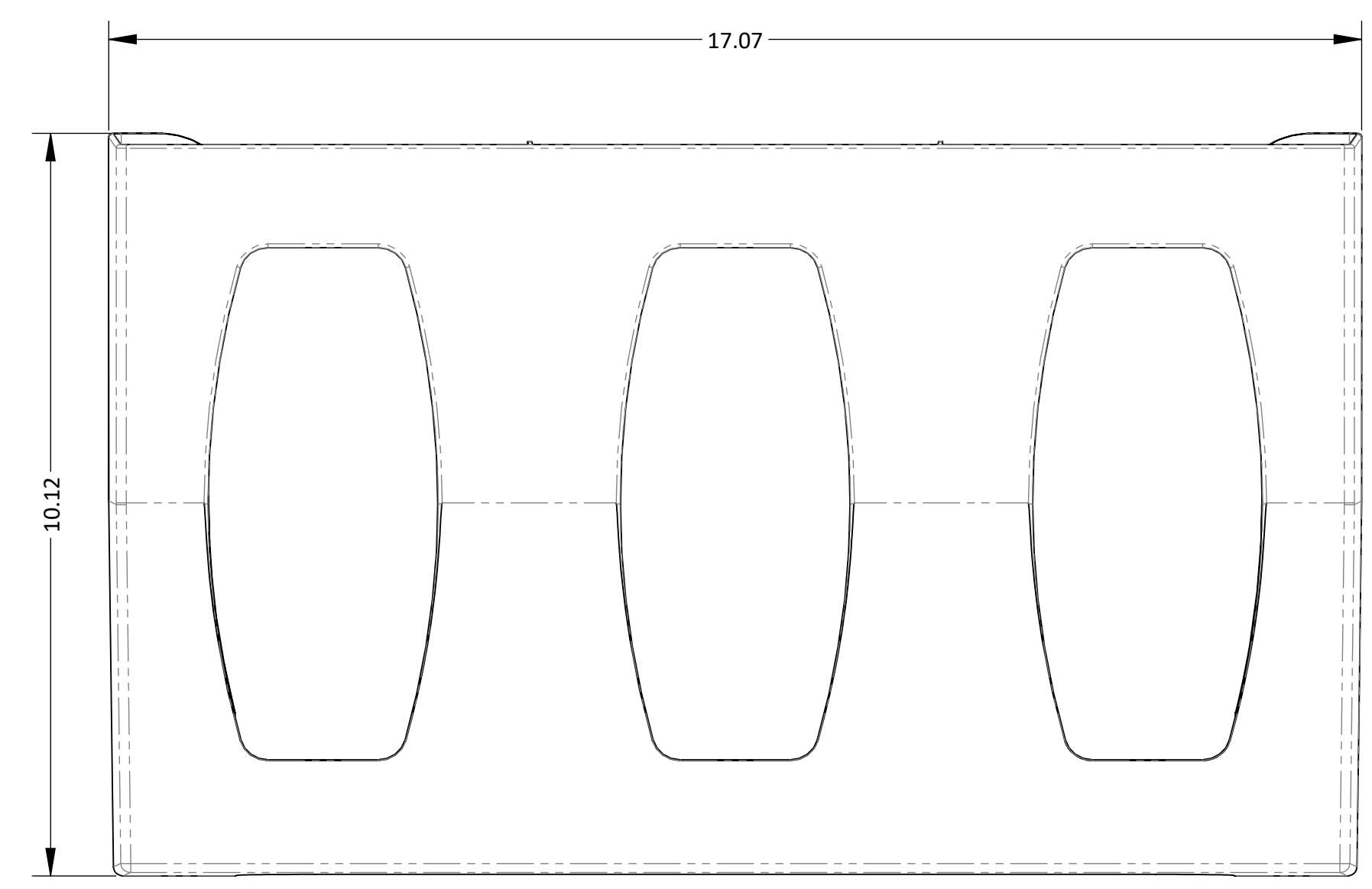
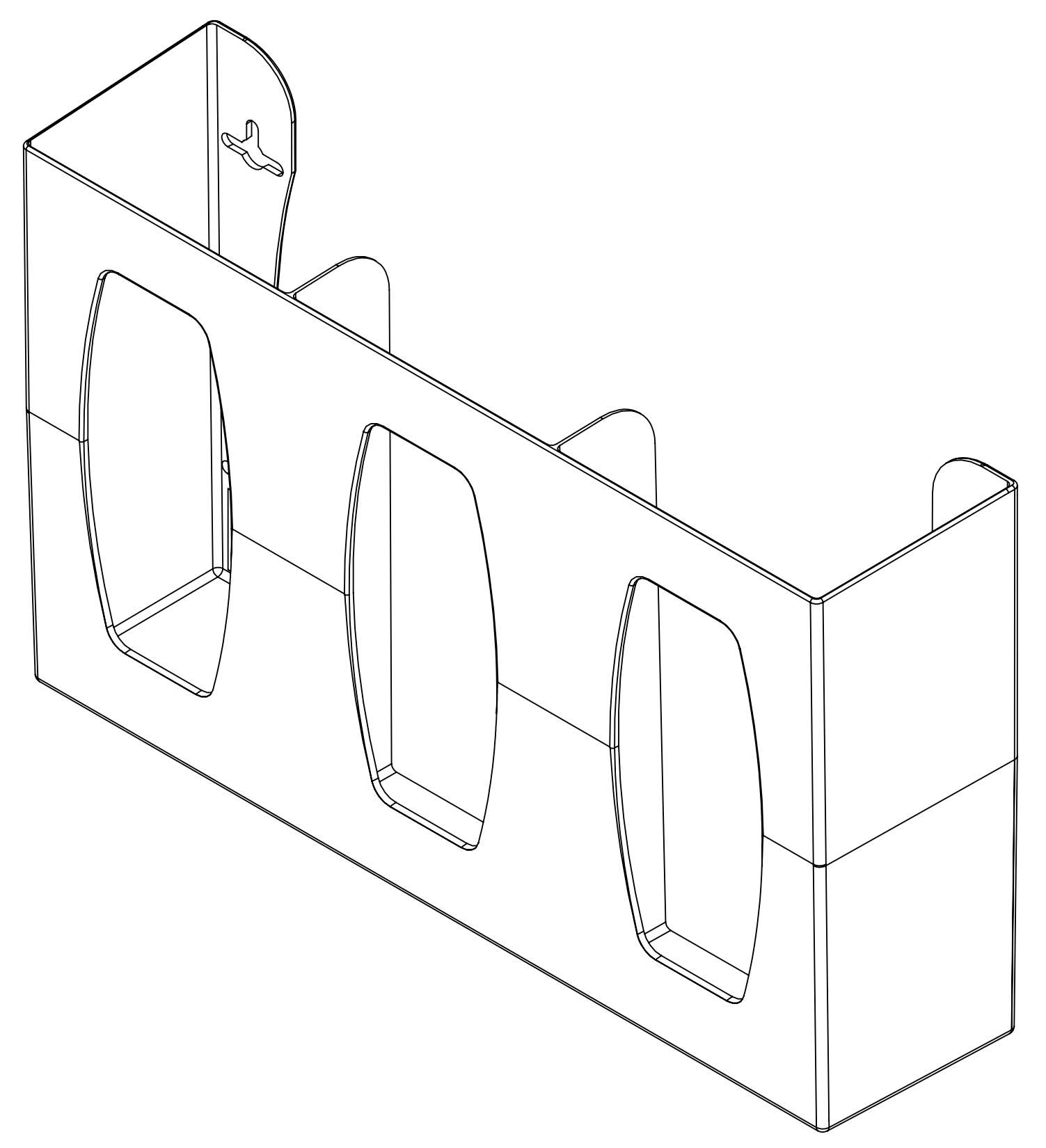
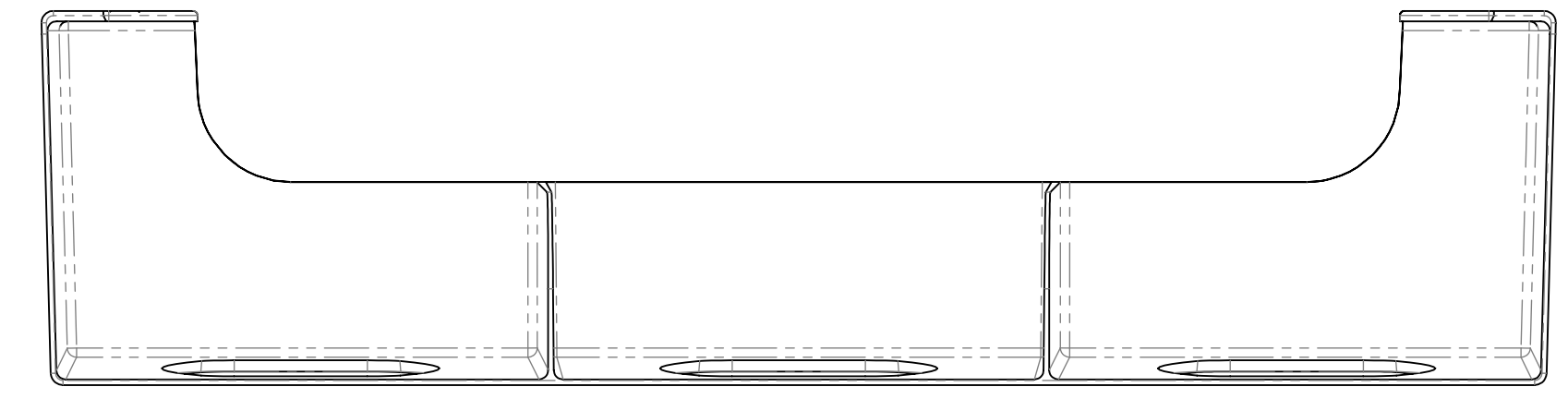
C

B

B

A

A



MATERIAL: Injection Molded Polycarbonate Plastic	PART NO.: GL300-1214	SIZE D	TOLERANCE .XX = ± .03 .XXX = ± .010 ANGULAR = ± 1°
FINISH: Semi-Transparent	TITLE: GLOVE BOX DISPENSER - TRIPLE WITH DIVIDERS	SCALE 1:2	REV A
BOWMAN Dispensers	BOWMAN Dispensers 20325 71st Ave NE, Ste D Arlington, WA 98223	SHEET 1 of 1	

FILE NAME: GL300-1214_ARCAT_SLIDDRW