

8

7

6

5

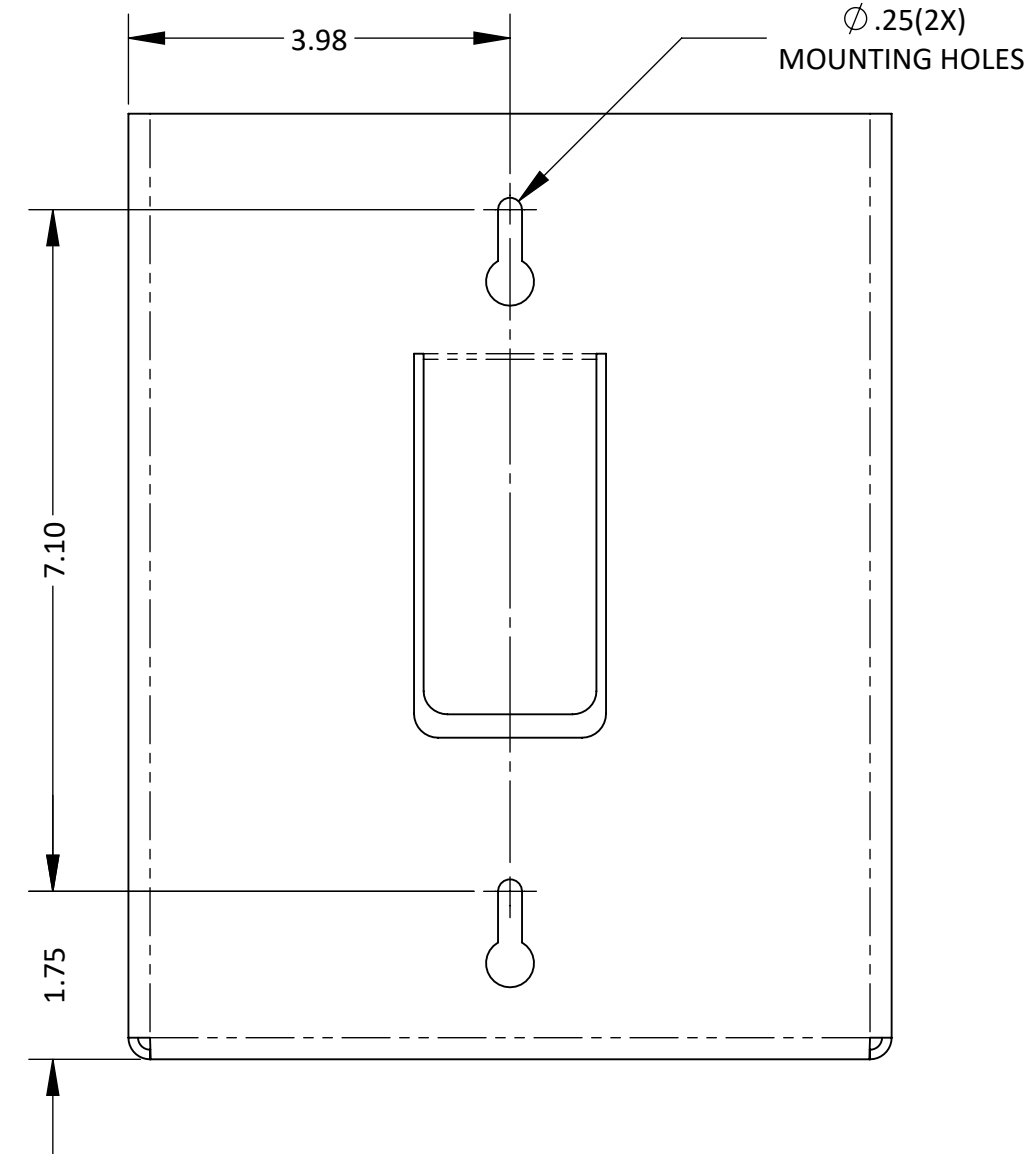
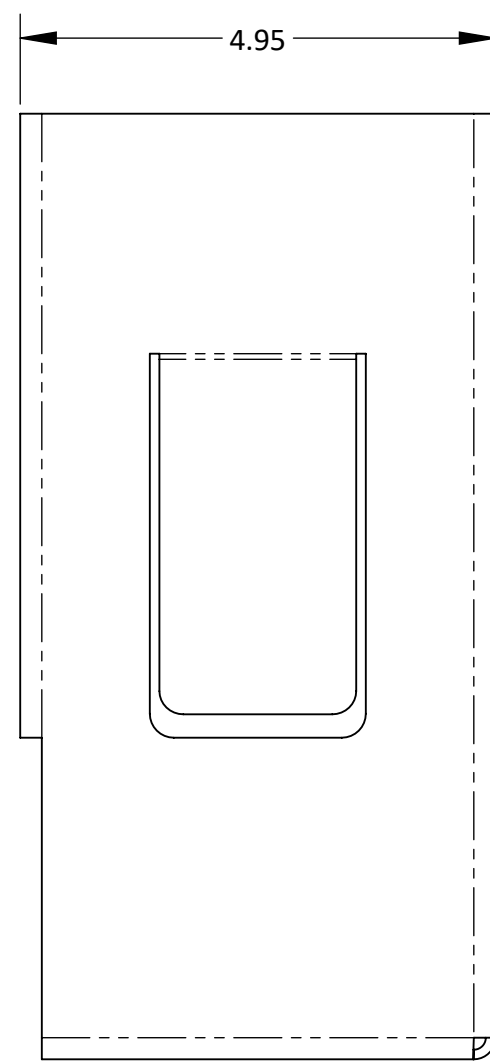
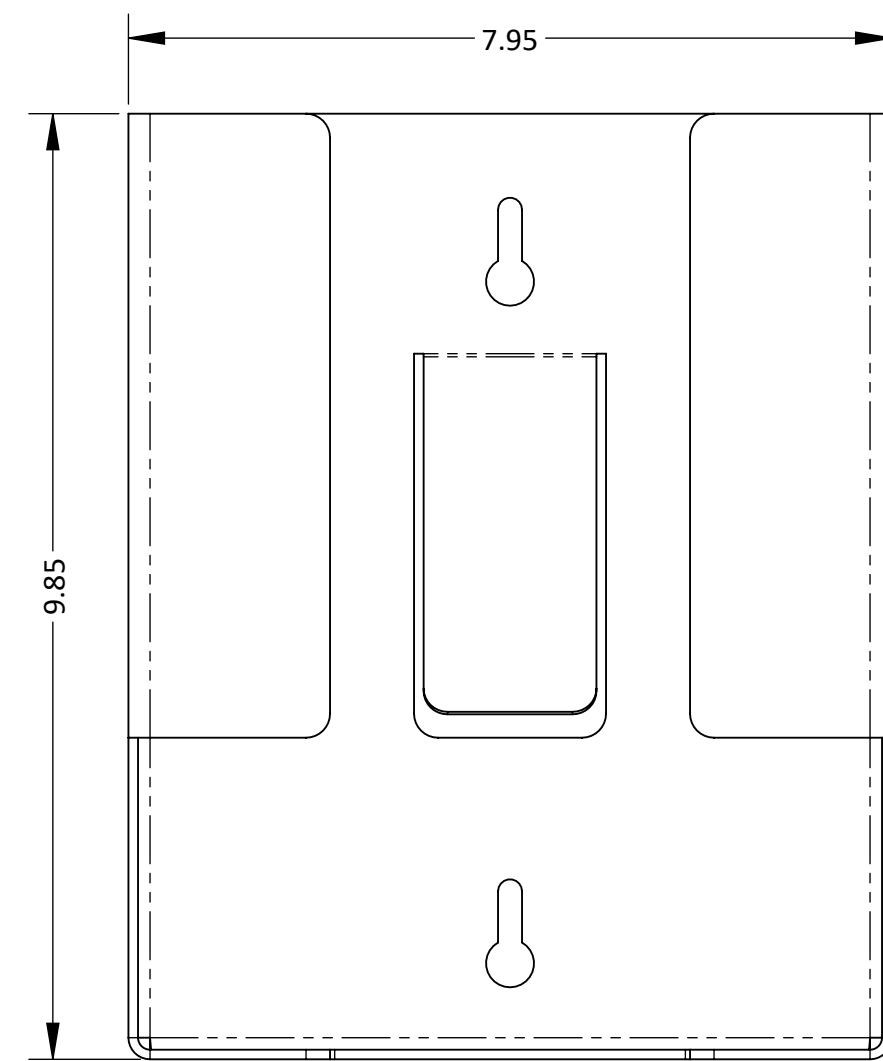
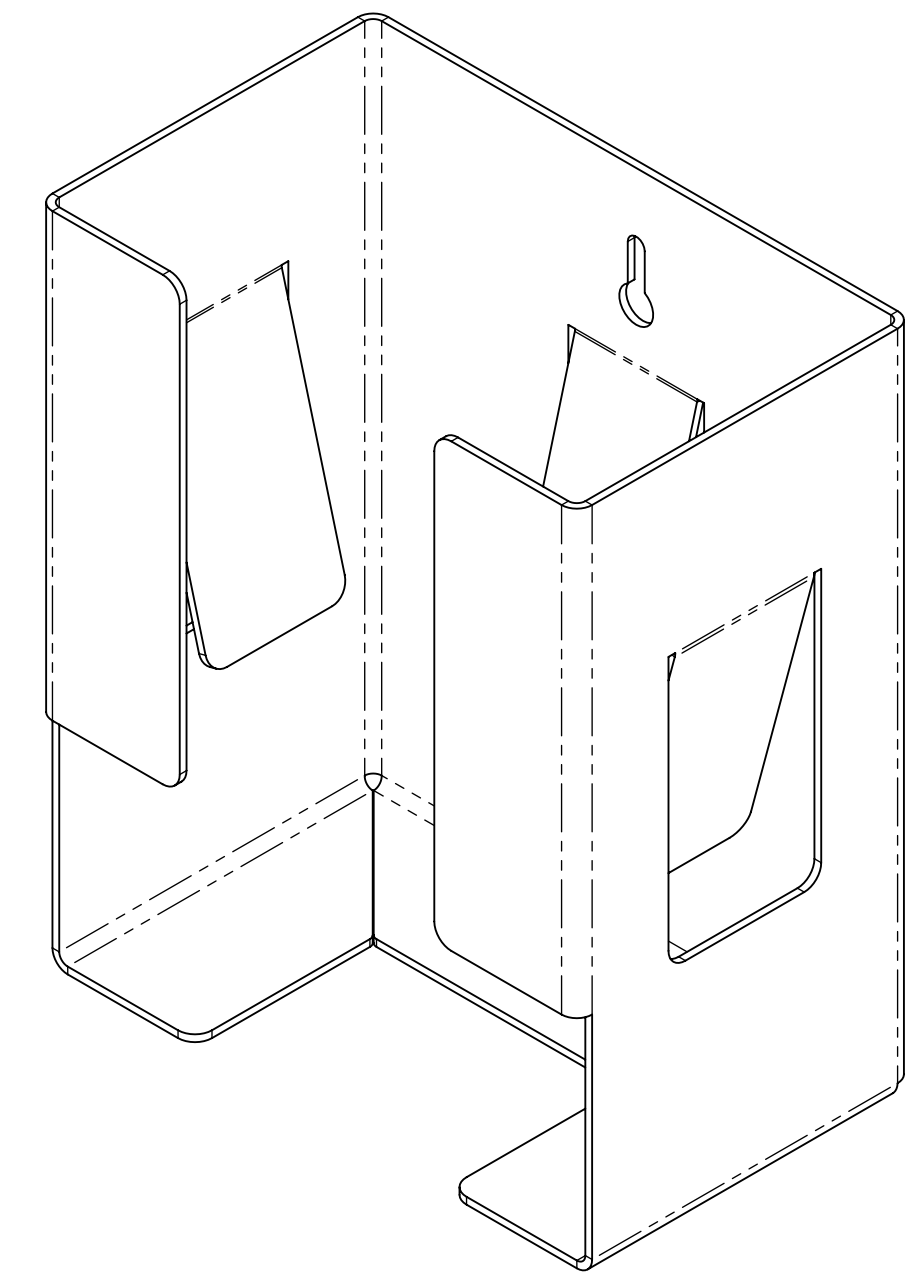
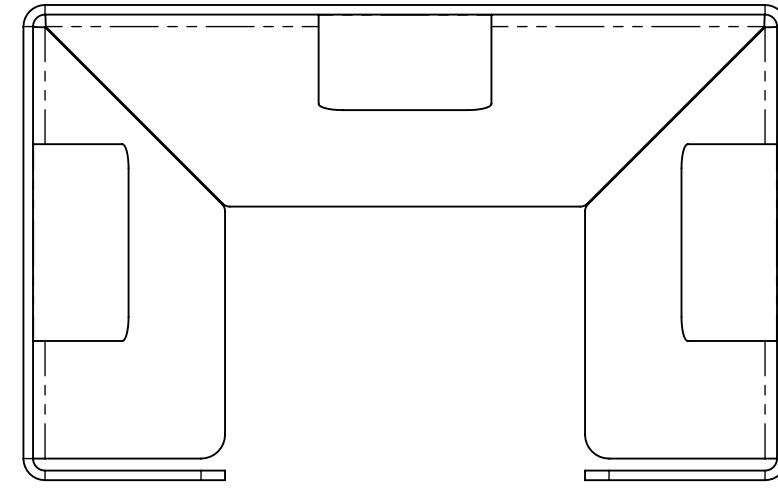
4

3

DWG No. GN100-0212

SH 1 REV B

1



D

D

C


C

B

B

A

A

MATERIAL: ABS Plastic	PART NO.: GN100-0212	SIZE D	TOLERANCE .XX = ± .03 _XXX = ± .010 ANGULAR = ± 1°
FINISH: Quartz Beige	TITLE: GOWN DISPENSER - UNIVERSAL BOXED	SCALE 1:2	REV B
BOWMAN  Dispensers		BOWMAN Dispensers 20325 71st Ave NE, Ste D Arlington, WA 98223	
		SHEET 1 OF 1	FILE NAME: GN100-0212_ARCAT_SLDDRW

8

7

6

5

4

3

2

1