

8

7

6

5

4

3

DWG No. GP-014

SH 1 REV C

1

D

C

B

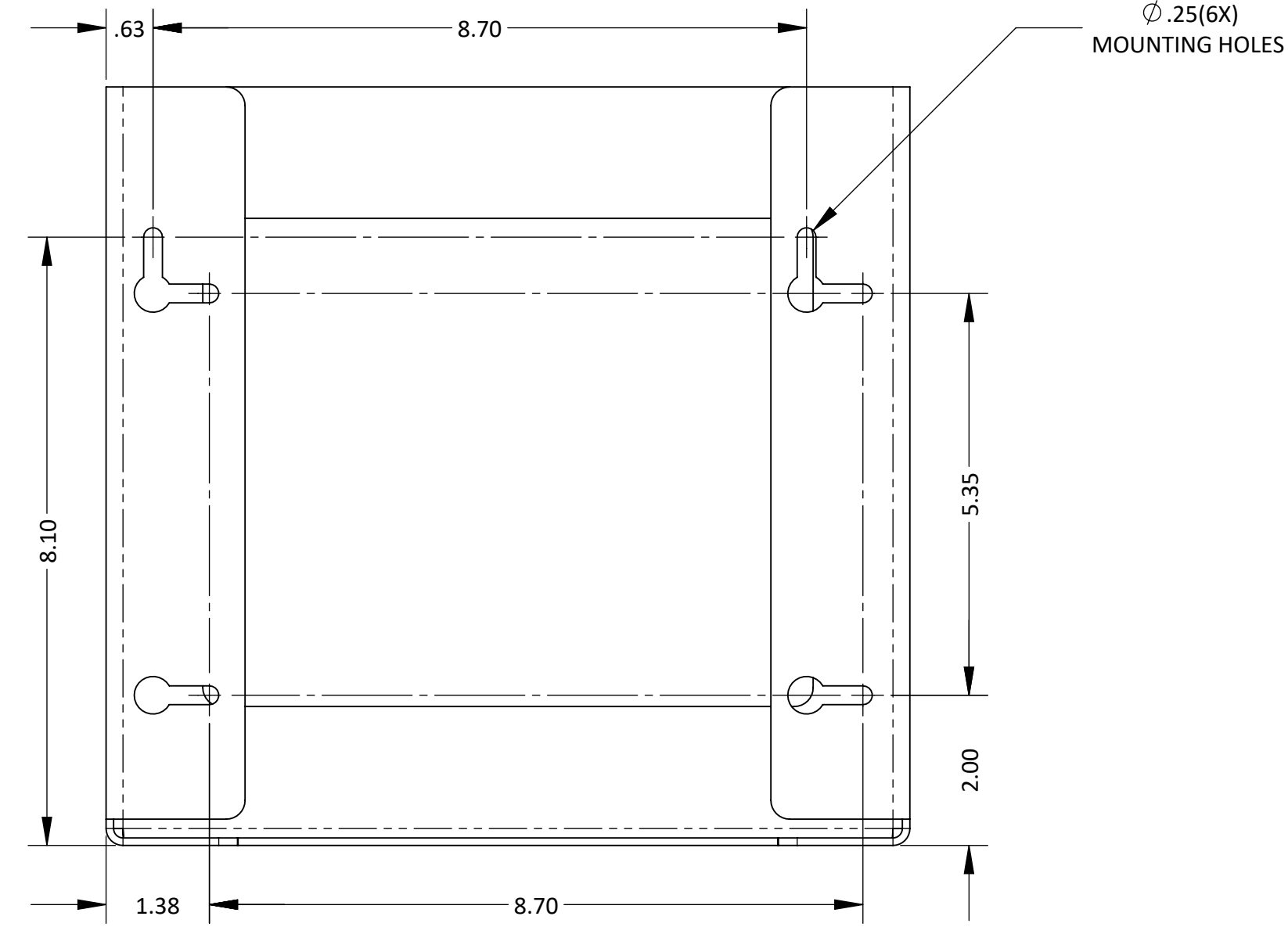
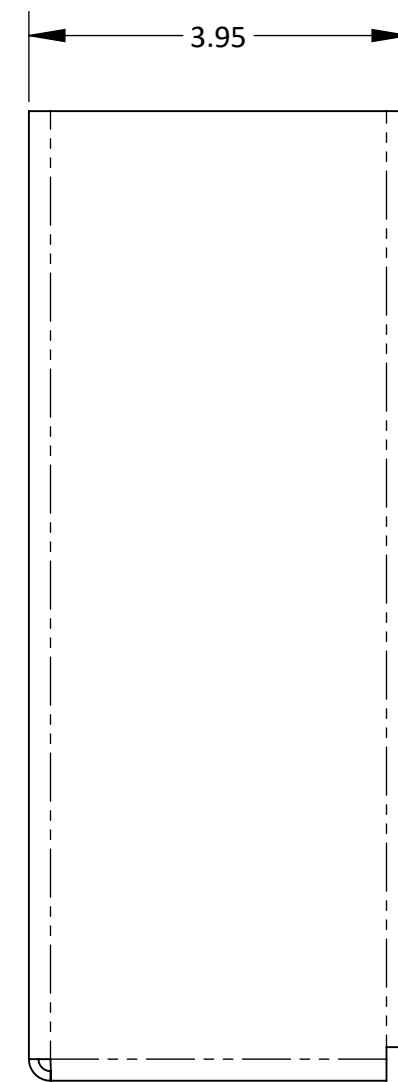
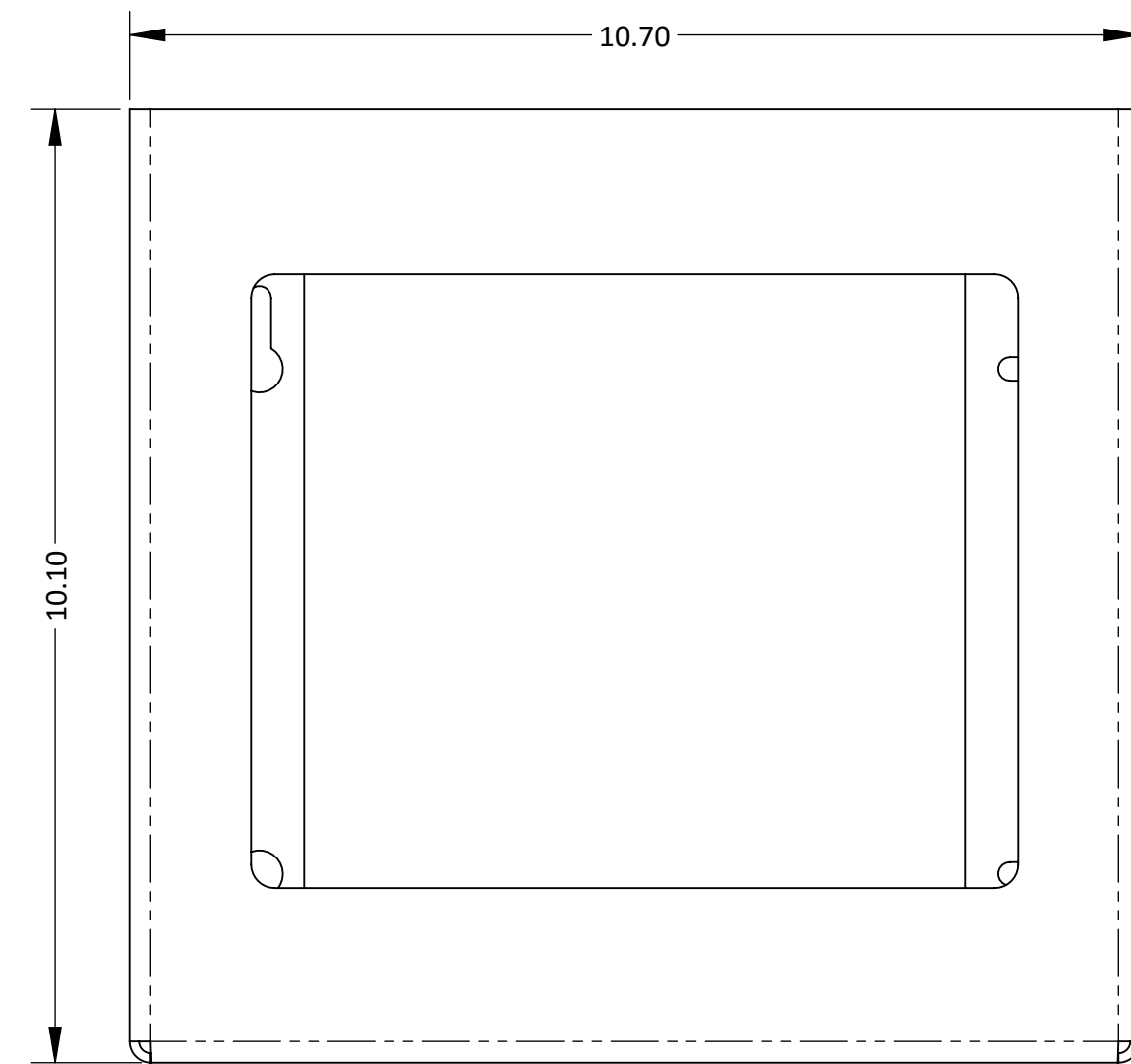
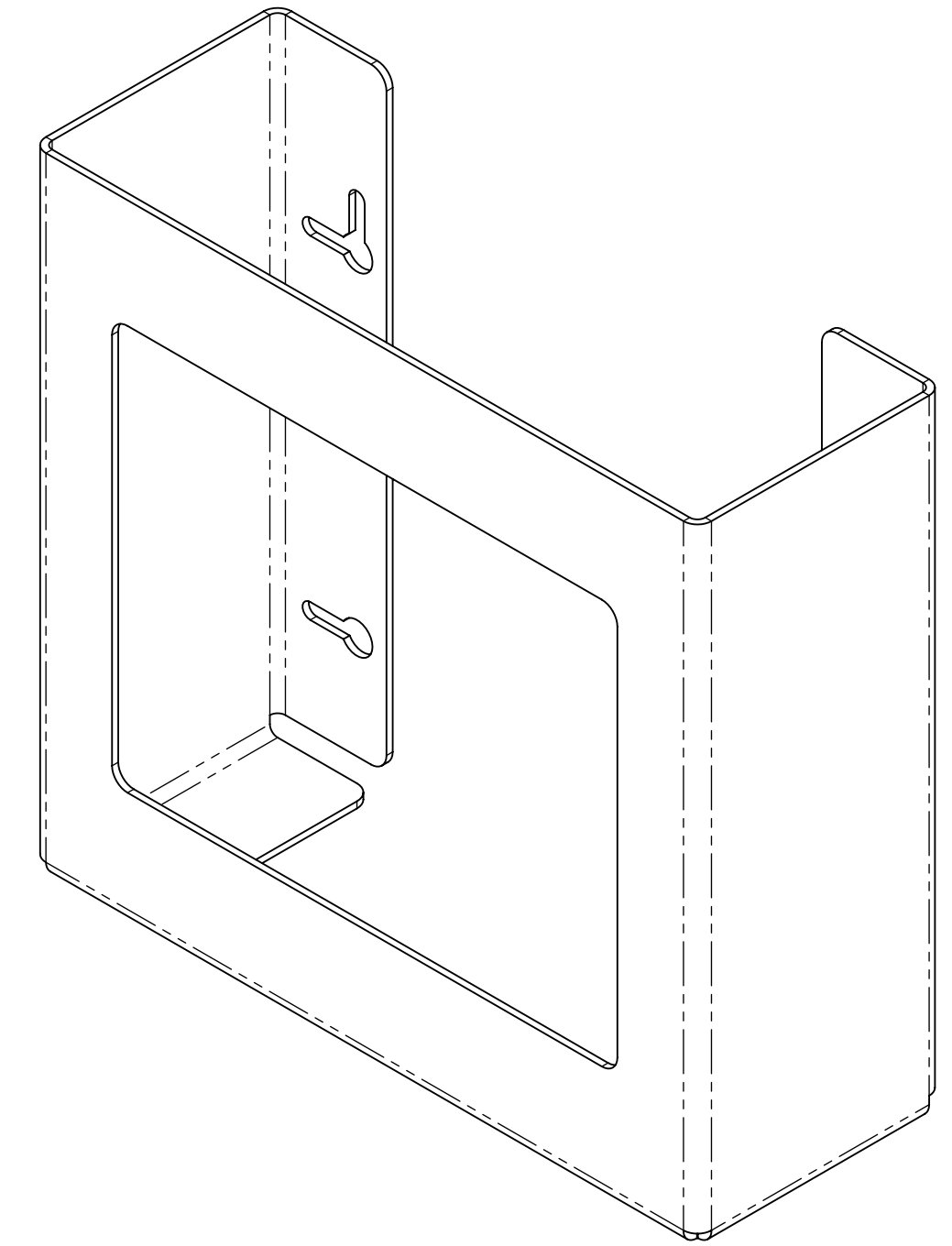
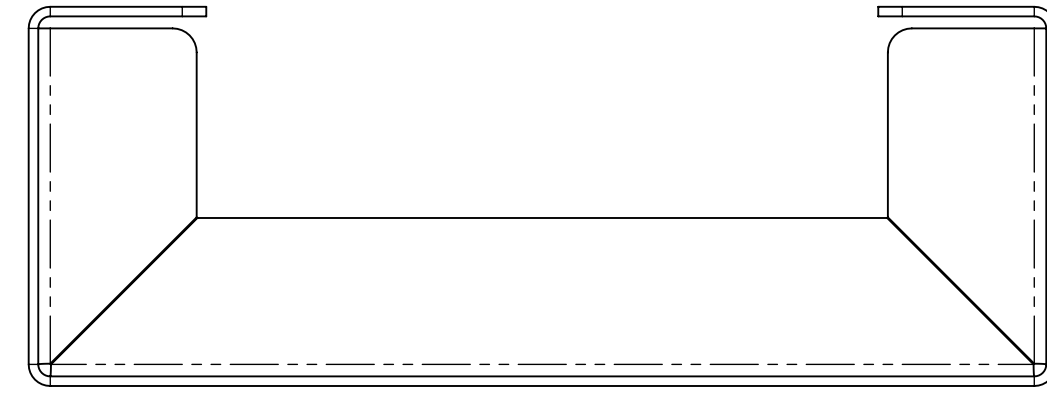
A

D

C

B

A



Ø.25(6X)  
MOUNTING HOLES

MATERIAL: PETG Plastic	PART NO.: <b>GP-014</b>	SIZE D	TOLERANCE .XX = ± .03 .XXX = ± .010 ANGULAR = ± 1°
FINISH: Clear	TITLE: GLOVE BOX DISPENSER - DOUBLE	SCALE 1:2	REV C
<b>BOWMAN</b>  <b>Dispensers</b>		BOWMAN Dispensers 20325 71st Ave NE, Ste D Arlington, WA 98223	
		SHEET 1 OF 1	

8

7

6

5

4

3

2

1

FILE NAME: GP-014\_ARCAT\_SLDDRW