

D

D

C

C

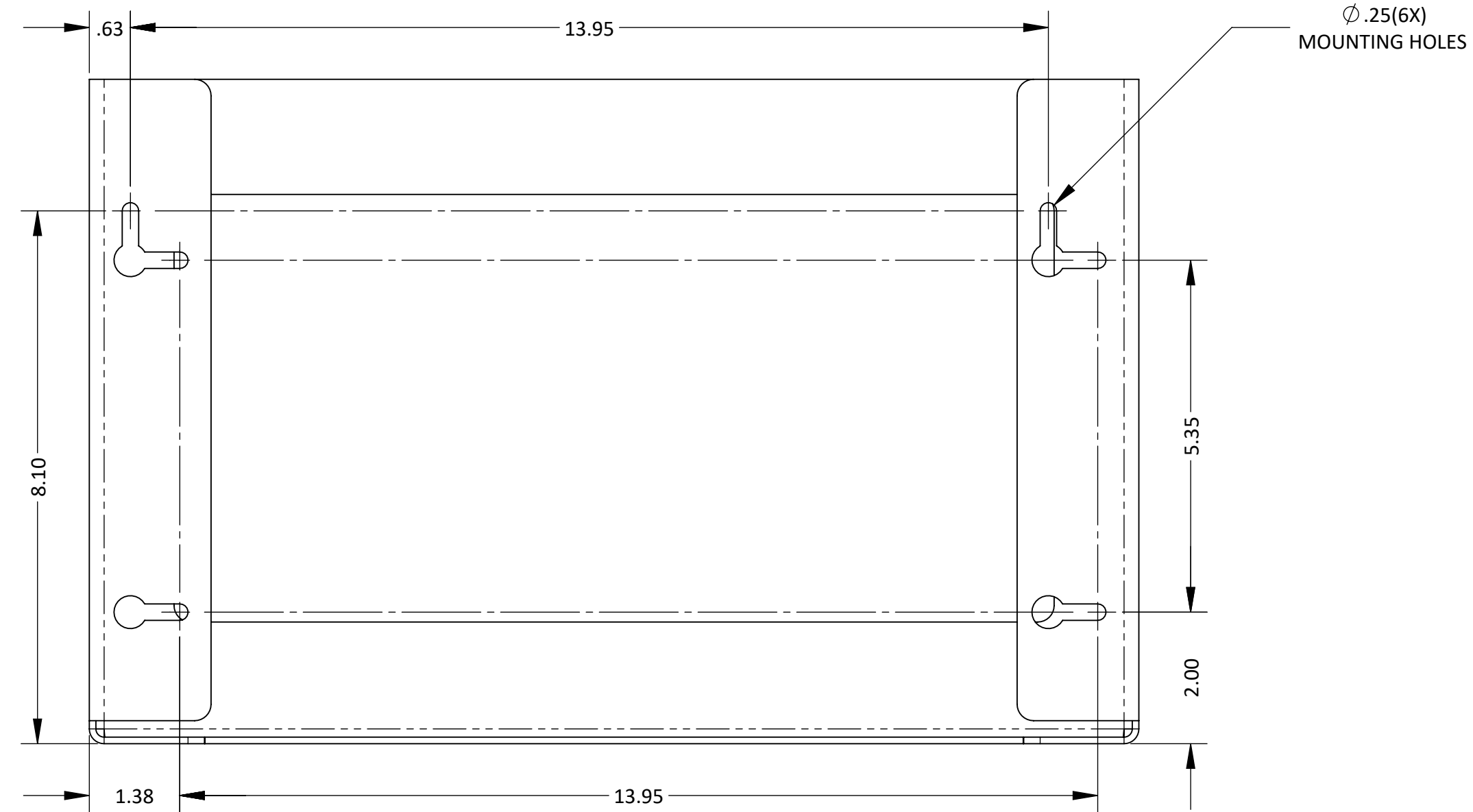
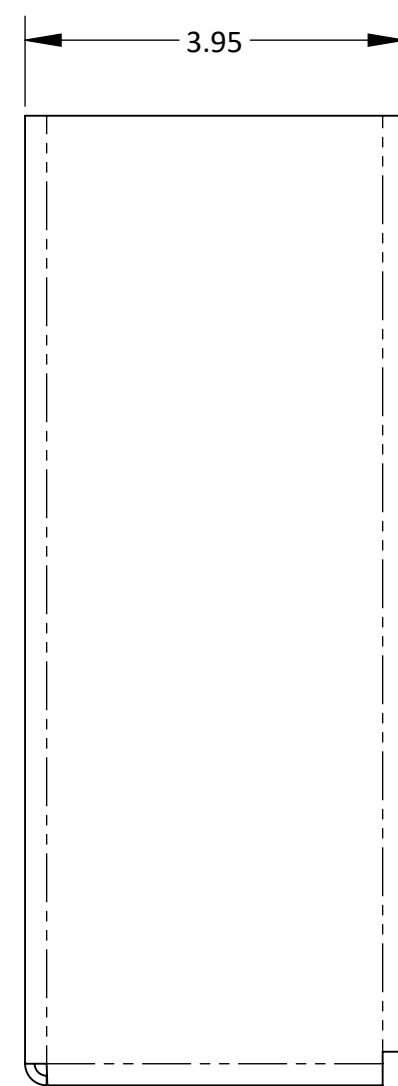
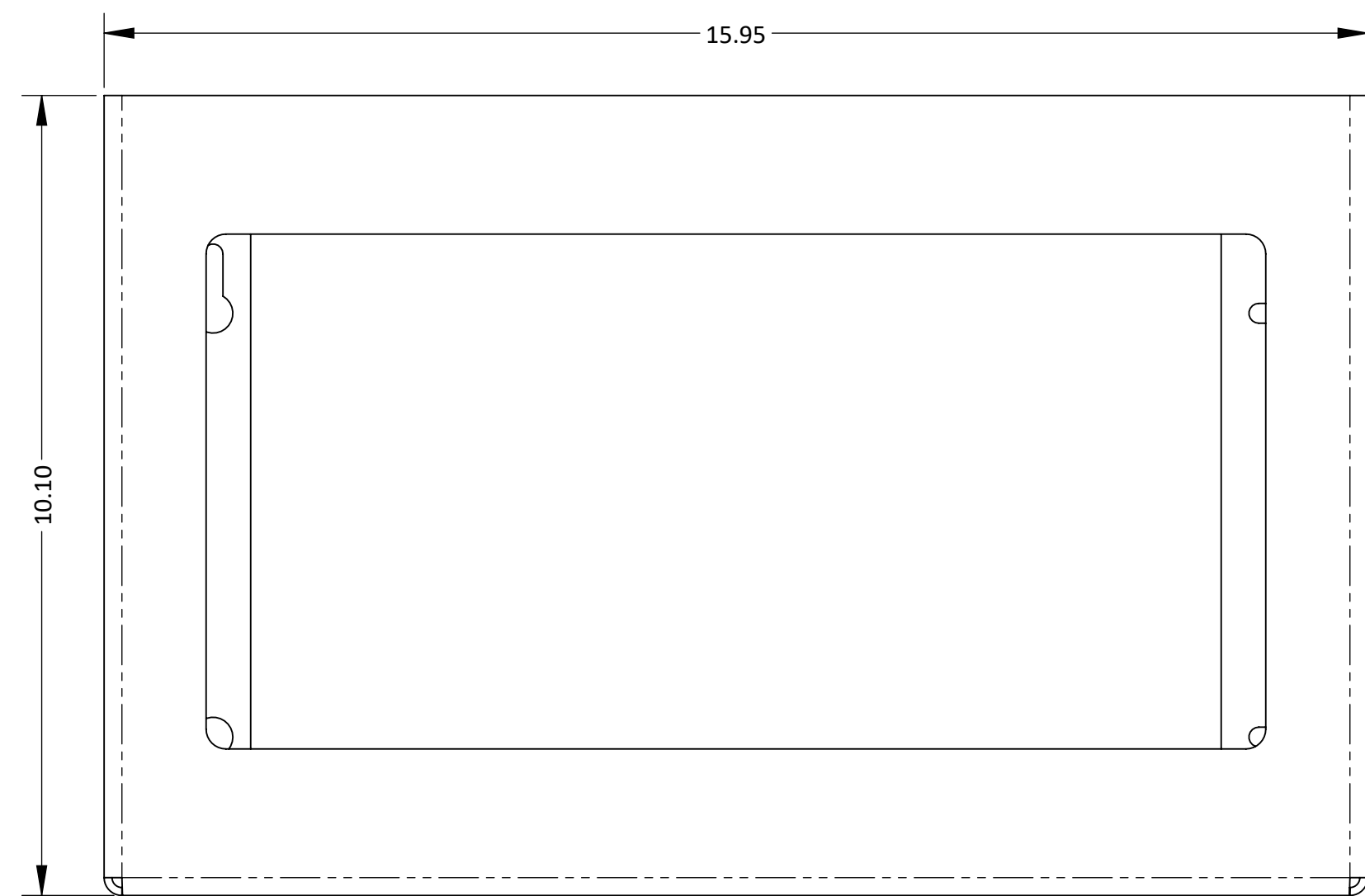
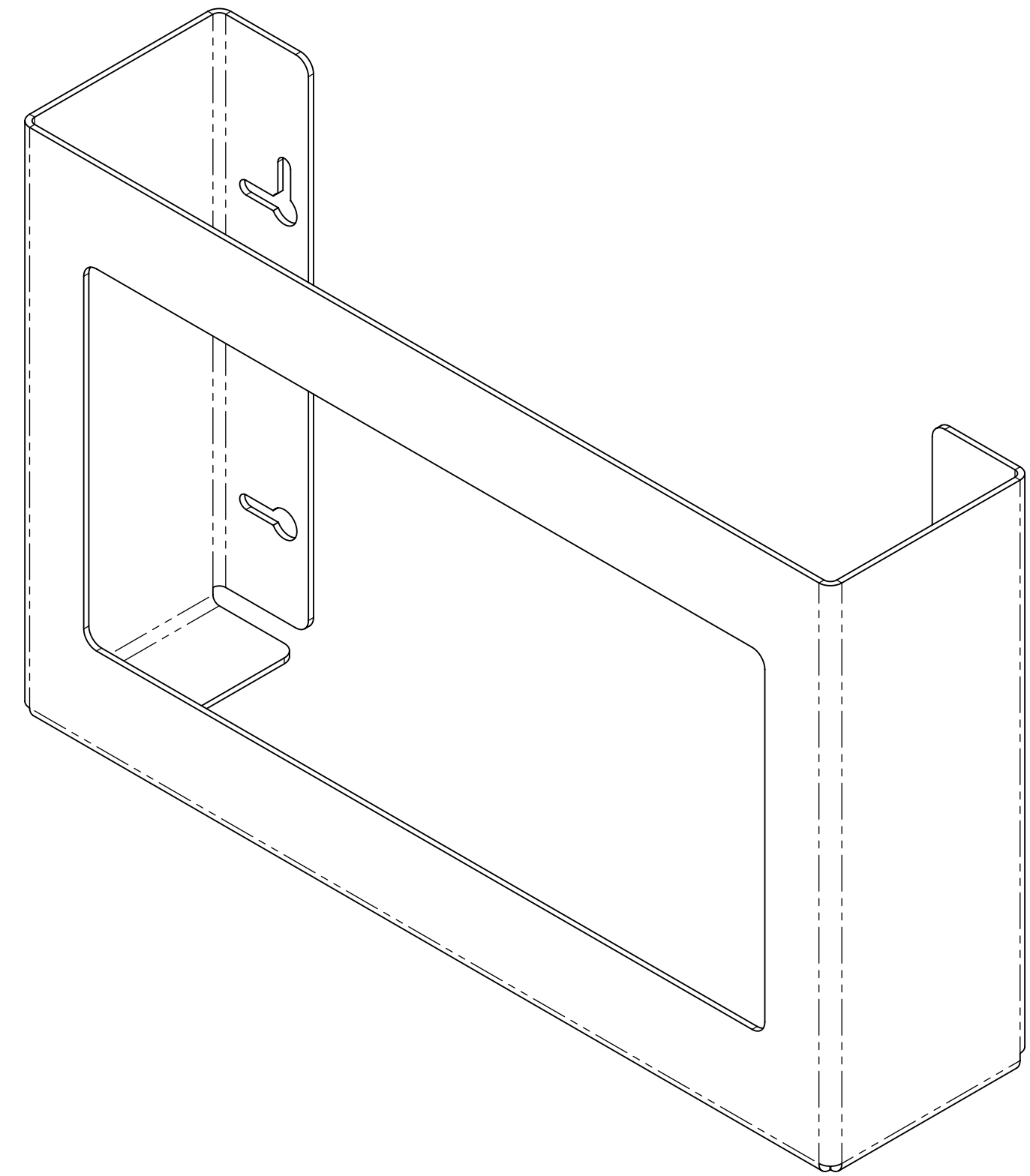
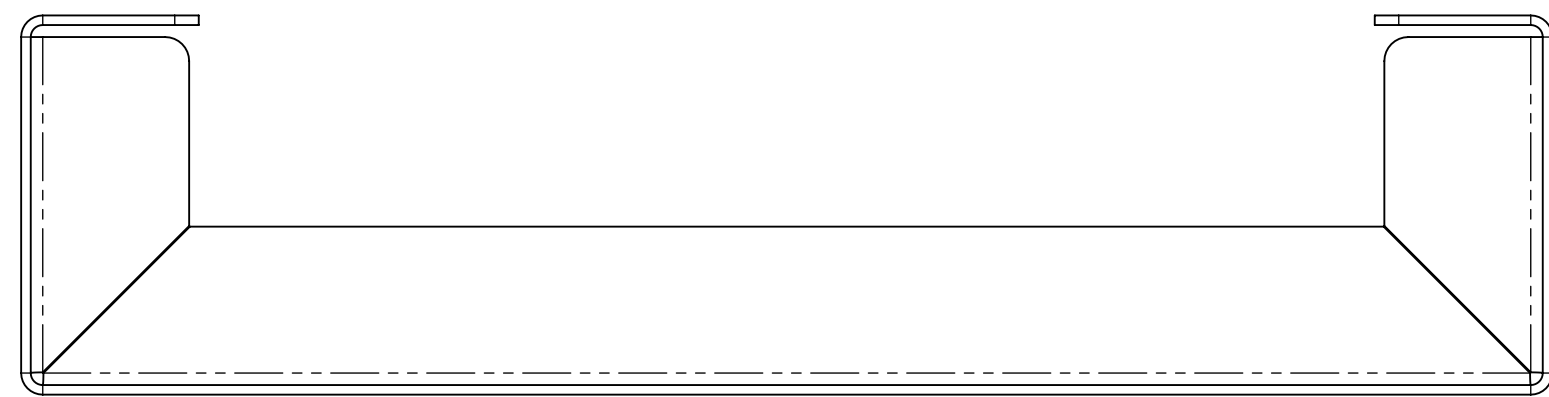
B


B

A

A

FILE NAME: GP-015_ARCAT_SLDDRW



MATERIAL: PETG Plastic	PART NO.: GP-015	SIZE D	TOLERANCE .XX = ± .03 .XXX = ± .010 ANGULAR = ± 1°
FINISH: Clear	TITLE: GLOVE BOX DISPENSER - TRIPLE	SCALE 1:2	REV D
BOWMAN®  Dispensers		BOWMAN Dispensers 20325 71st Ave NE, Ste D Arlington, WA 98223	
		SHEET 1 of 1	