

8

7

6

5

4

3

DWG No. GP-320

SH 1 REV C

1

D

C

B

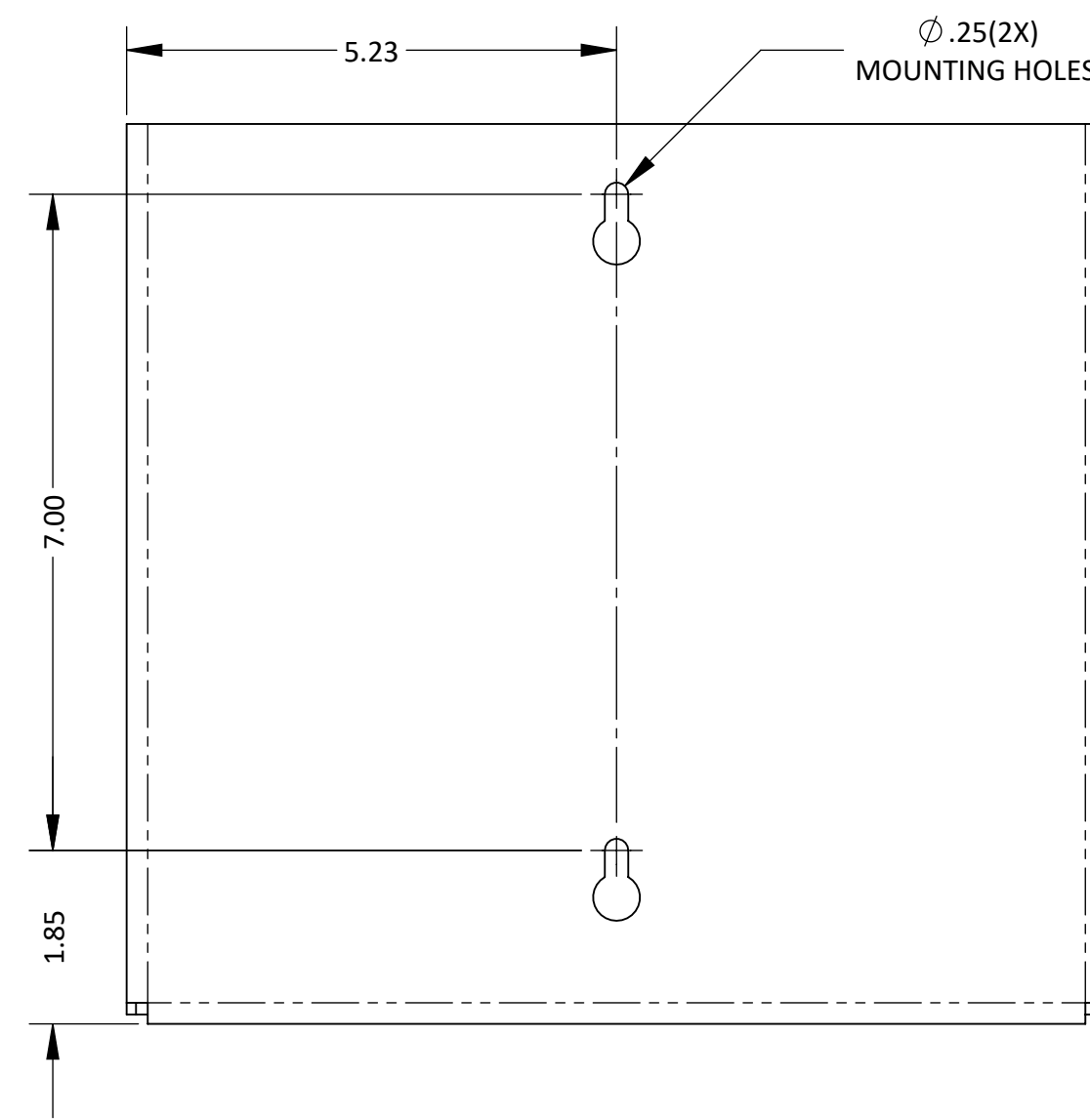
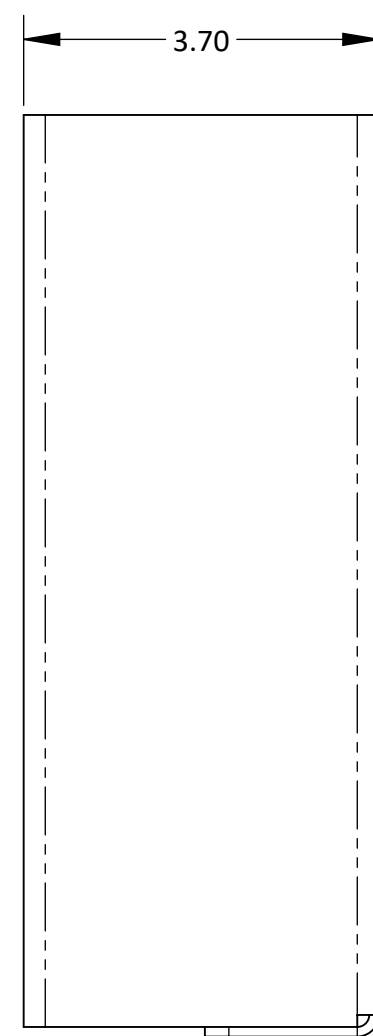
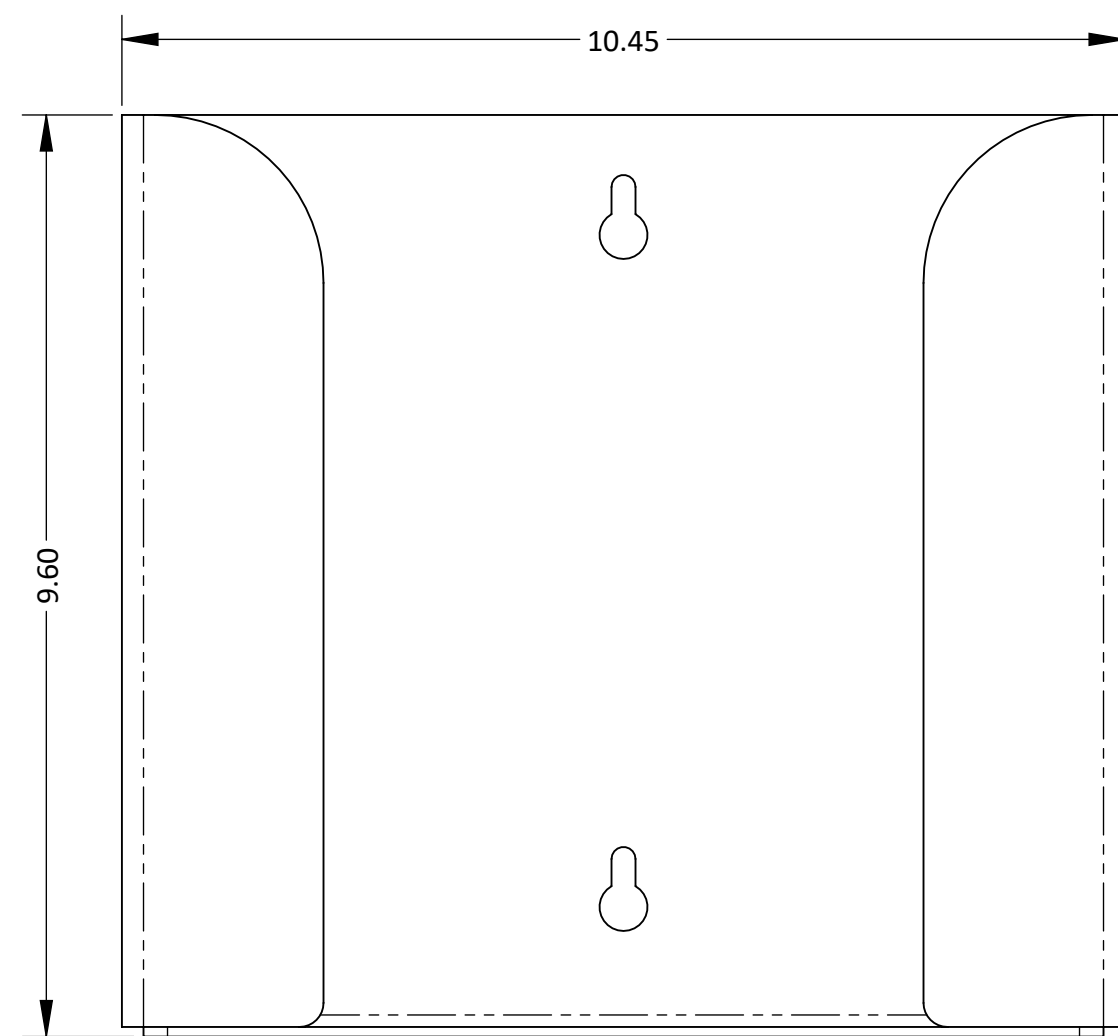
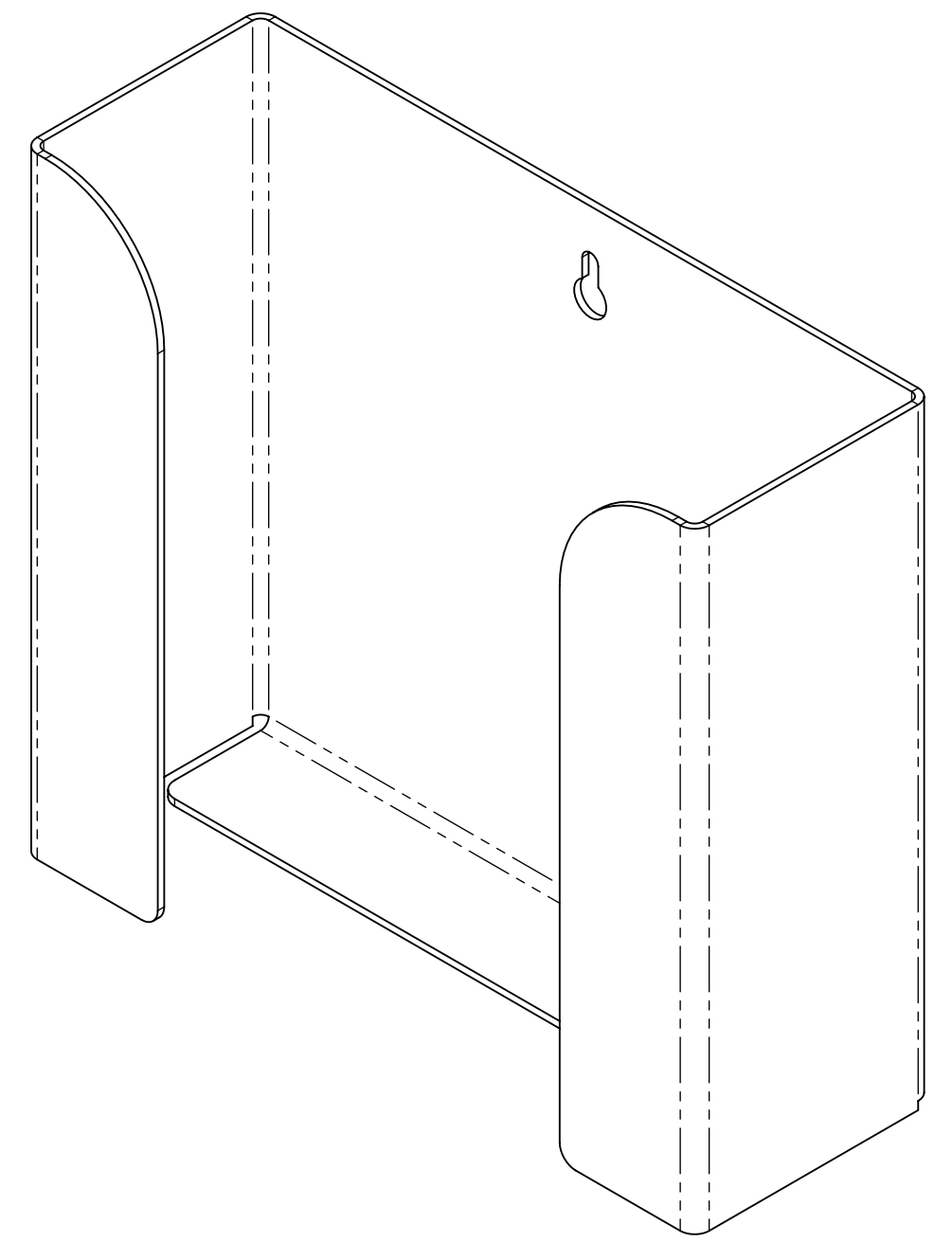
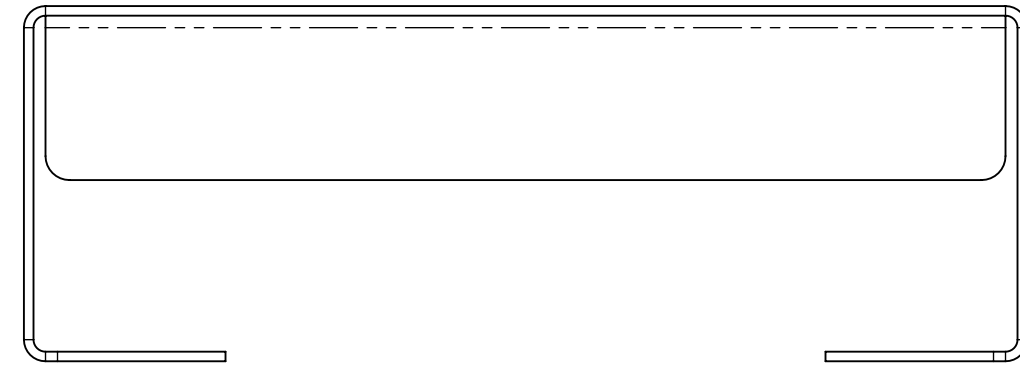
A


D

C

B

A



MATERIAL: PETG Plastic	PART NO.: <b>GP-320</b>	SIZE D	TOLERANCE .XX = ± .03 .XXX = ± .010
FINISH: Clear	TITLE: GLOVE BOX DISPENSER - DOUBLE	SCALE 1:2	ANGULAR = ± 1°
<b>BOWMAN</b>  Dispensers		BOWMAN Dispensers 20325 71st Ave NE, Ste D Arlington, WA 98223	REV C SHEET 1 of 1

8

7

6

5

4

3

2

1

FILE NAME: GP-320\_ARCAT\_SLDDRW