

D

C

B

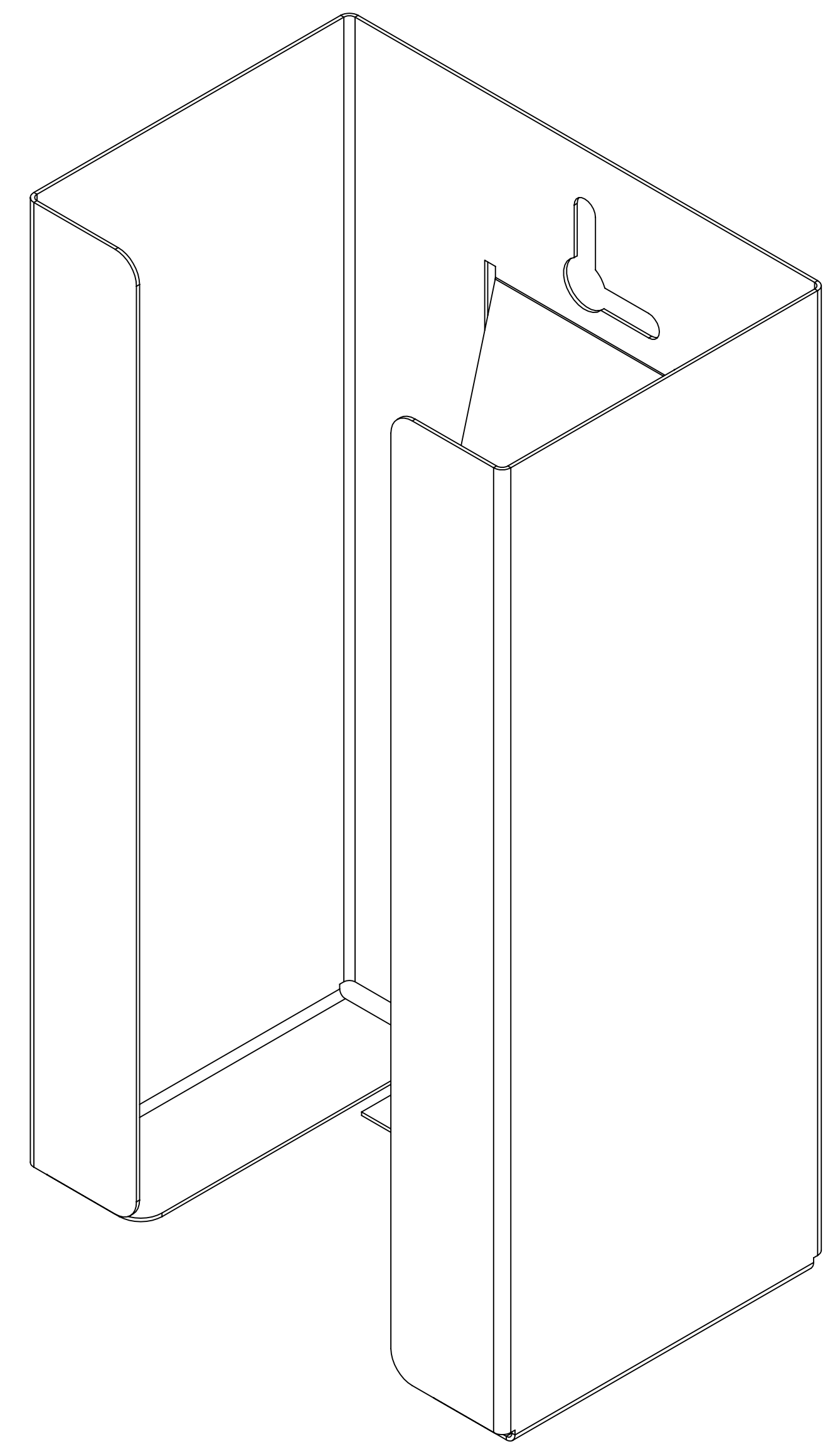
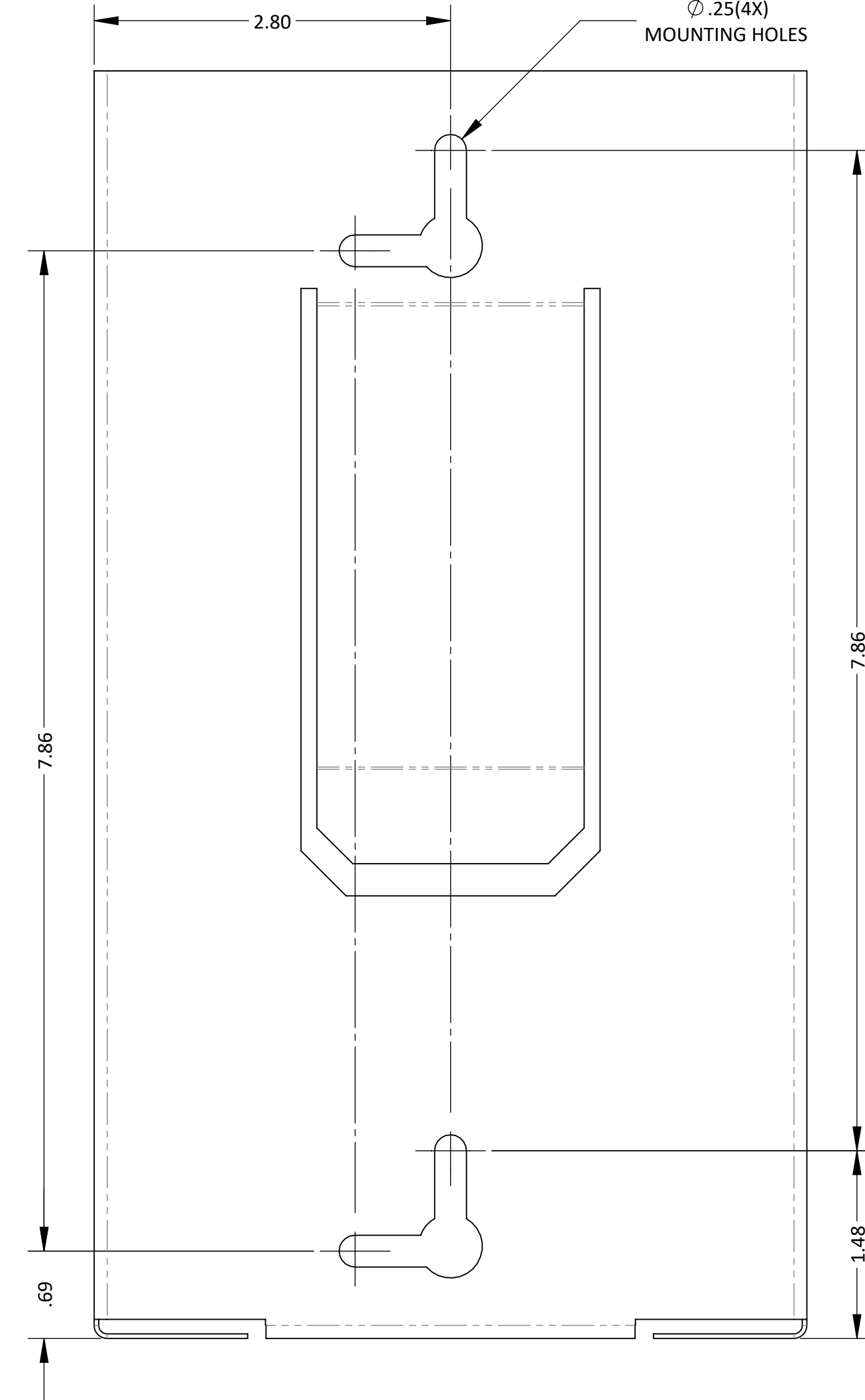
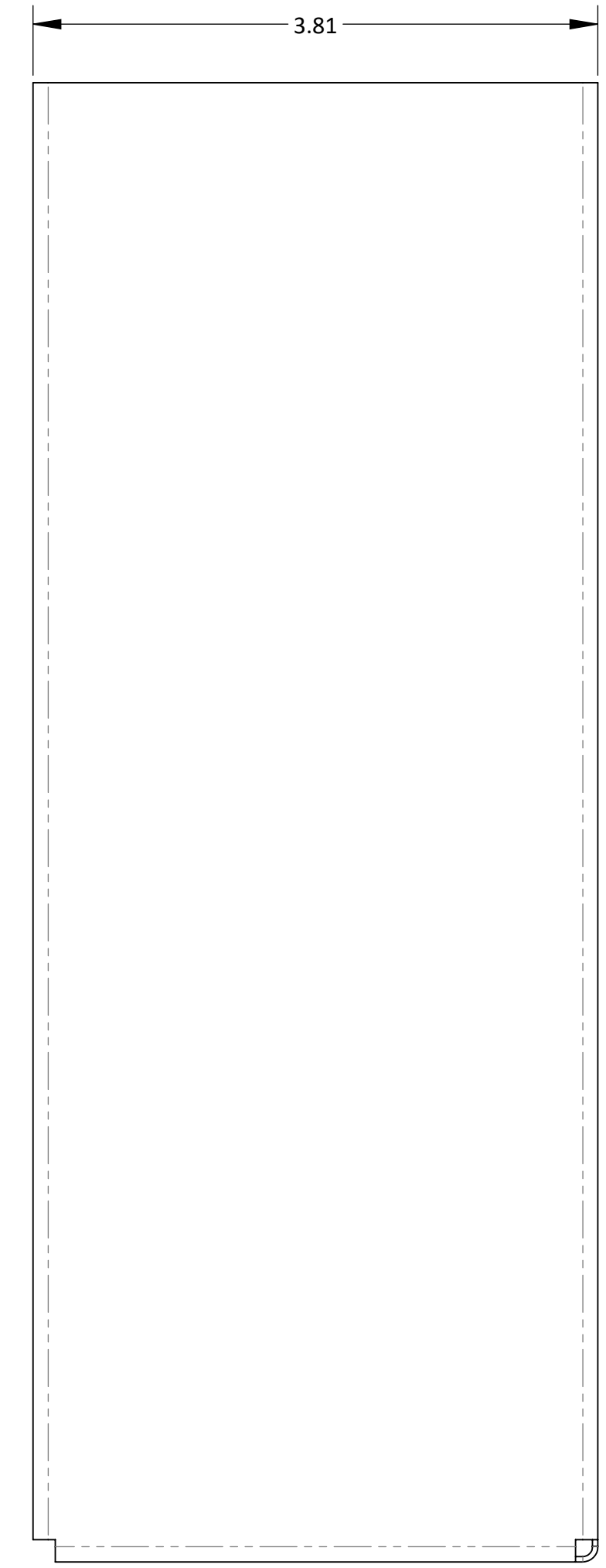
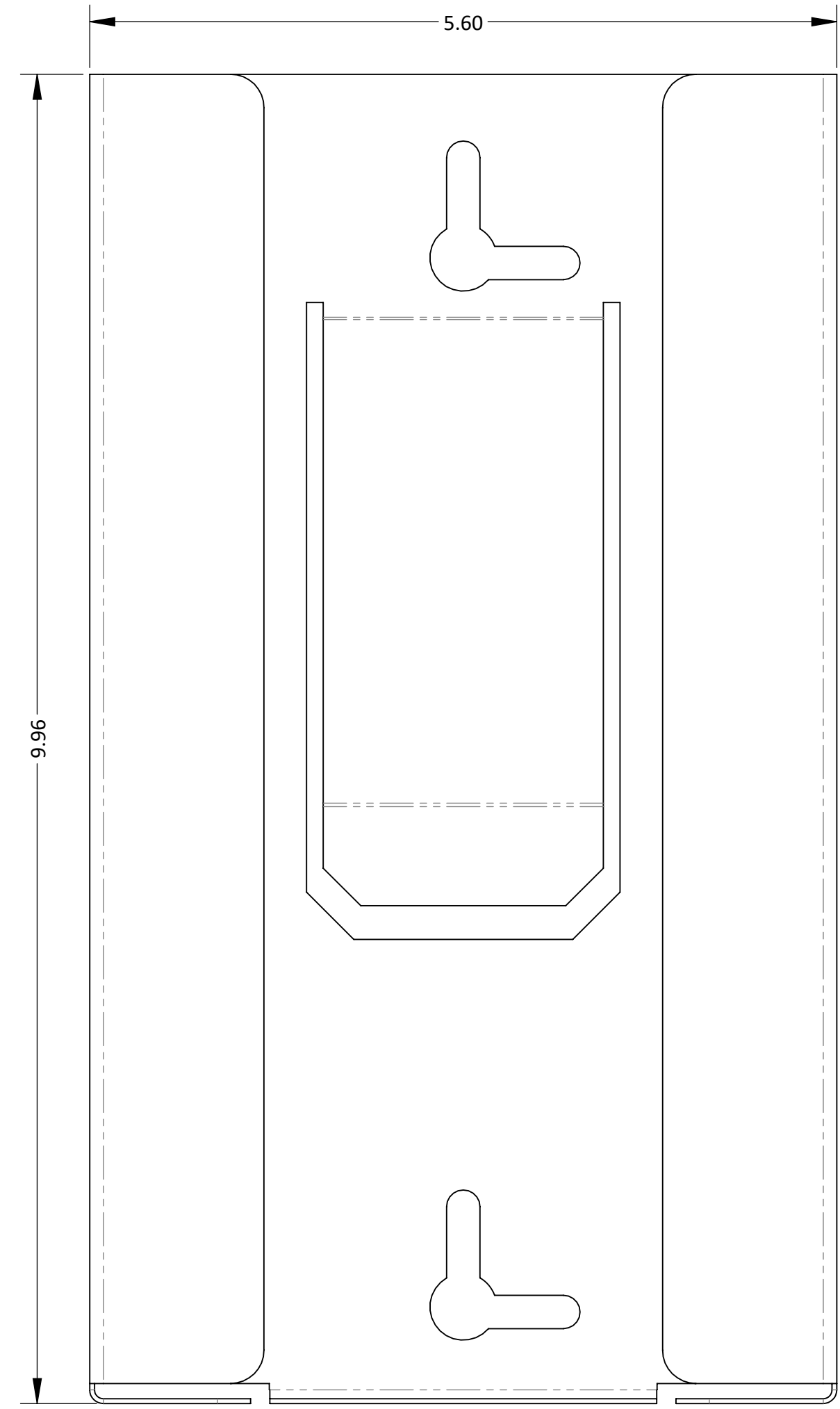
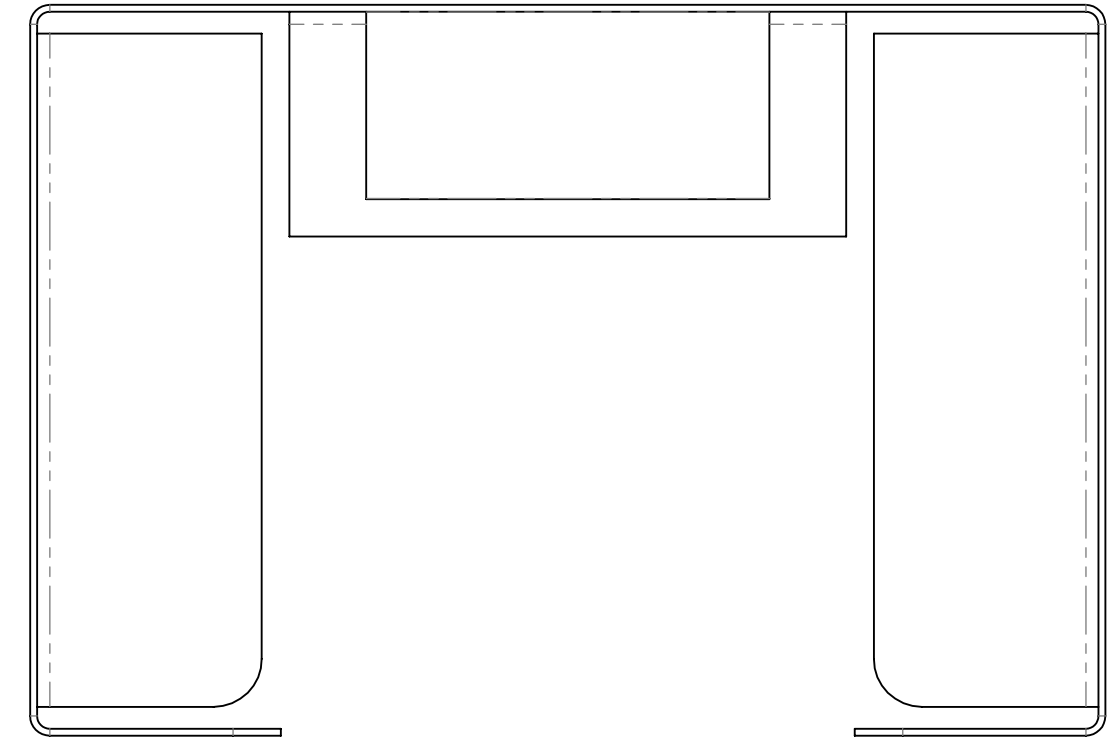
A


D

C

B

A



MATERIAL: Stainless Steel	PART NO.: <b>GS-004</b>	SIZE D	TOLERANCE .XX = ± .03 .XXX = ± .010 ANGULAR = ± 1°
FINISH: None	TITLE: GLOVE BOX DISPENSER - SINGLE WITH FLEXIBLE SPRING	SCALE 1:1	REV B
<b>BOWMAN</b>  Dispensers		BOWMAN Dispensers 20325 71st Ave NE, Ste D Arlington, WA 98223	
		SHEET 1 of 1	

FILE NAME: GS-004\_ARCAT\_SLDDRW