

8

7

6

5

4

3

DWG No. GS-005

SH 1 REV E

1

D

C

B

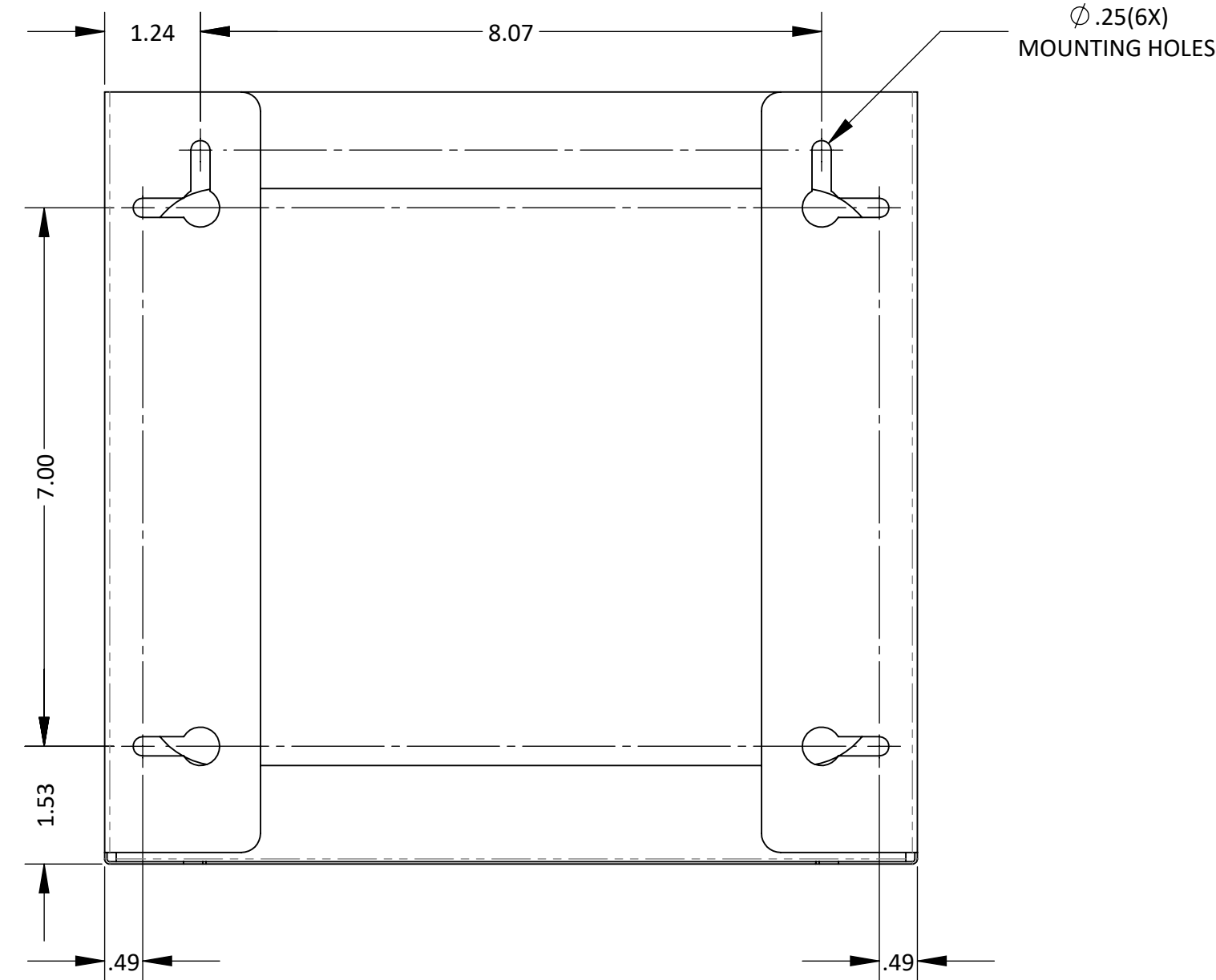
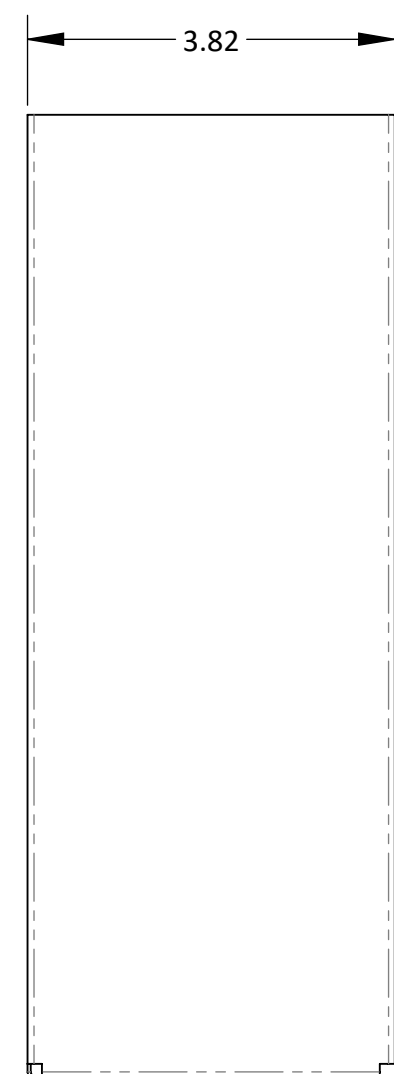
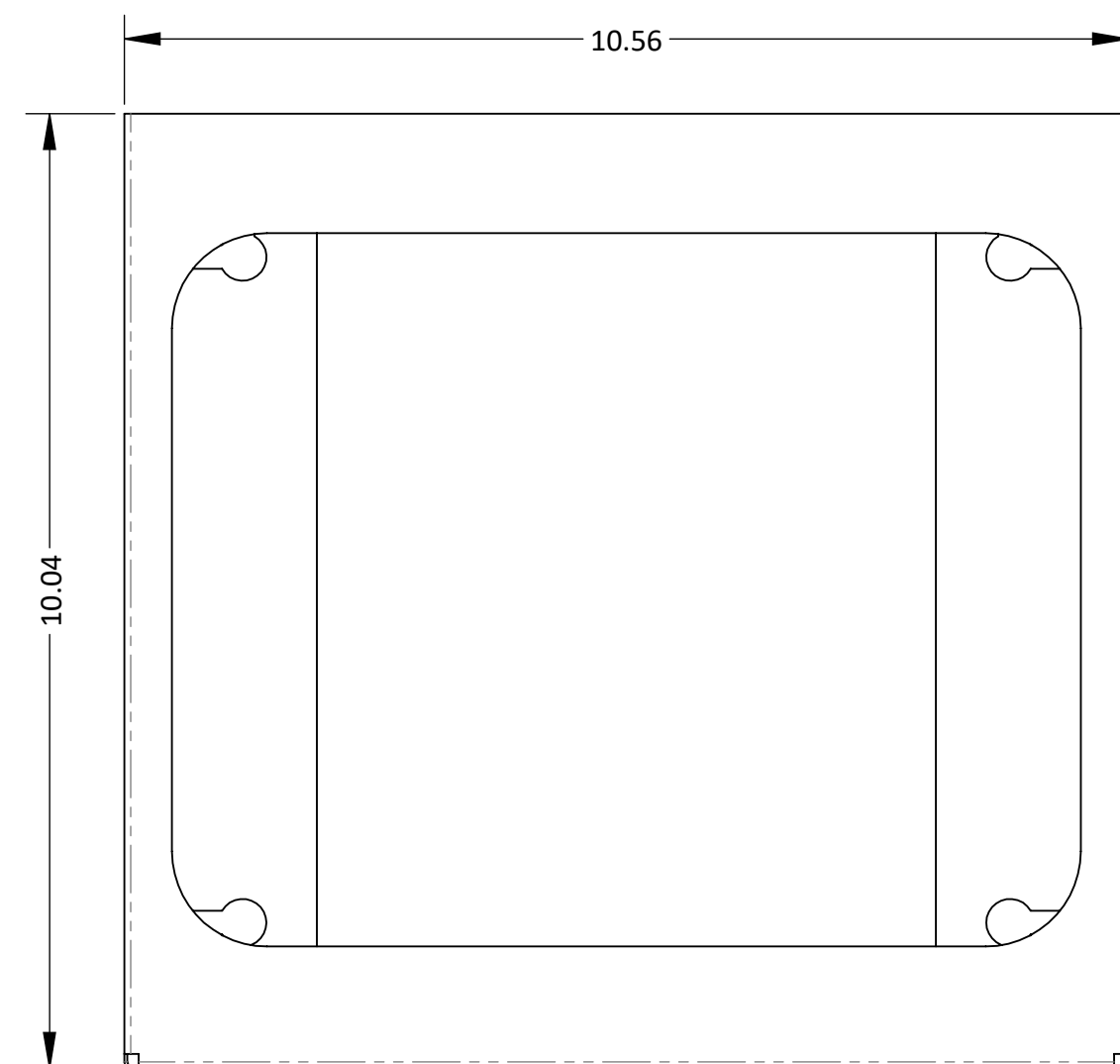
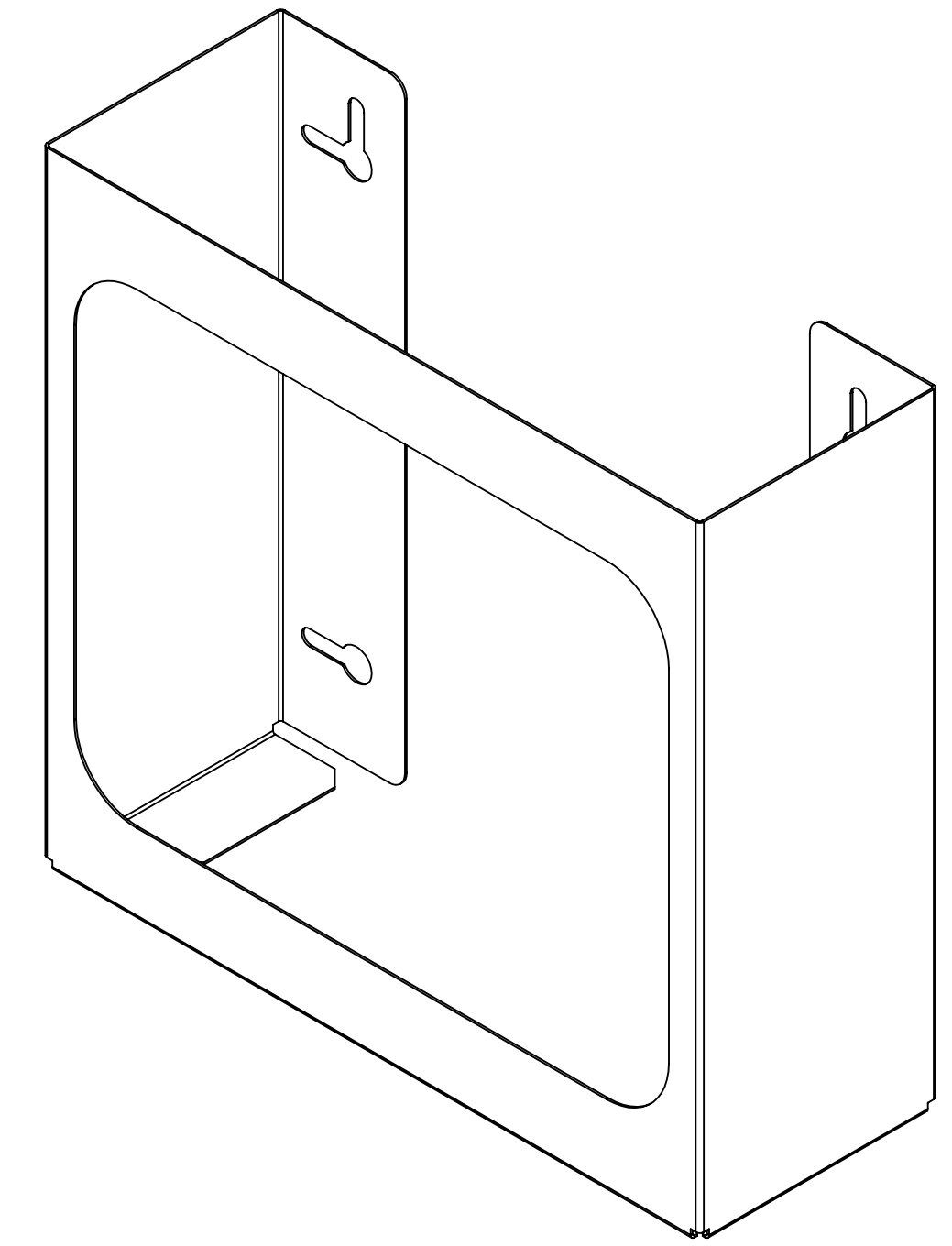
A


D

C

B

A



MATERIAL: Stainless Steel	PART NO.: GS-005	SIZE D	TOLERANCE .XX = ± .03 .XXX = ± .010 ANGULAR = ± 1°
FINISH: None	TITLE: GLOVE BOX DISPENSER - DOUBLE	SCALE 1:2	REV E
BOWMAN  Dispensers		BOWMAN Dispensers 20325 71st Ave NE, Ste D Arlington, WA 98223	SHEET 1 of 1

FILE NAME: GS-005_ARCAT_SLDDRW