

8 7 6 5 4 3 1

D

D

C

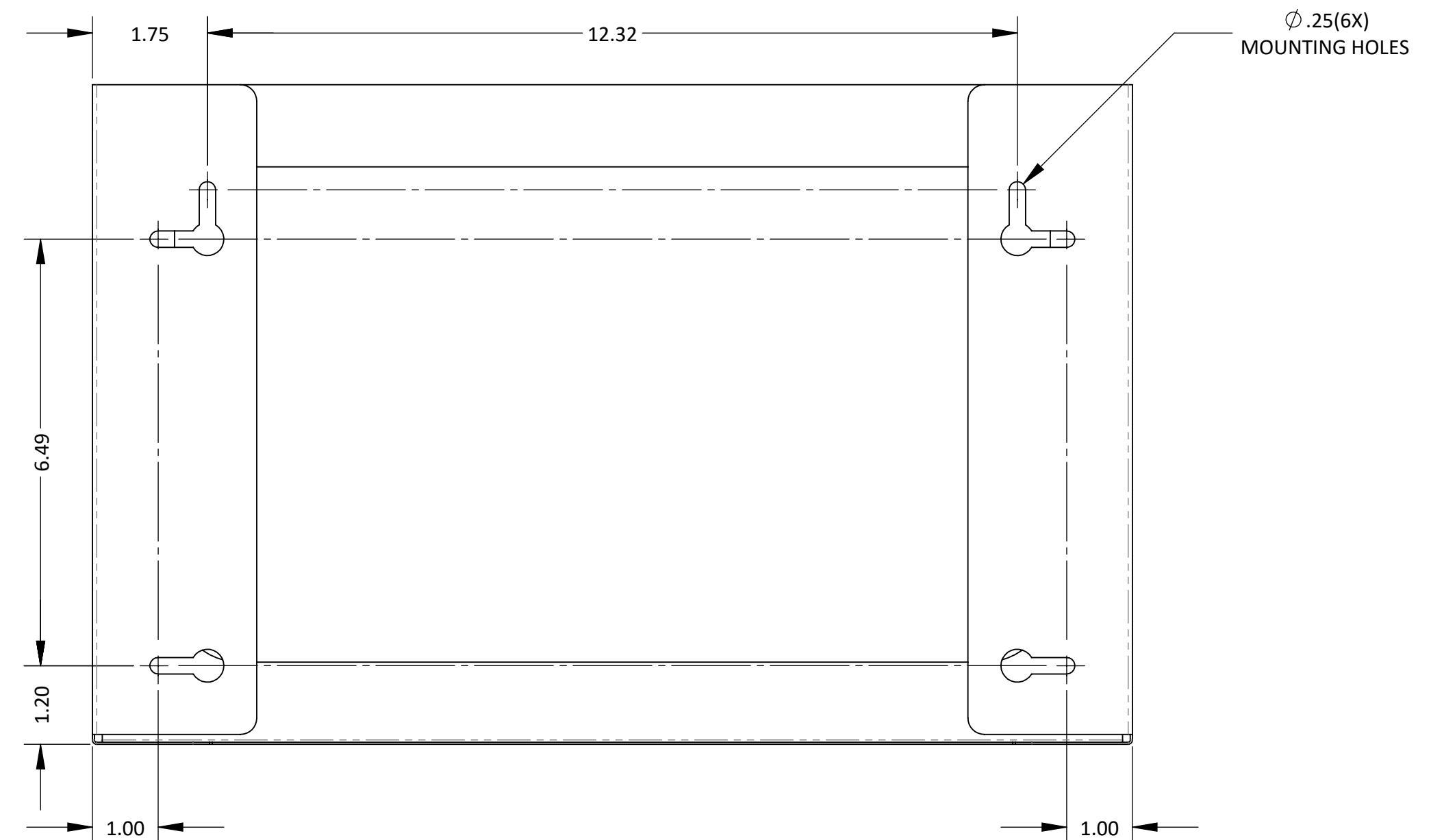
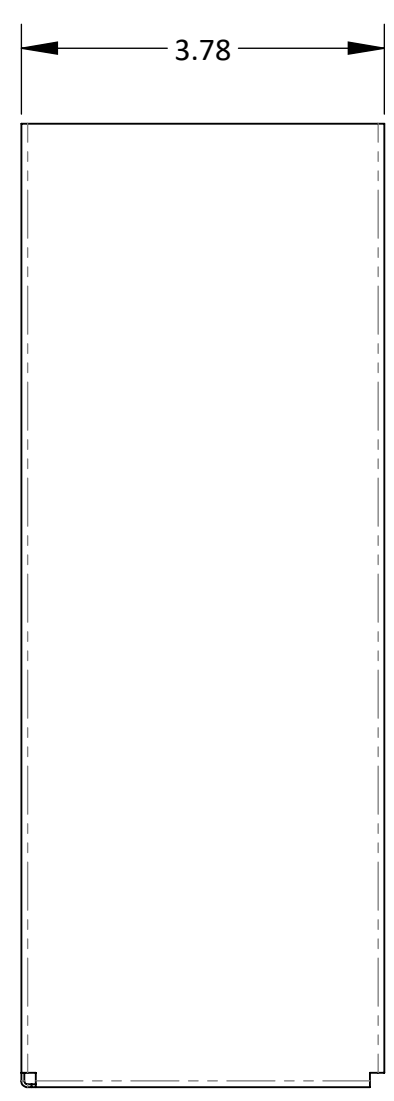
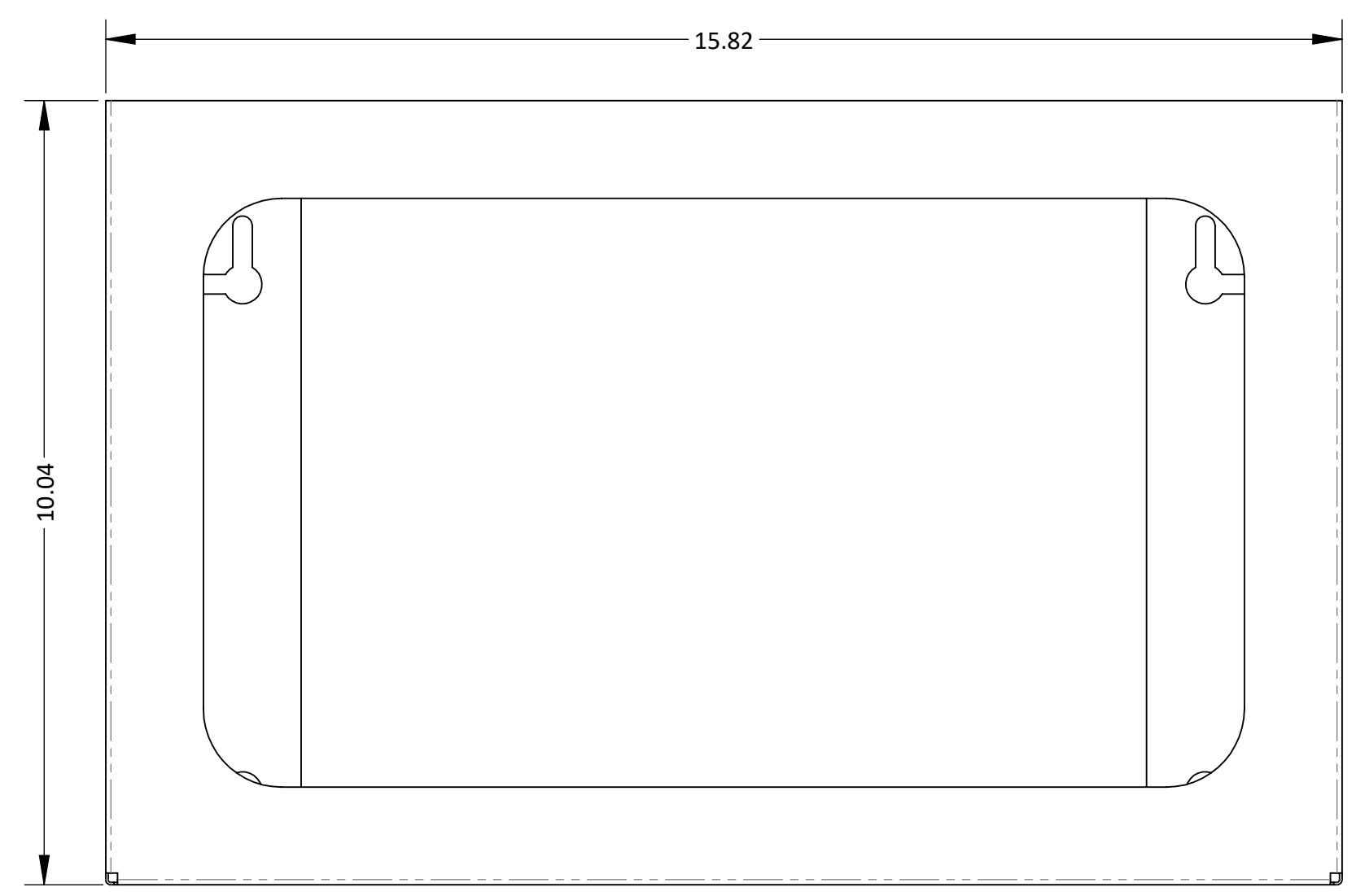
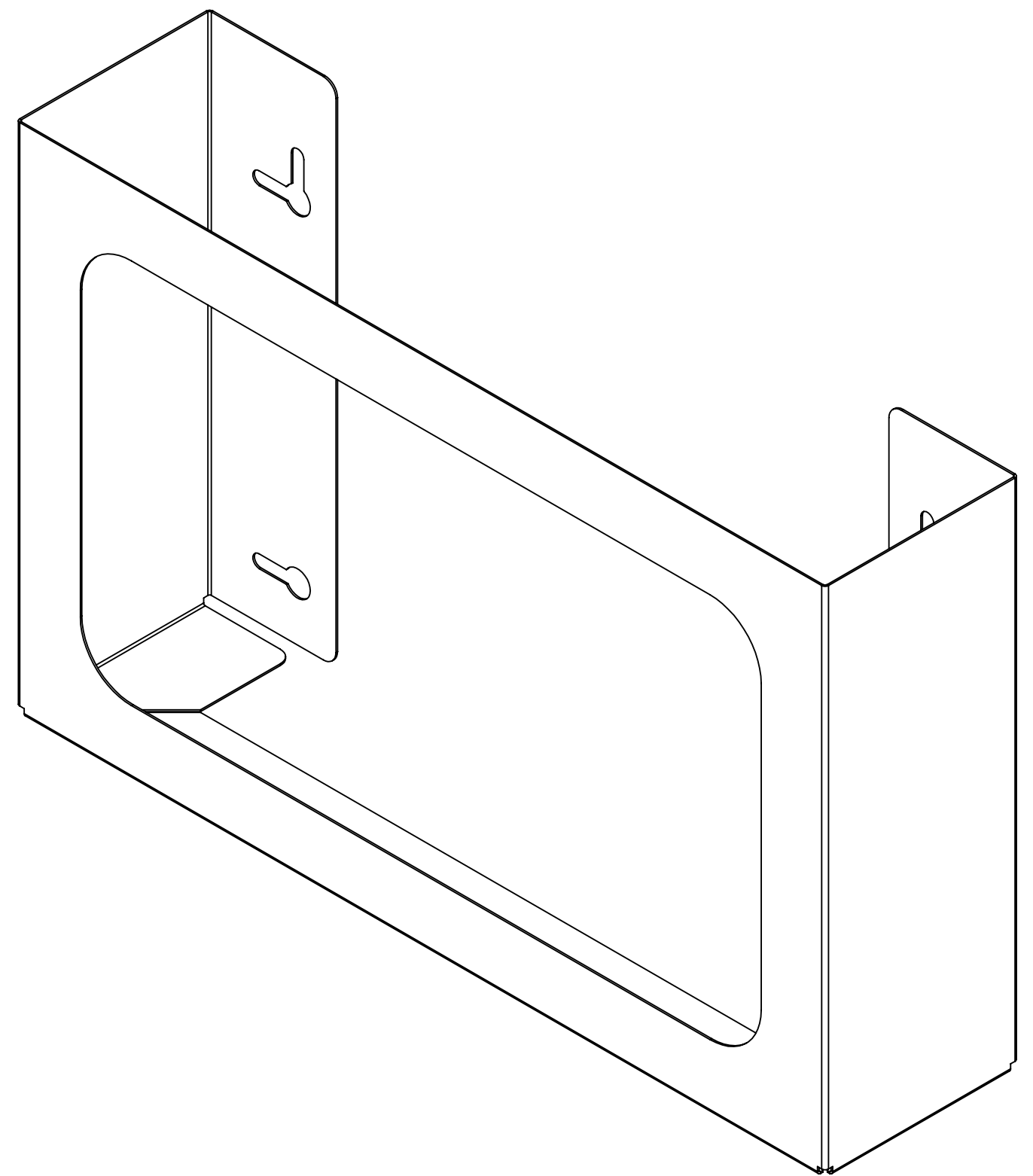
C


B

B

A

A



MATERIAL: Stainless Steel	PART NO.: GS-006	SIZE D	TOLERANCE .XX = ± .03 .XXX = ± .010 ANGULAR = ± 1°
FINISH: None	TITLE: GLOVE BOX DISPENSER - TRIPLE	SCALE 1:2	REV G
BOWMAN  Dispensers		BOWMAN Dispensers 20325 71st Ave NE, Ste D Arlington, WA 98223	
		SHEET 1 of 1	

FILE NAME: GS-006_ARCAT_SLDDRW

8 7 6 5 4 3 2 1