

8

7

6

5

4

3

DWG No. GS-122

SH 1 REV B

1

D

D

C

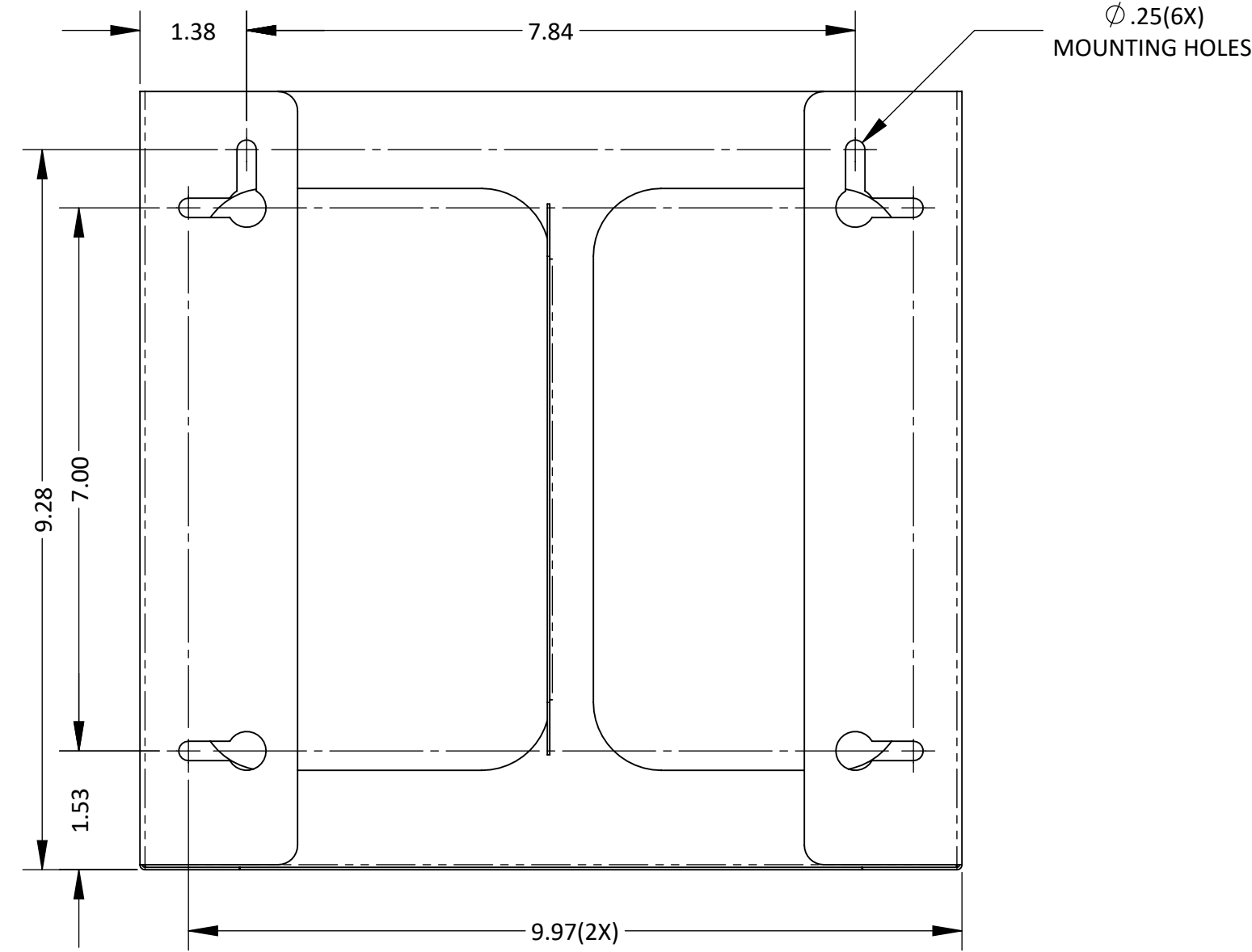
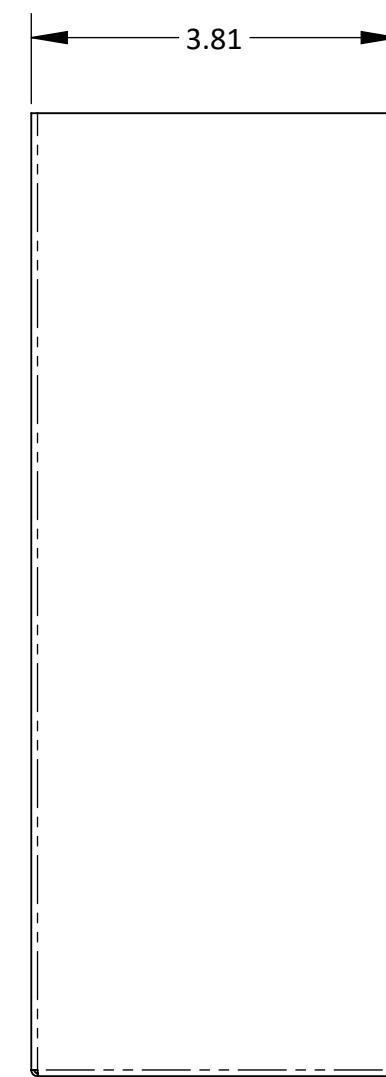
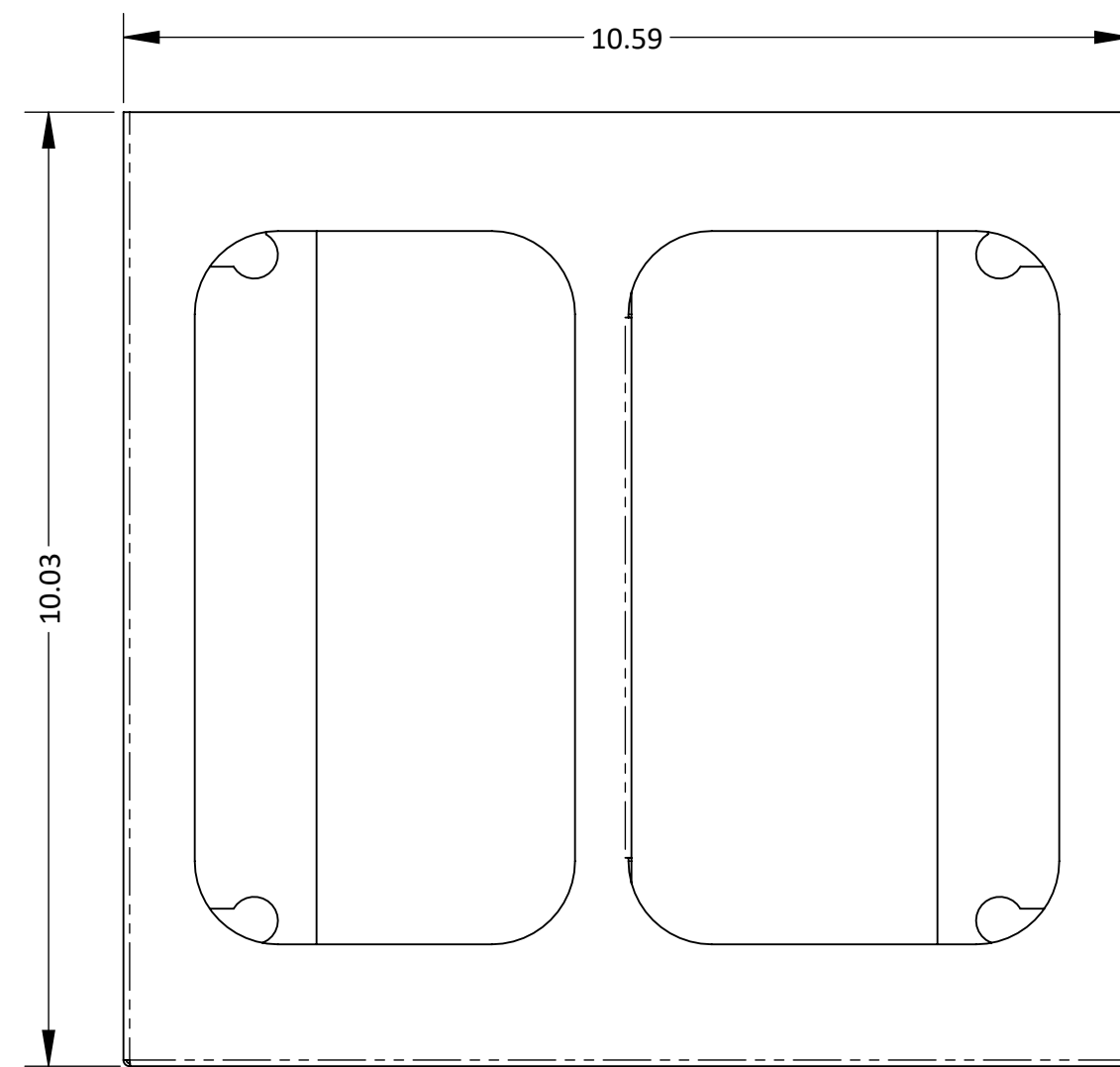
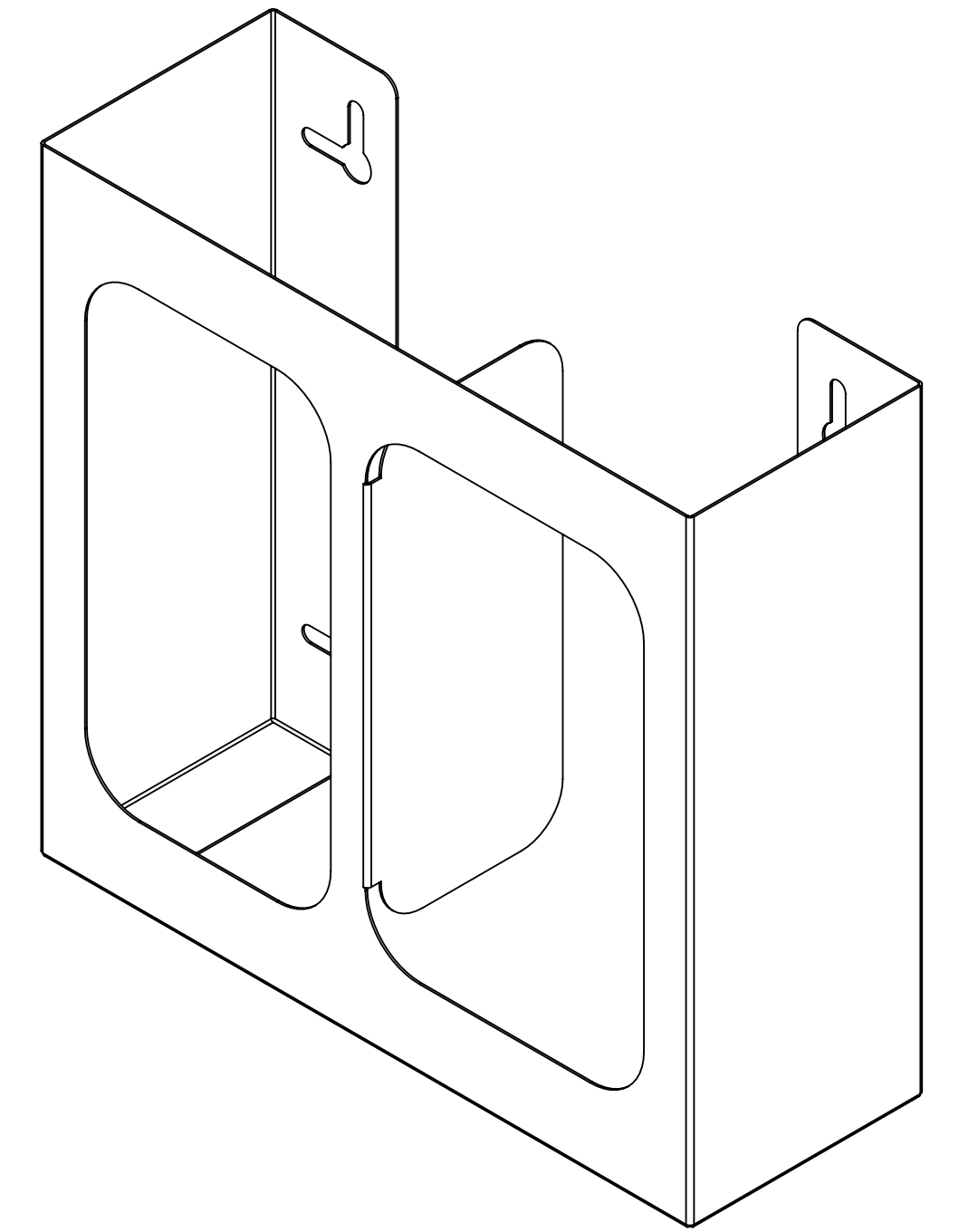
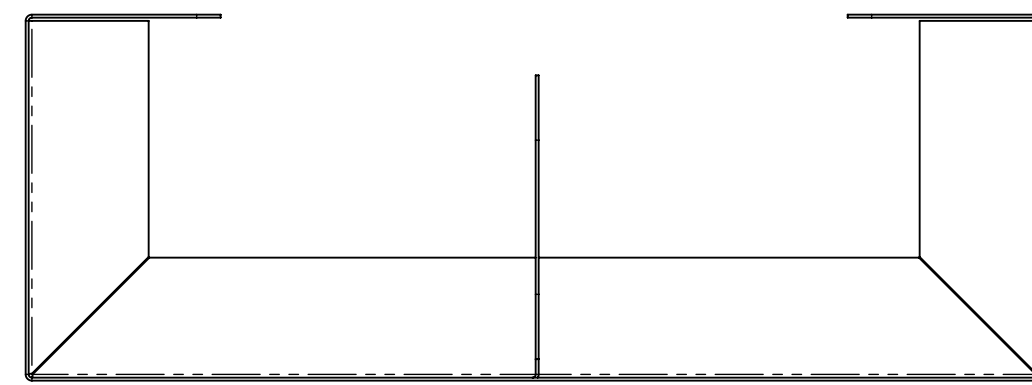
C

B

B

A

A



MATERIAL: Stainless Steel	PART NO.: GS-122	SIZE D	TOLERANCE .XX = ± .03 .XXX = ± .010 ANGULAR = ± 1°
FINISH: None	TITLE: GLOVE BOX DISPENSER - DOUBLE WITH DIVIDER	SCALE 1:2	REV B
BOWMAN Dispensers		BOWMAN Dispensers 20325 71st Ave NE, Ste D Arlington, WA 98223	
		SHEET 1 OF 1	

8

7

6

5

4

3

2

1

FILE NAME: GS-122_ARCAT_SLDDRW