

D

D

C

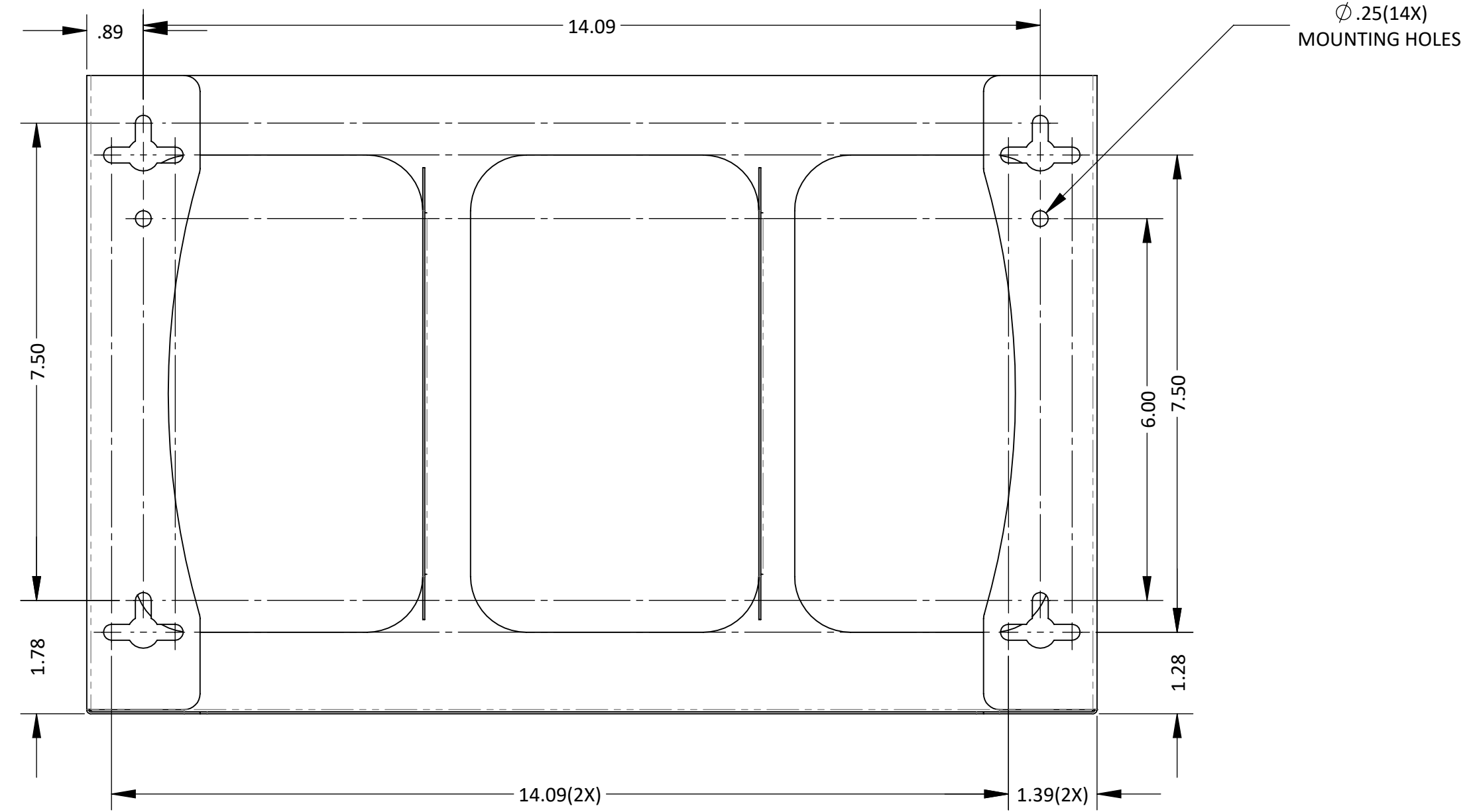
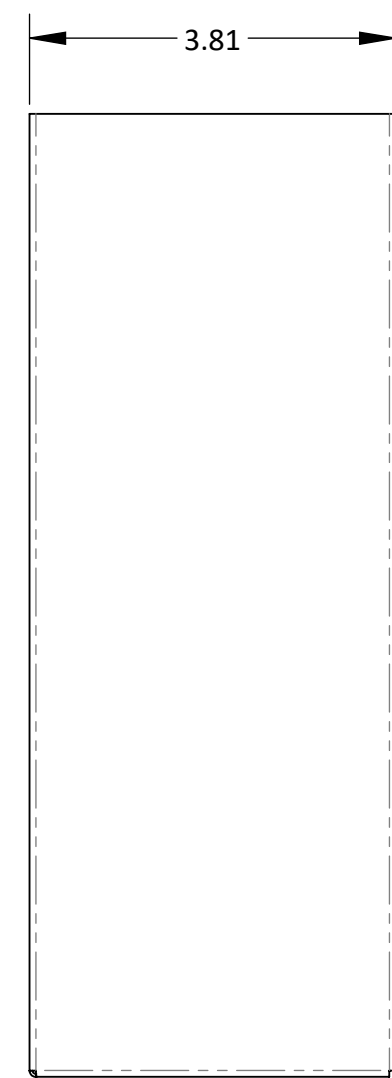
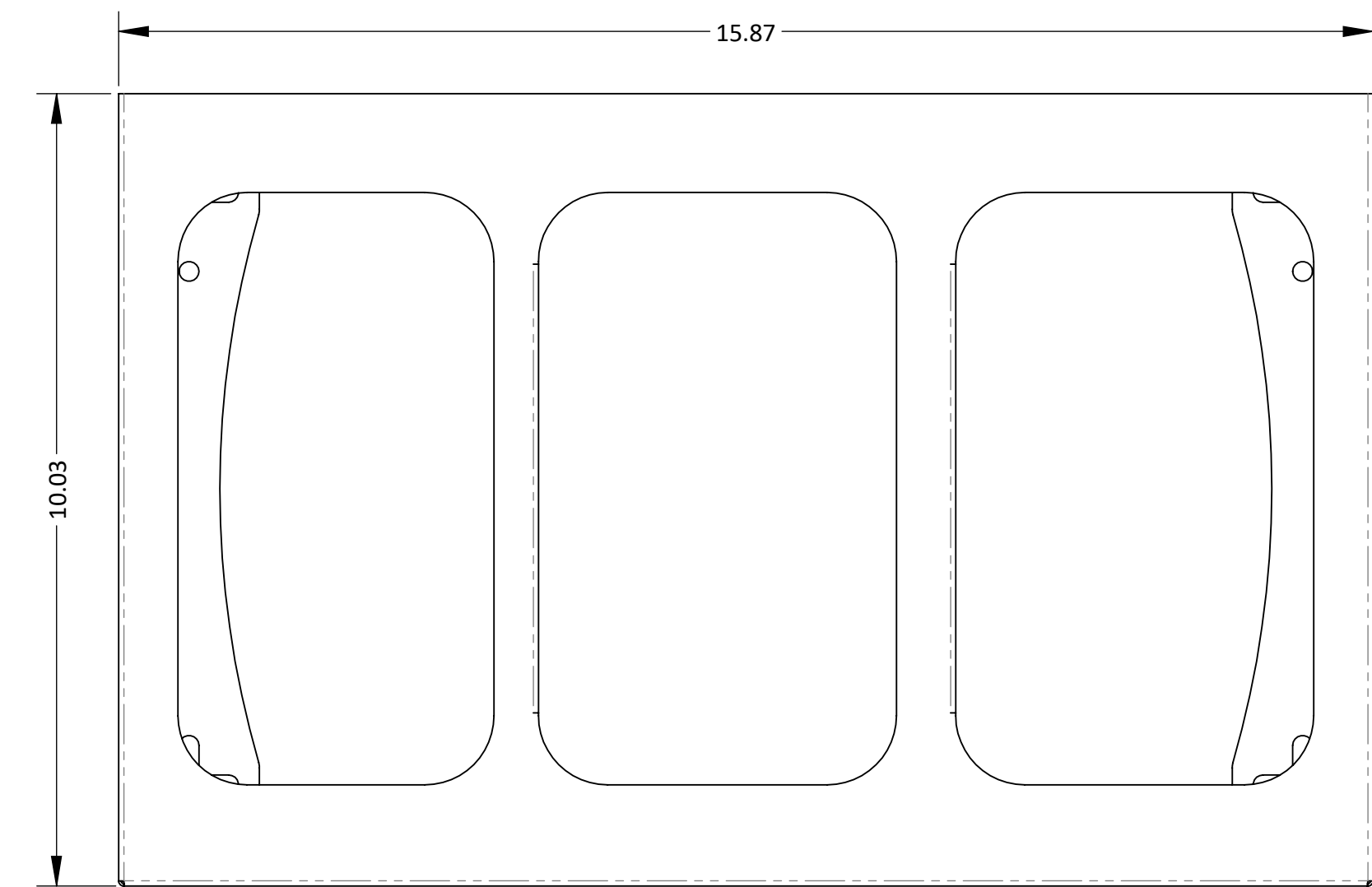
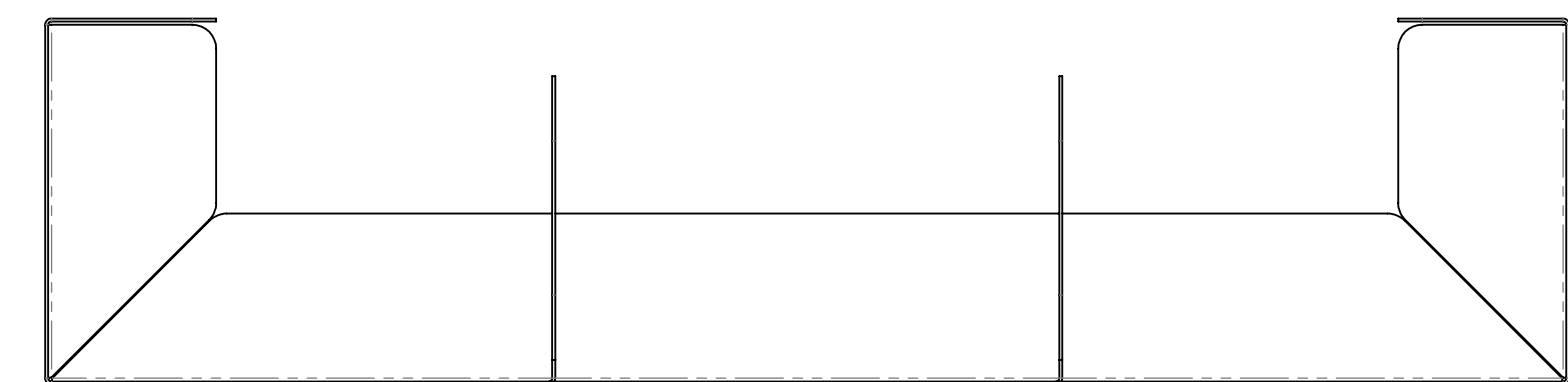
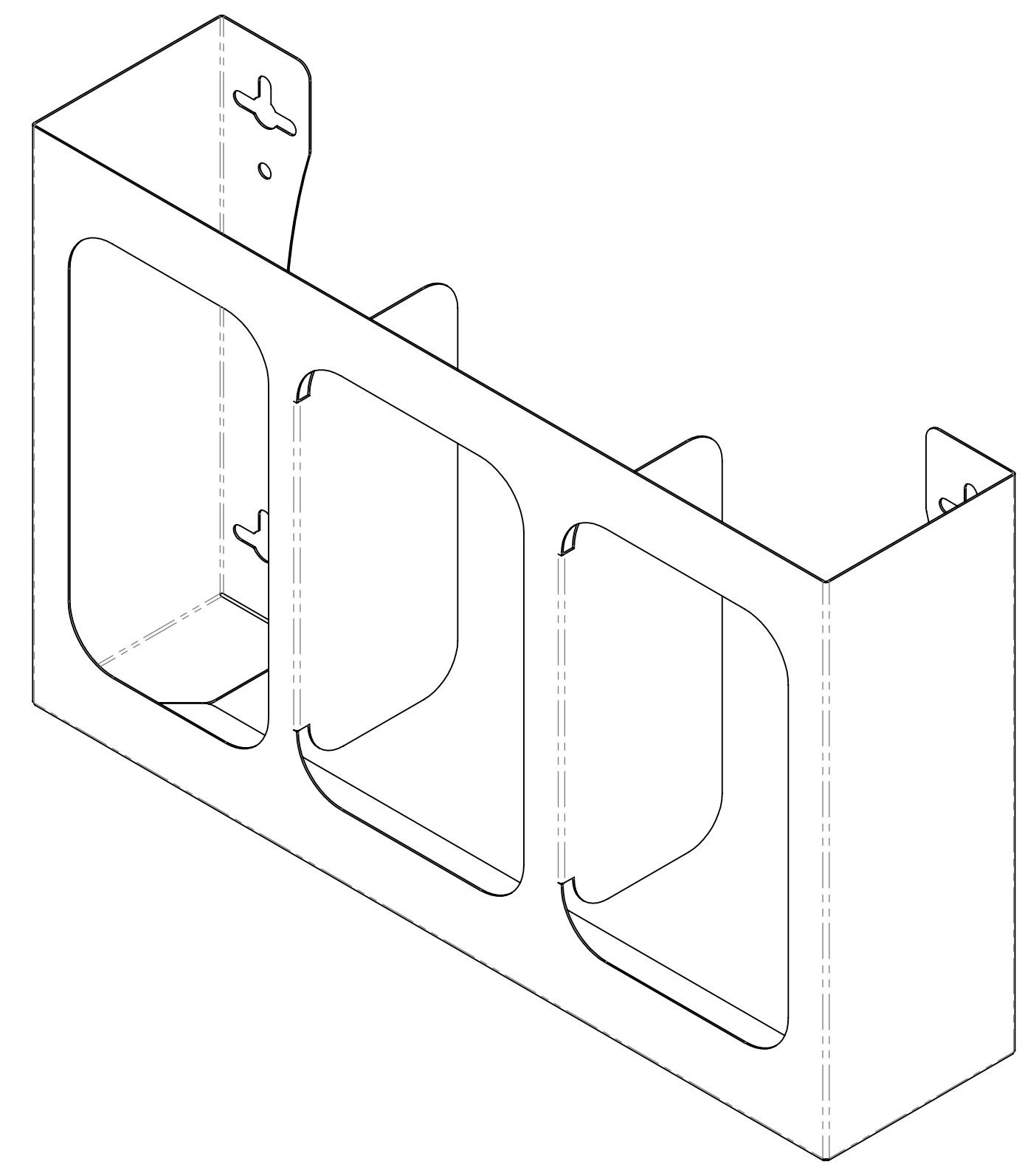
C


B

B

A

A



MATERIAL: Stainless Steel	PART NO.: <b>GS-123</b>	SIZE D	TOLERANCE .XX = ± .03 .XXX = ± .010 ANGULAR = ± 1°
FINISH: None	TITLE: GLOVE BOX DISPENSER - TRIPLE WITH DIVIDERS	SCALE 1:2	REV D
<b>BOWMAN</b>  <b>Dispensers</b>		BOWMAN Dispensers 20325 71st Ave NE, Ste D Arlington, WA 98223	
		SHEET 1 of 1	

FILE NAME: GS-123\_ARCAT\_SLDDRW