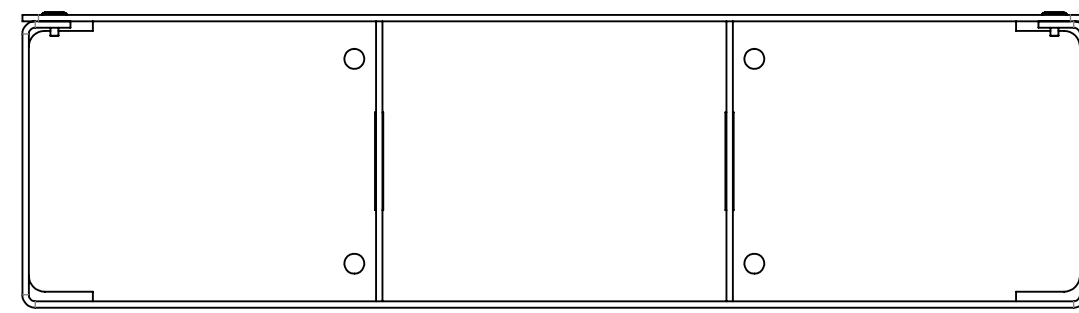


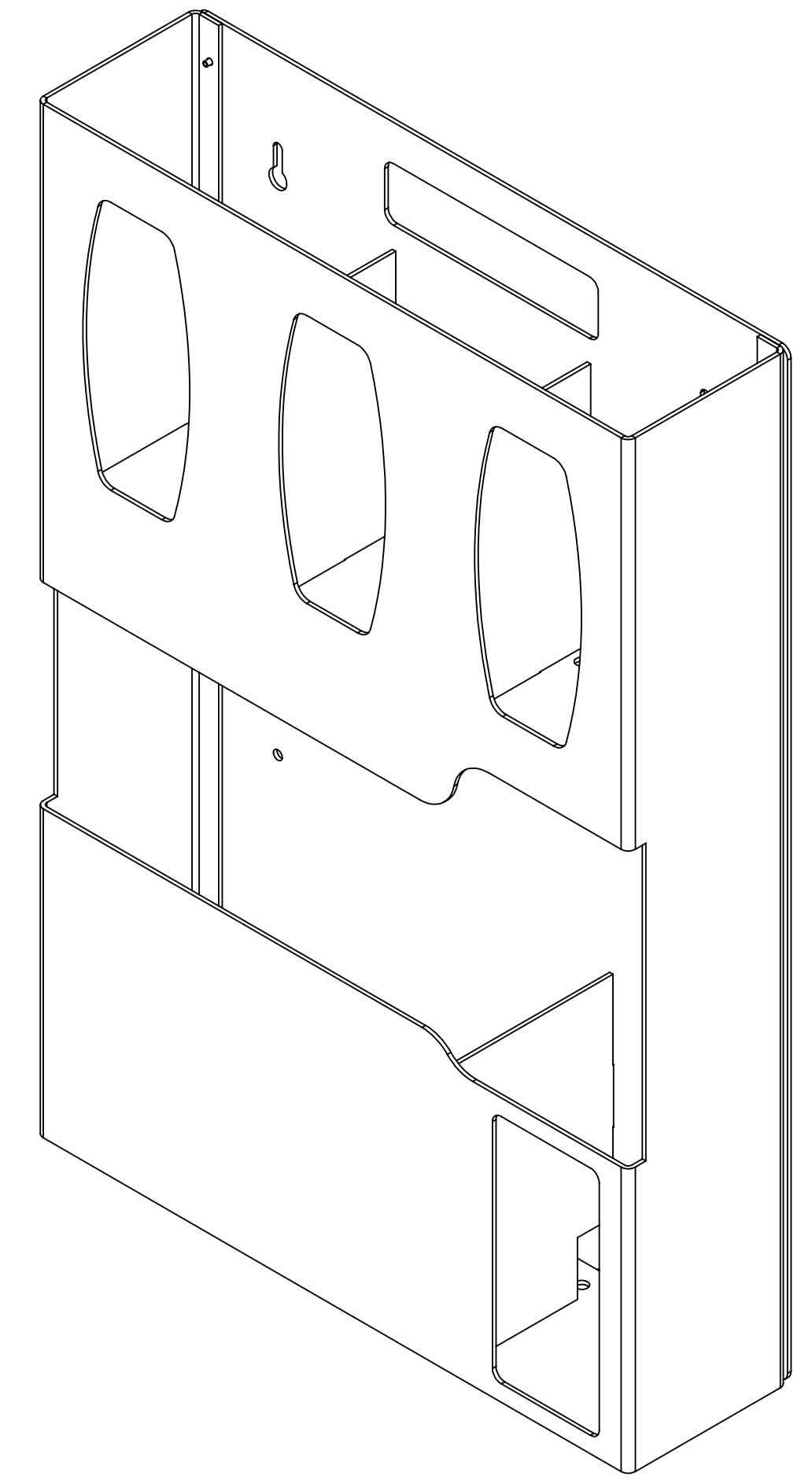
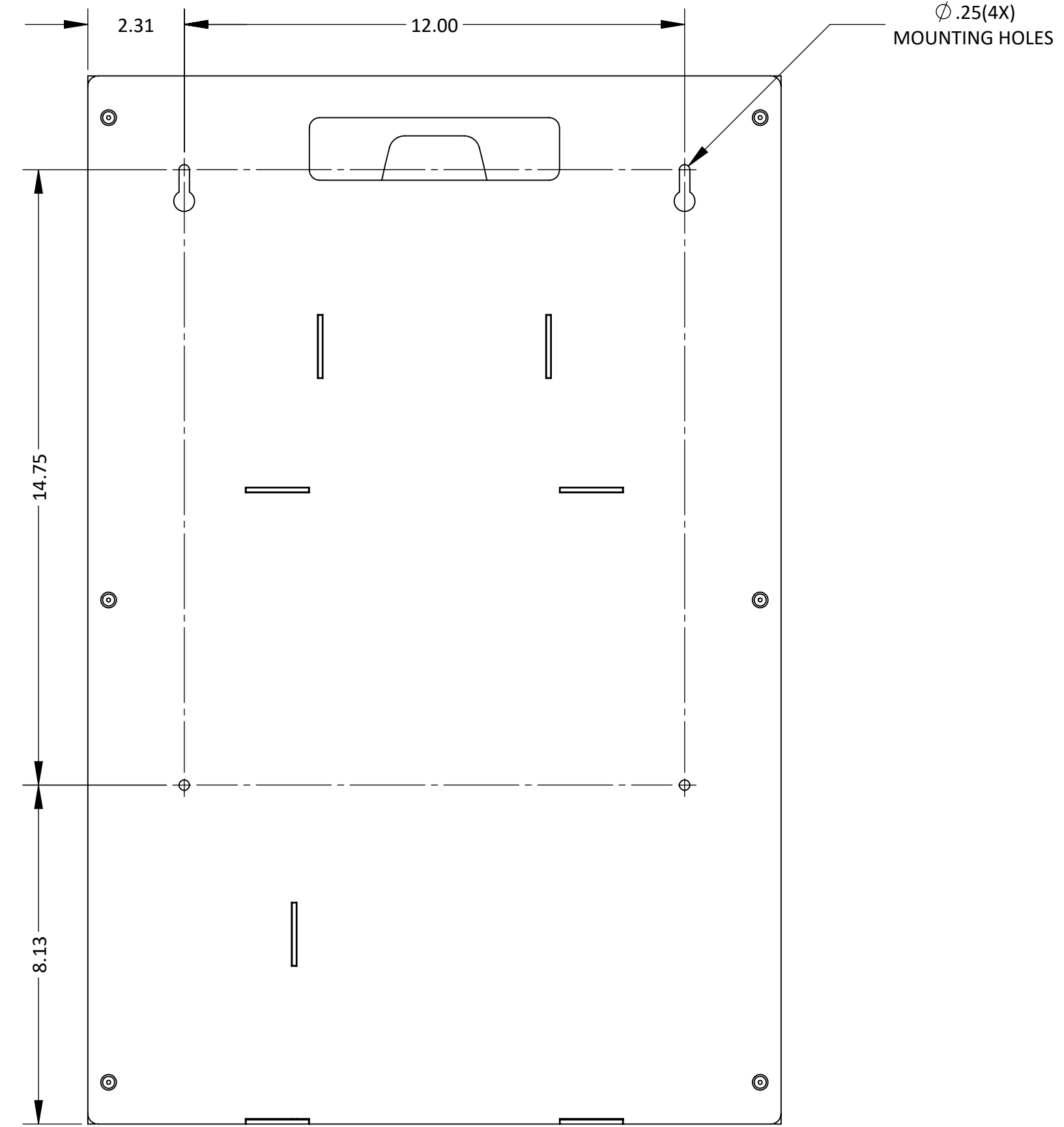
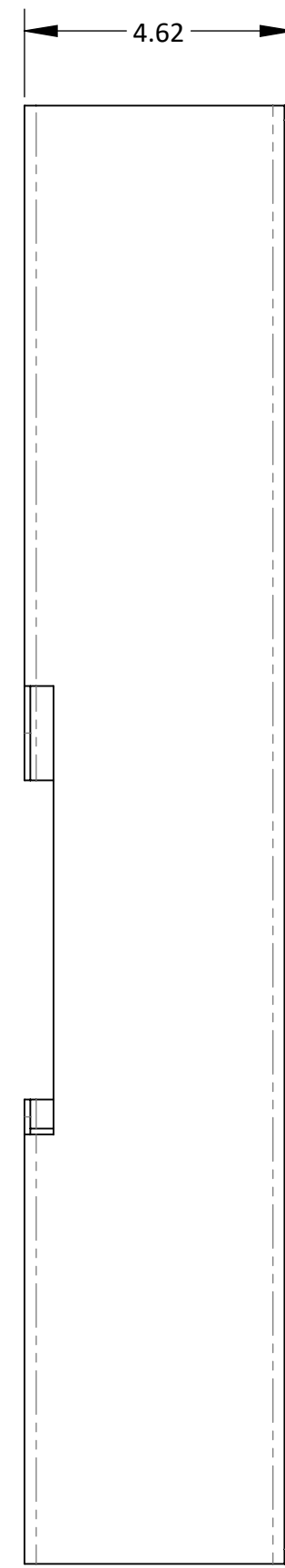
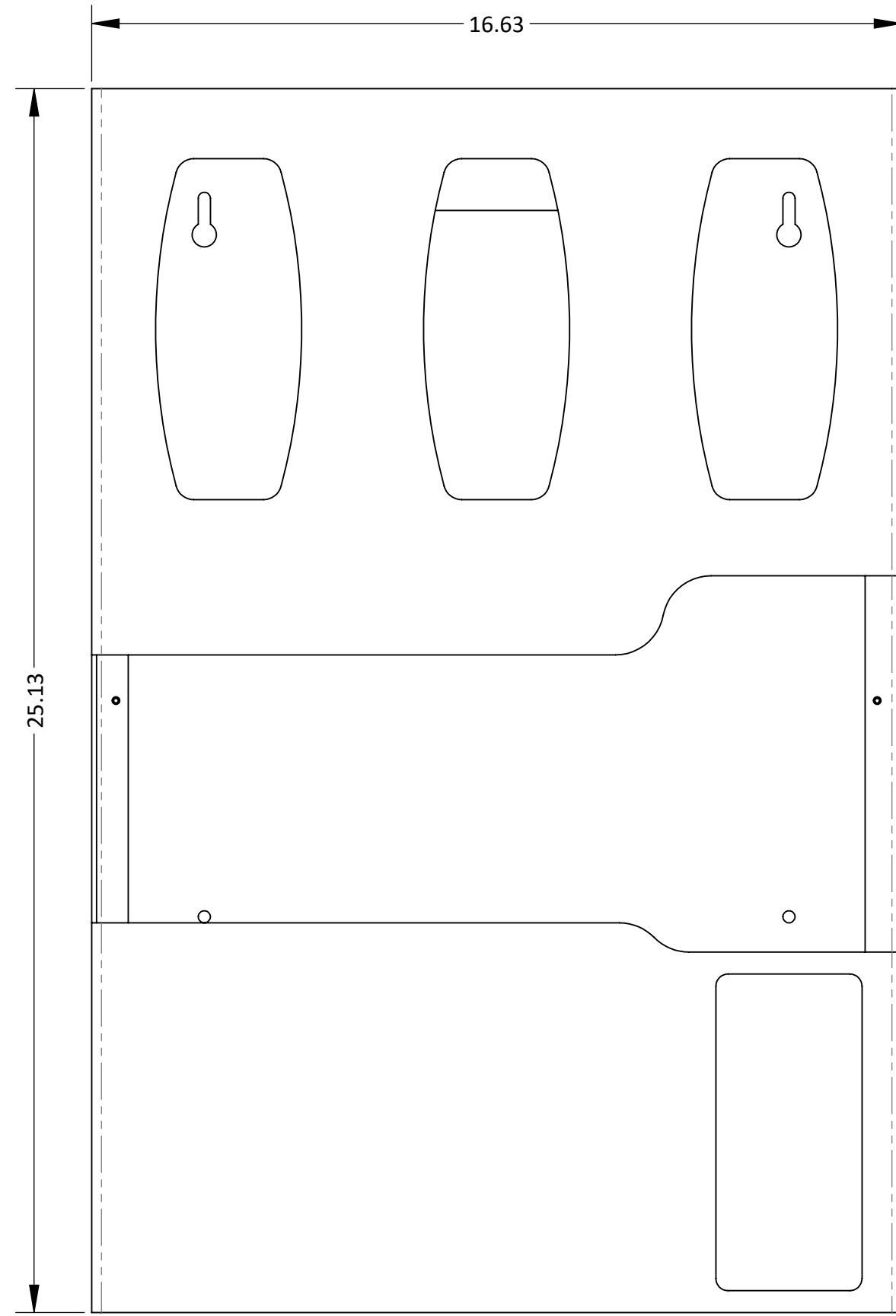
D

D



C

C



B

B

A

A

MATERIAL: ABS Plastic	PART NO.: LD-007	<table border="1"> <tr> <td>SIZE D</td> <td>TOLERANCE .XX = ± .03 .XXX = ± .010 ANGULAR = ± 1°</td> </tr> <tr> <td>SCALE 1:3</td> <td>REV M</td> </tr> </table>	SIZE D	TOLERANCE .XX = ± .03 .XXX = ± .010 ANGULAR = ± 1°	SCALE 1:3	REV M
SIZE D	TOLERANCE .XX = ± .03 .XXX = ± .010 ANGULAR = ± 1°					
SCALE 1:3	REV M					
FINISH: Quartz Beige	TITLE: PROTECTION SYSTEM	SHEET 1 of 1				
BOWMAN® 		BOWMAN Dispensers 20325 71st Ave NE, Ste D Arlington, WA 98223				

FILE NAME: LD-007_ARCAT_SLDDRW