

D

D

C

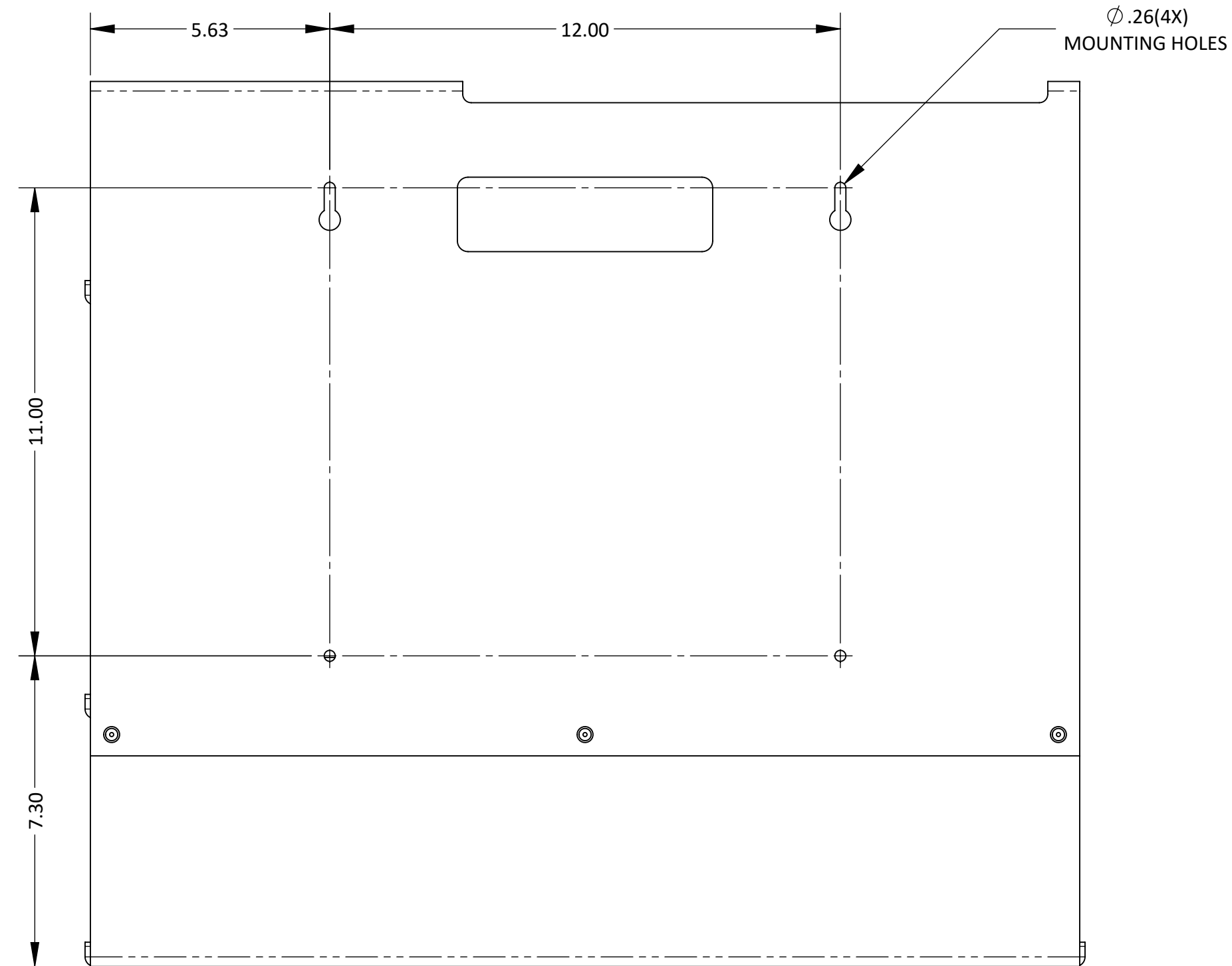
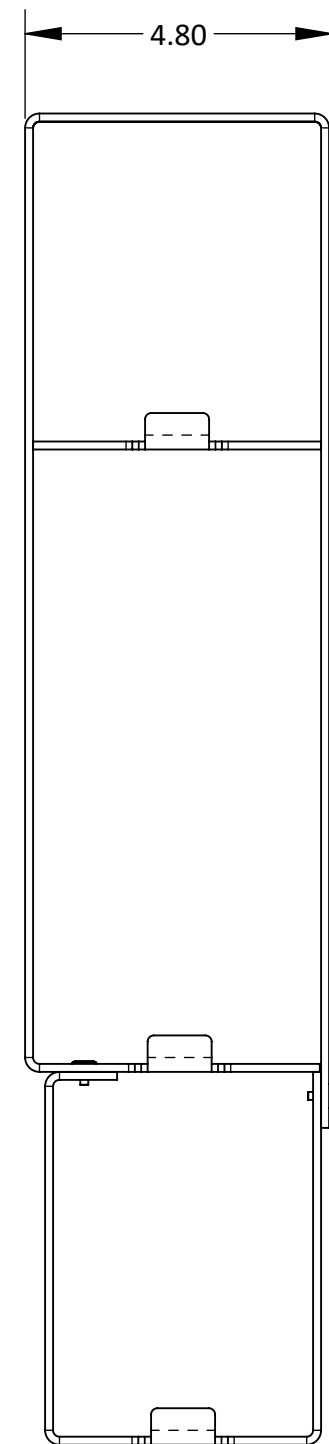
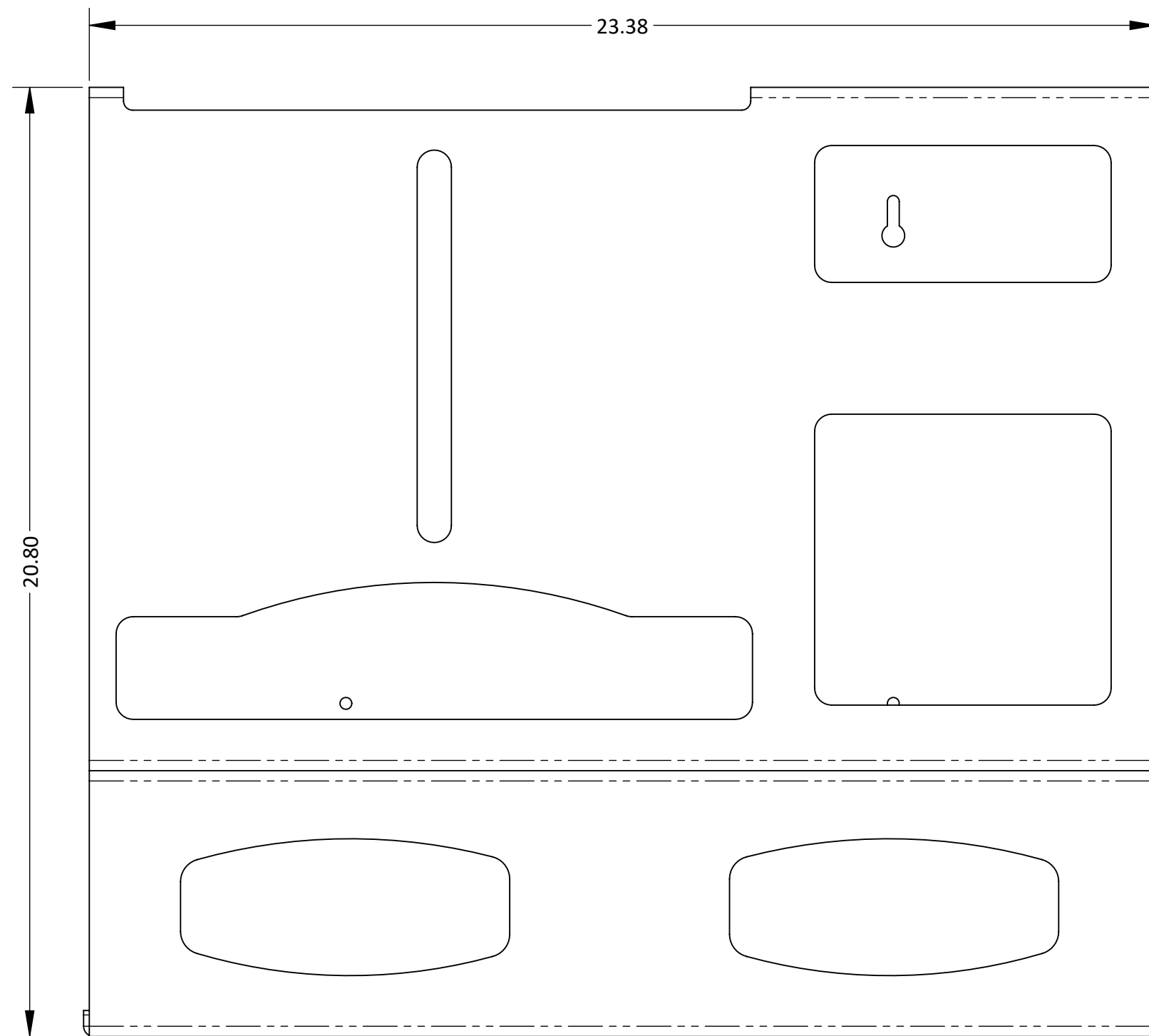
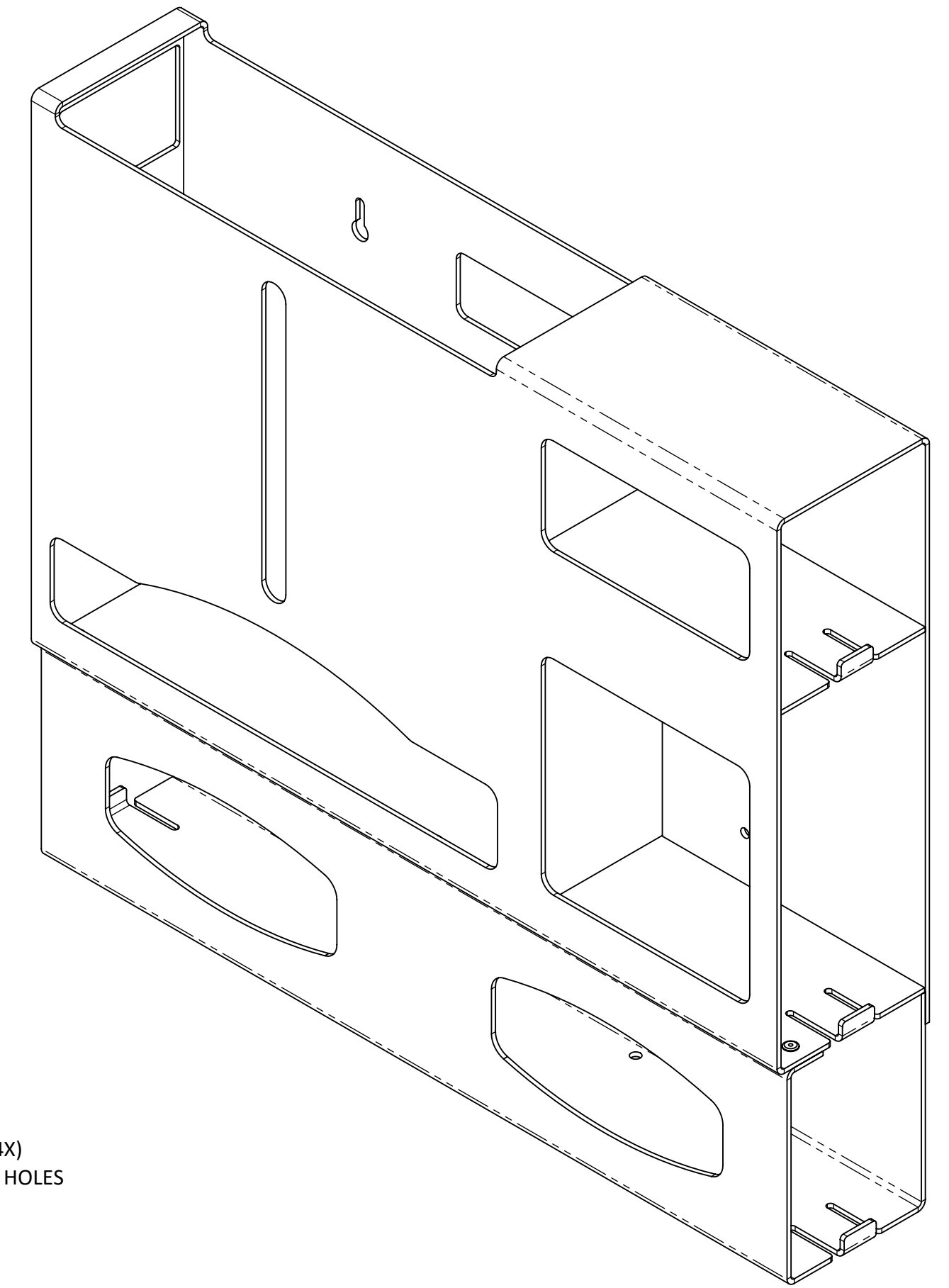
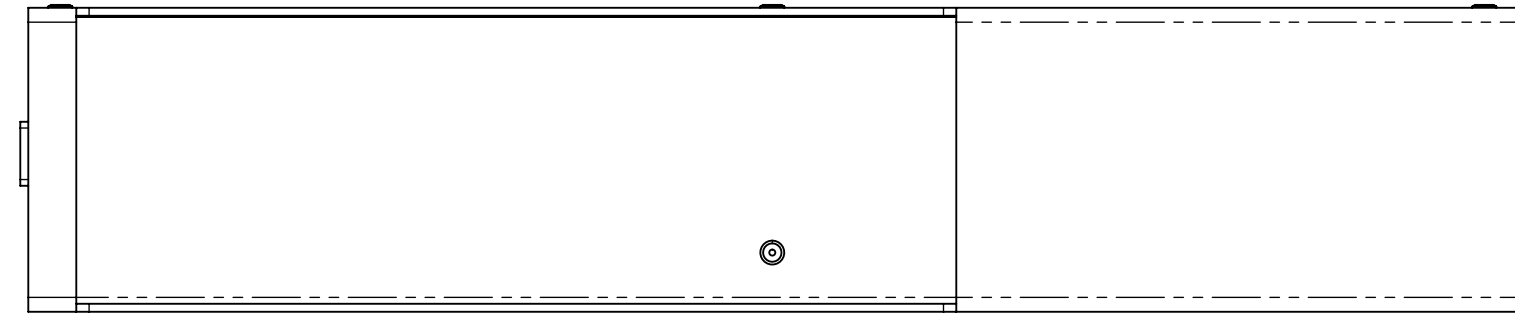
C

B

B

A

A



MATERIAL: ABS Plastic	PART NO.: LD-037	<table border="1"> <tr> <td>SIZE D</td> <td>TOLERANCE .XX = ± .03 .XXX = ± .010 ANGULAR = ± 1°</td> </tr> <tr> <td>SCALE 1:3</td> <td>REV D</td> </tr> </table>	SIZE D	TOLERANCE .XX = ± .03 .XXX = ± .010 ANGULAR = ± 1°	SCALE 1:3	REV D
SIZE D	TOLERANCE .XX = ± .03 .XXX = ± .010 ANGULAR = ± 1°					
SCALE 1:3	REV D					
FINISH: Quartz Beige	TITLE: PROTECTION SYSTEM	<table border="1"> <tr> <td>BOWMAN® Dispensers</td> <td>BOWMAN Dispensers 20325 71st Ave NE, Ste D Arlington, WA 98223</td> <td>SHEET 1 of 1</td> </tr> </table>	BOWMAN® Dispensers	BOWMAN Dispensers 20325 71st Ave NE, Ste D Arlington, WA 98223	SHEET 1 of 1	
BOWMAN® Dispensers	BOWMAN Dispensers 20325 71st Ave NE, Ste D Arlington, WA 98223	SHEET 1 of 1				

FILE NAME: LD-037_ARCAT_SLDDRW