

8

7

6

5

4

3

DWG No. PD100-0212

SH 1 REV C

1

D

C

B

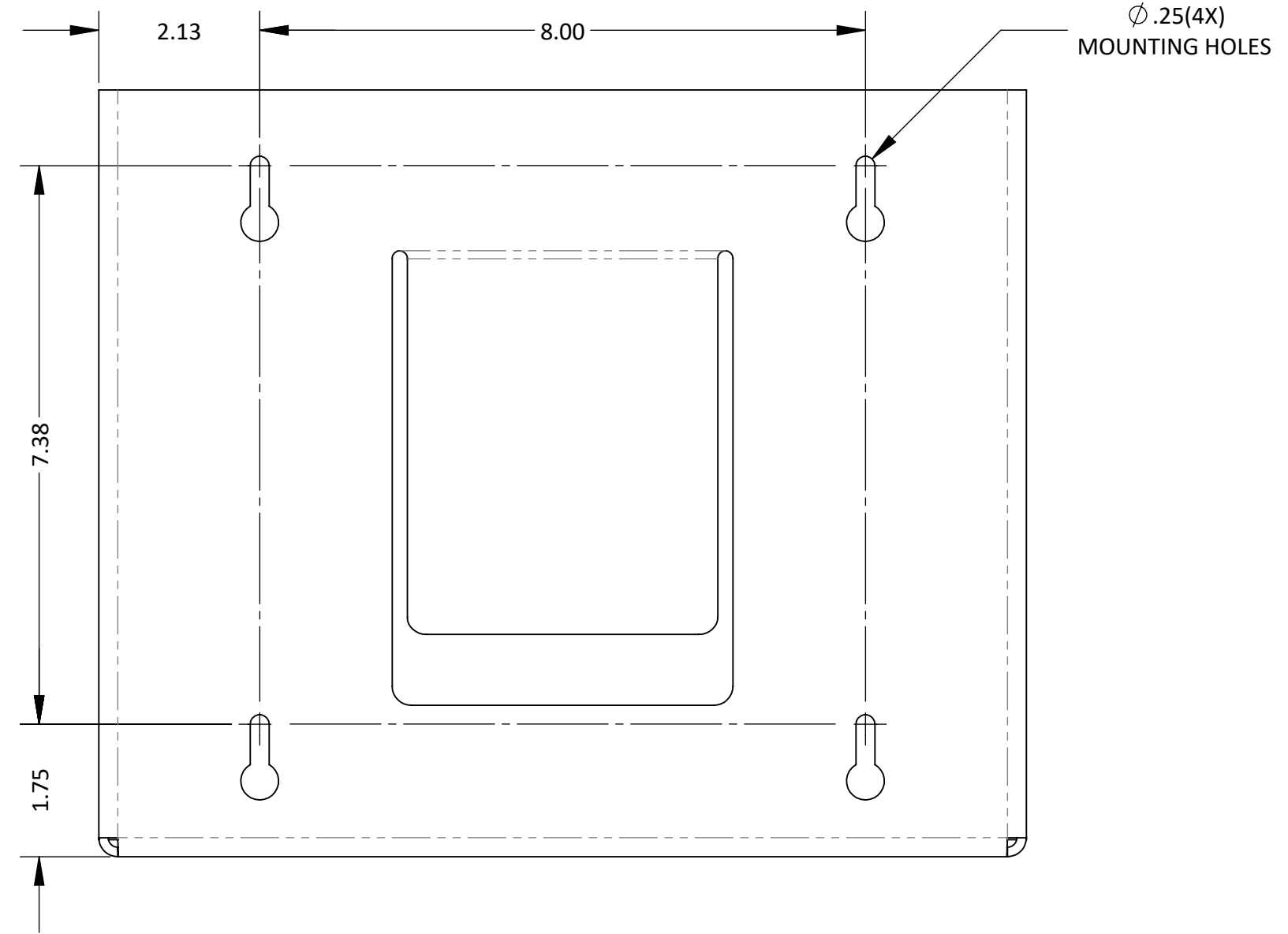
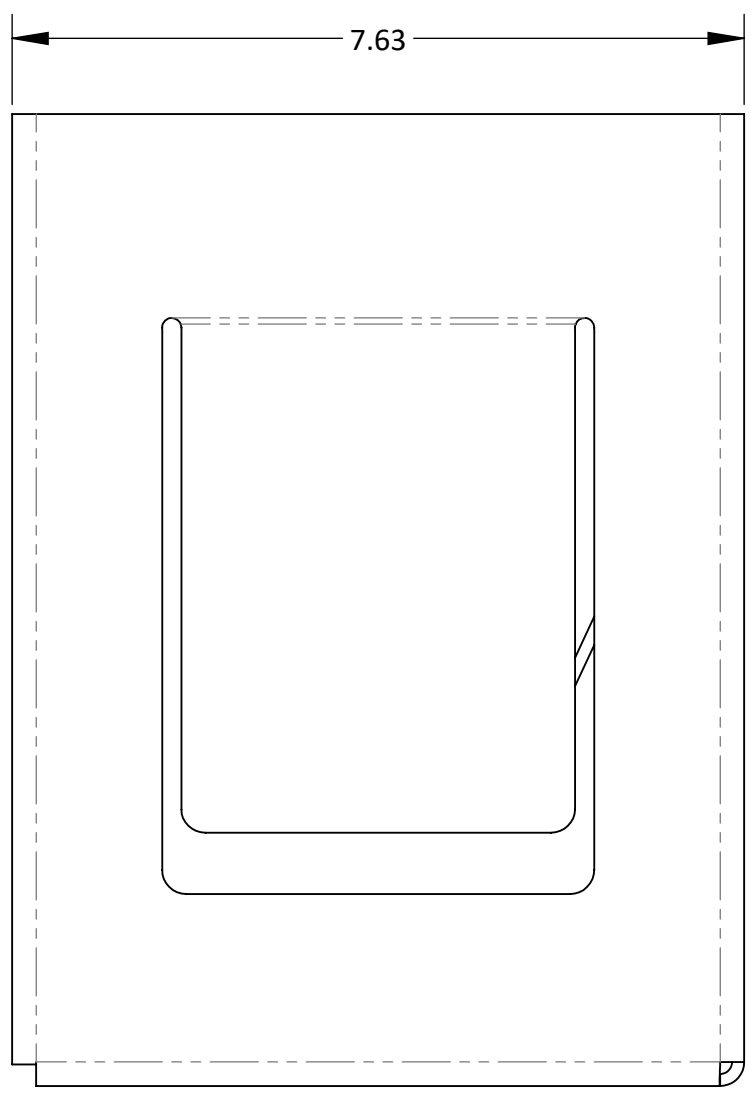
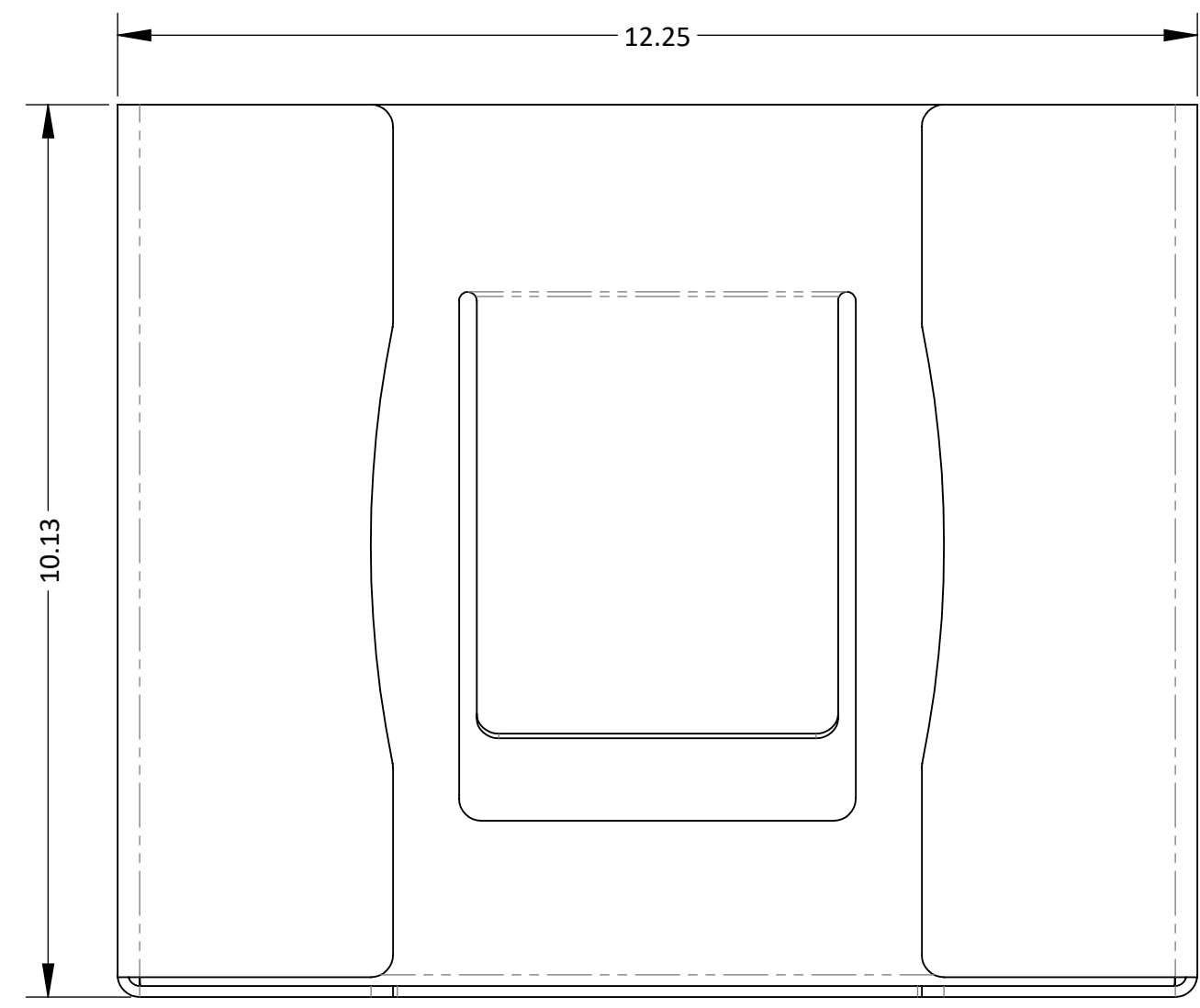
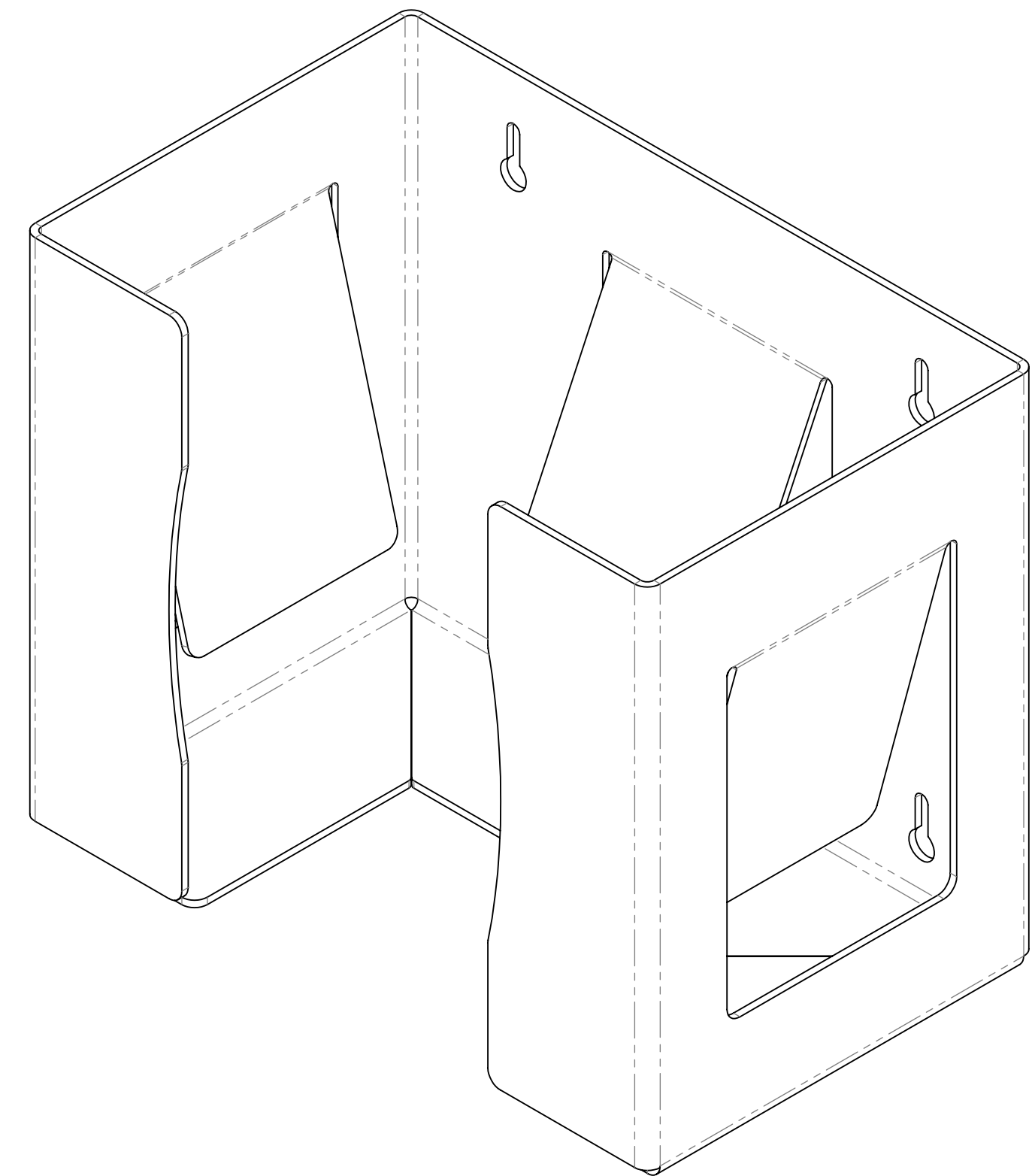
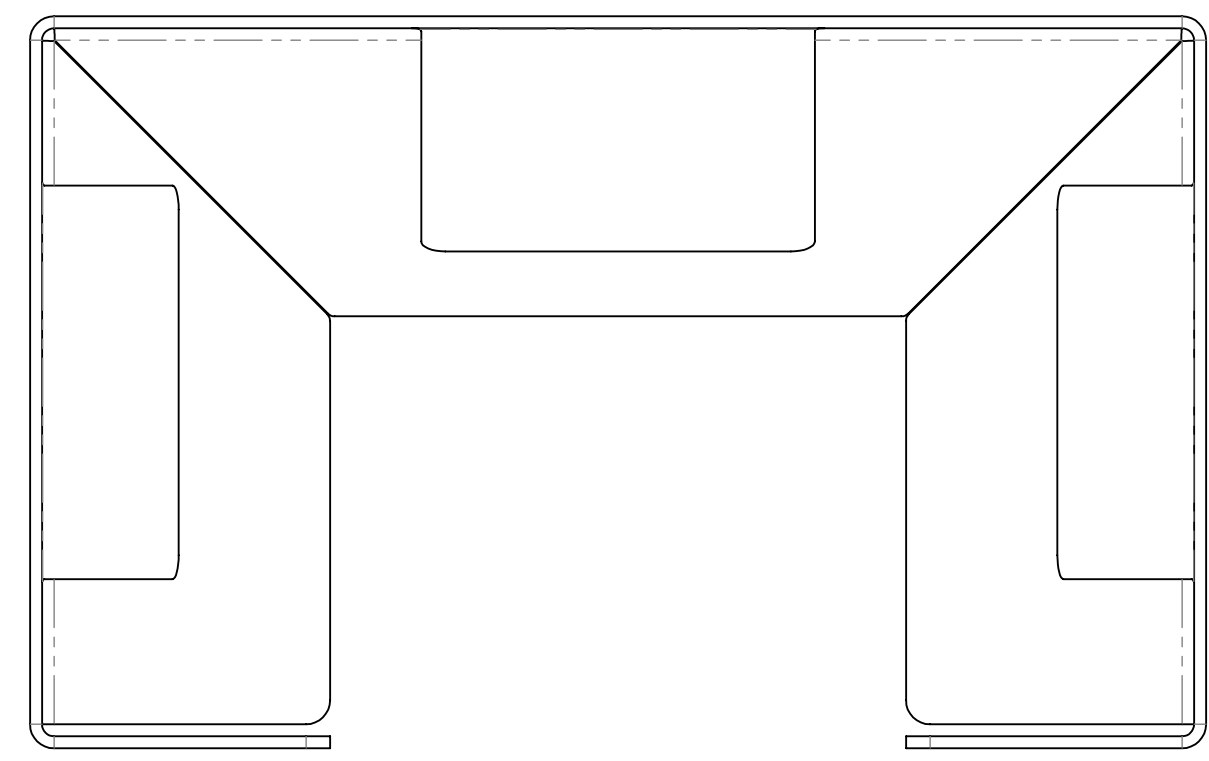
A

D

C

B

A



MATERIAL: ABS Plastic	PART NO.: PD100-0212	SIZE D	TOLERANCE .XX = ± .03 .XXX = ± .010 ANGULAR = ± 1°
FINISH: Quartz Beige	TITLE: PROTECTION DISPENSER - UNIVERSAL BOXED - SHOE COVERS/WIPES/CAPS/OTHER	SCALE 1:2	REV C
BOWMAN Dispensers	BOWMAN Dispensers 20325 71st Ave NE, Ste D Arlington, WA 98223	SHEET 1 of 1	

FILE NAME: PD100-0212_ARCAT.SLIDRW