

D

C

B

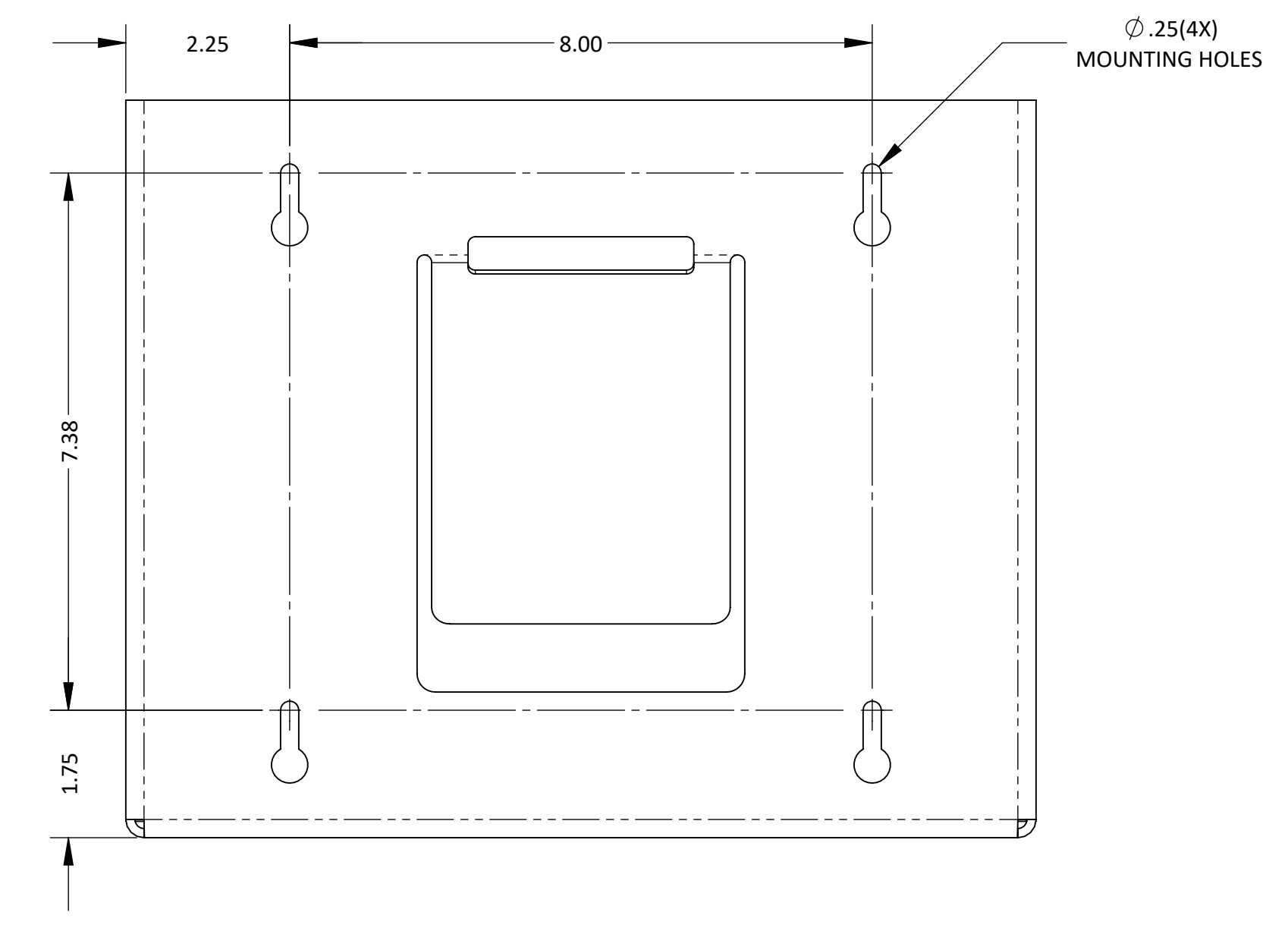
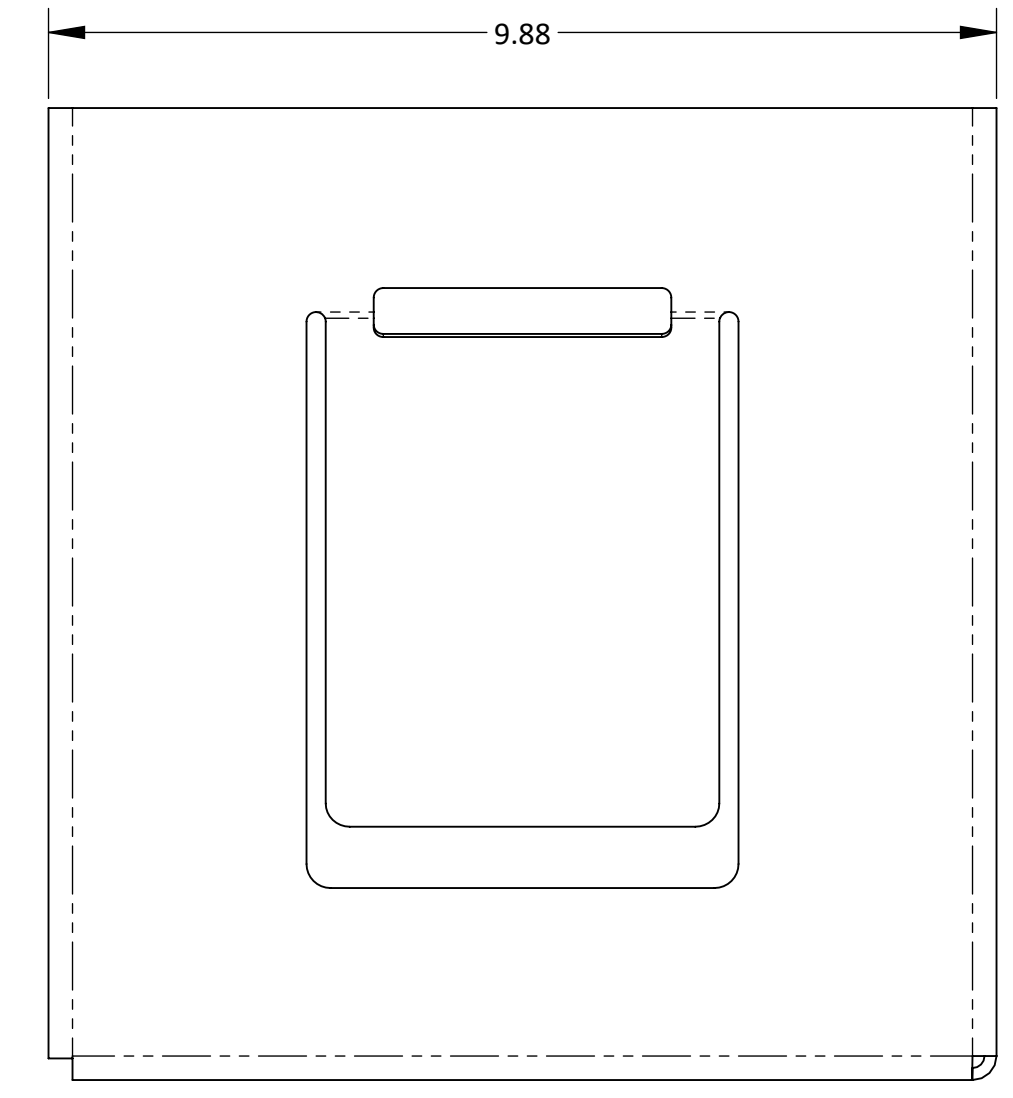
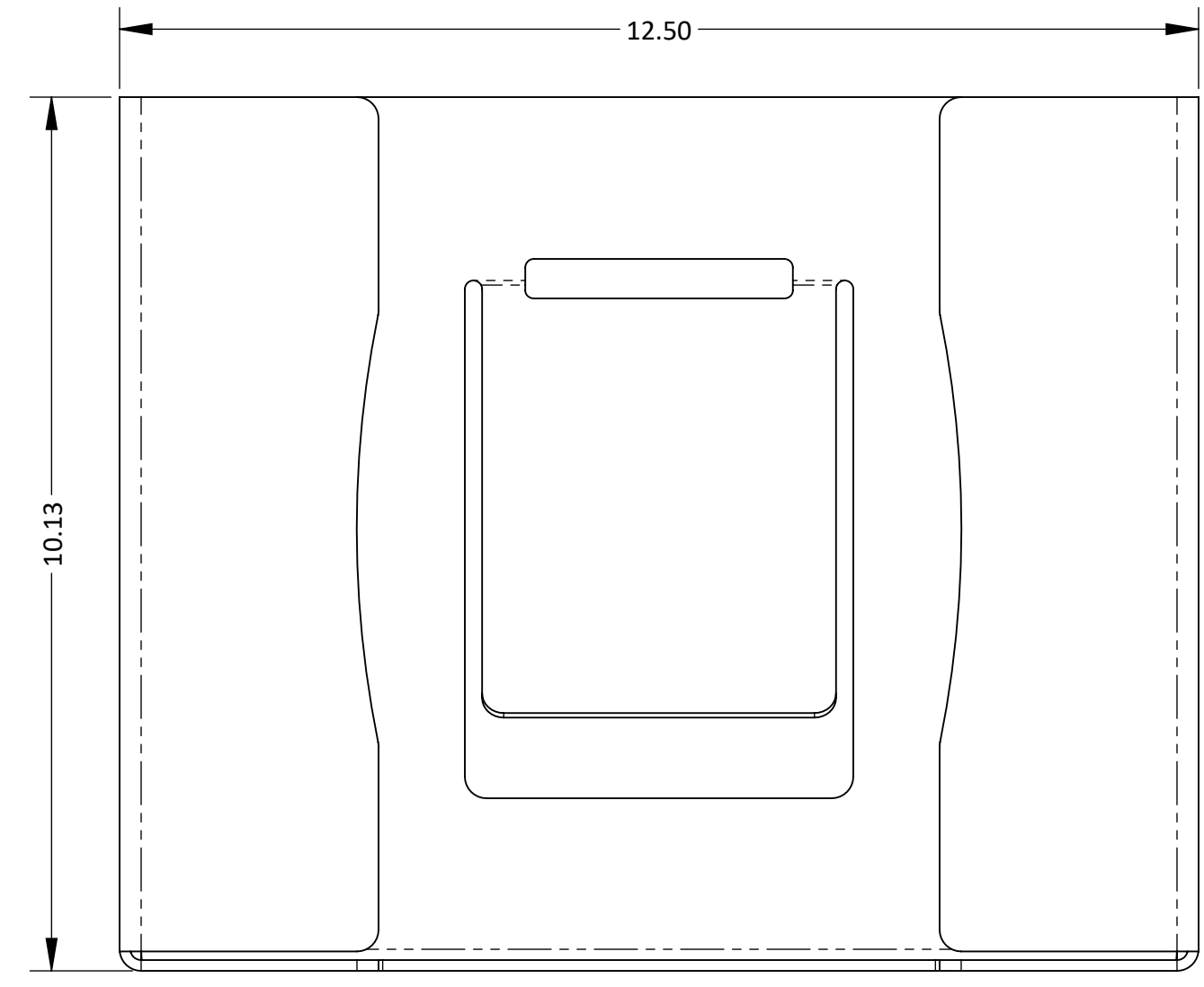
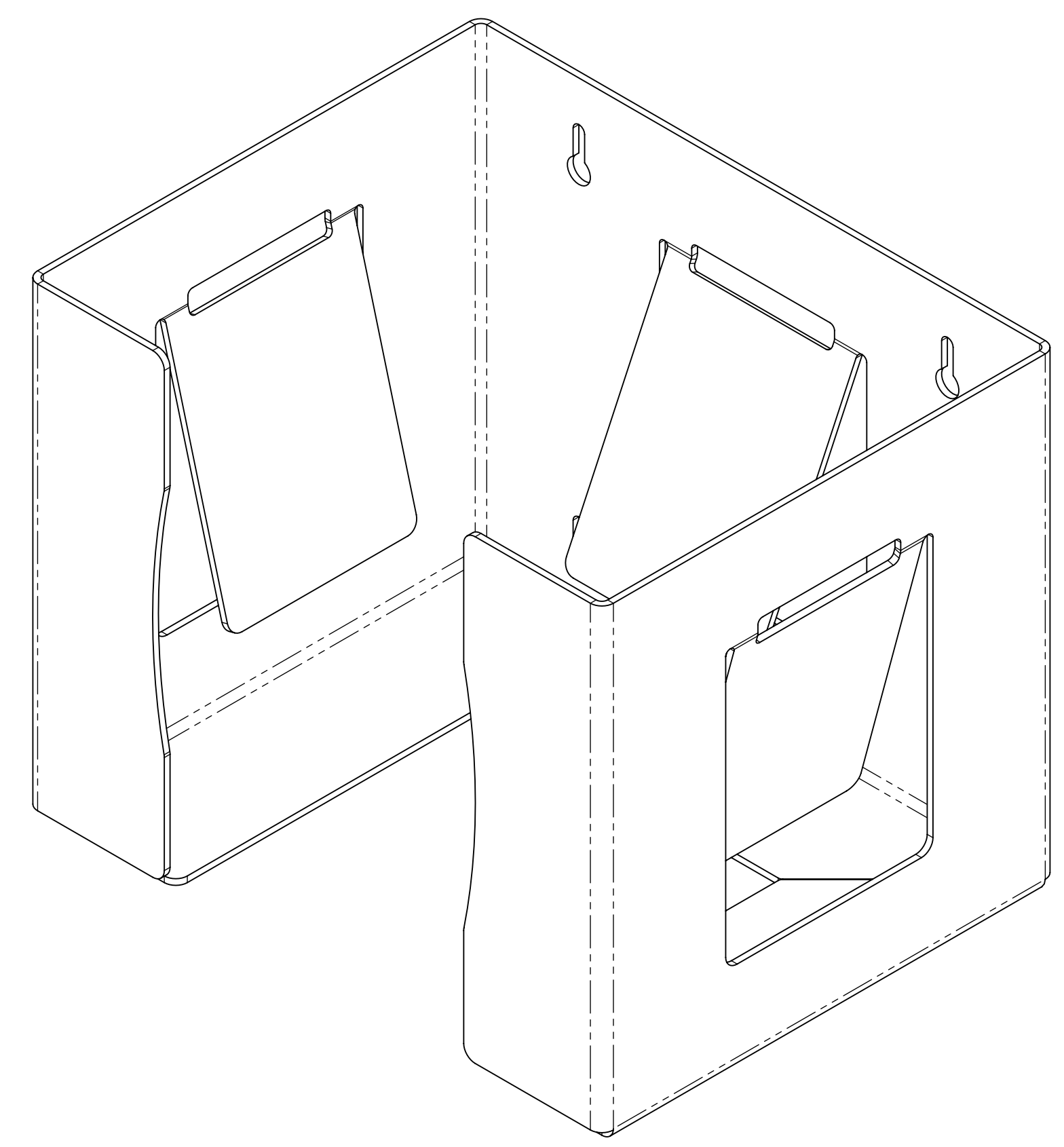
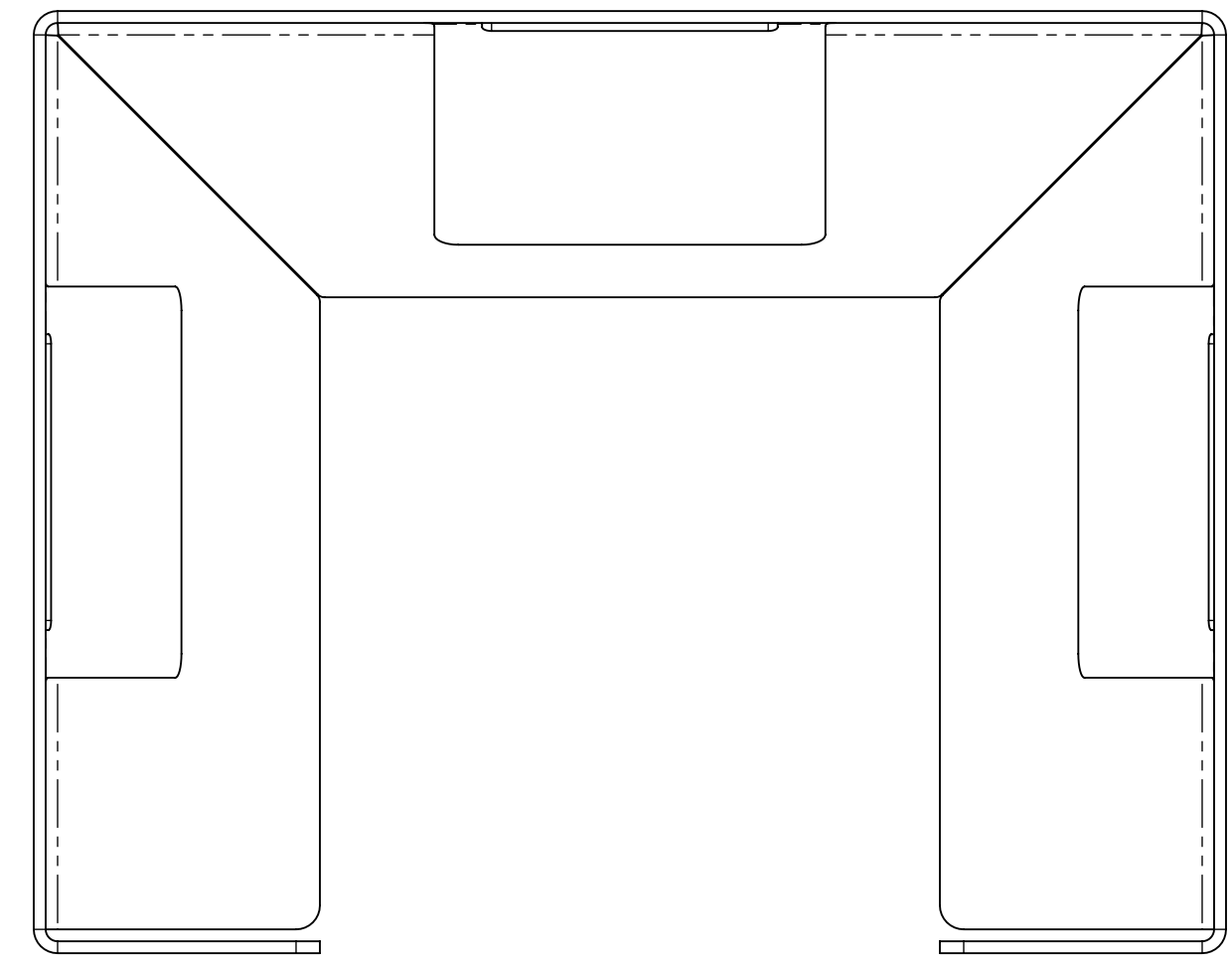
A


D

C

B

A



MATERIAL: ABS Plastic	PART NO.: PD200-0212	SIZE D	TOLERANCE .XX = ± .03 .XXX = ± .010 ANGULAR = ± 1°
FINISH: Quartz Beige	TITLE: PROTECTION DISPENSER - UNIVERSAL BOXED - SHOE COVER/CAP/OTHER - LARGE	SCALE 1:2	REV D
BOWMAN  Dispensers		BOWMAN Dispensers 20325 71st Ave NE, Ste D Arlington, WA 98223	SHEET 1 of 1

FILE NAME: PD200-0212_ARCAT.SLIDRW