

8

7

6

5

4

3

DWG No. PS016-0212

SH 1 REV A

1

D

D

C

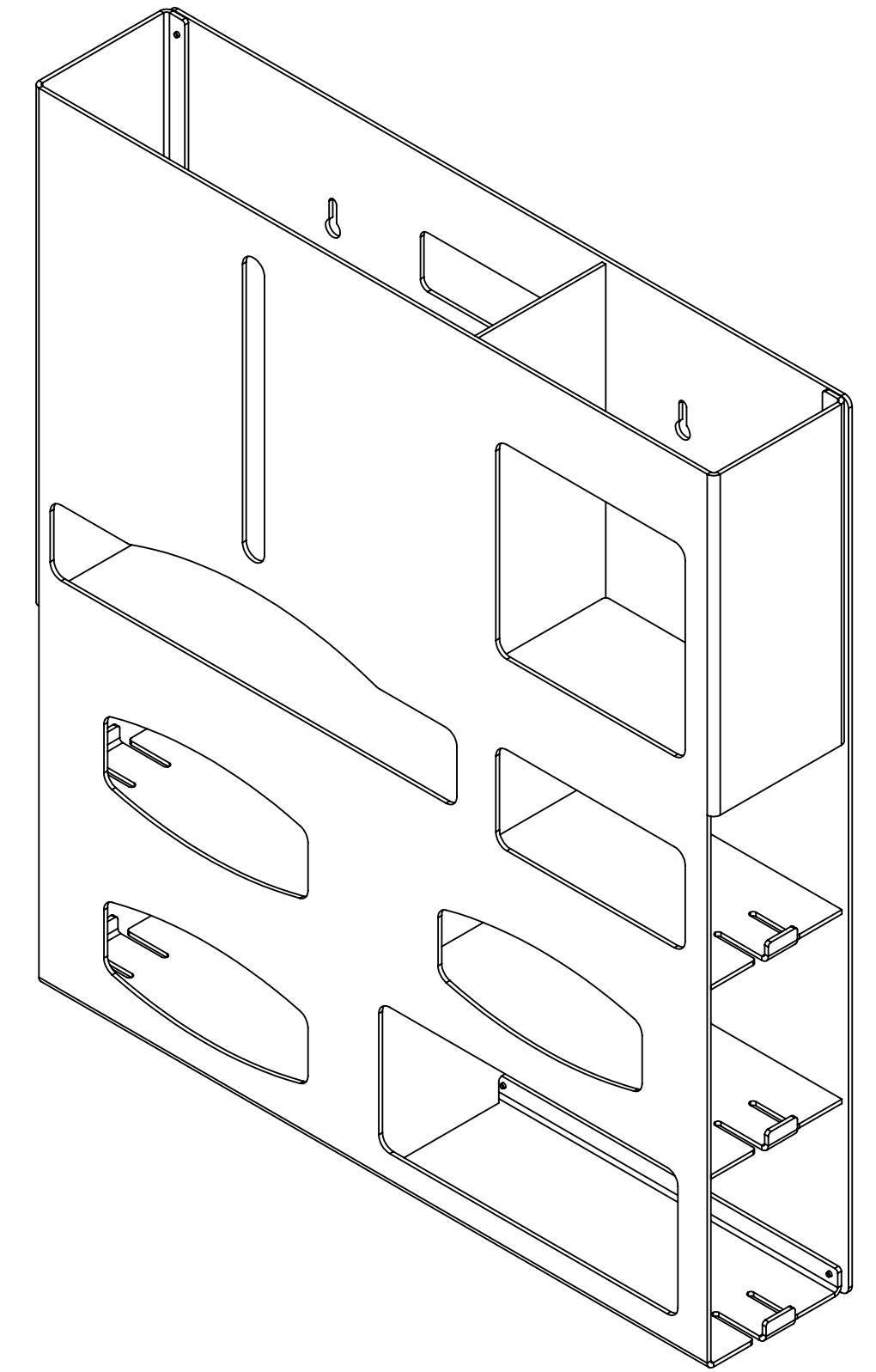
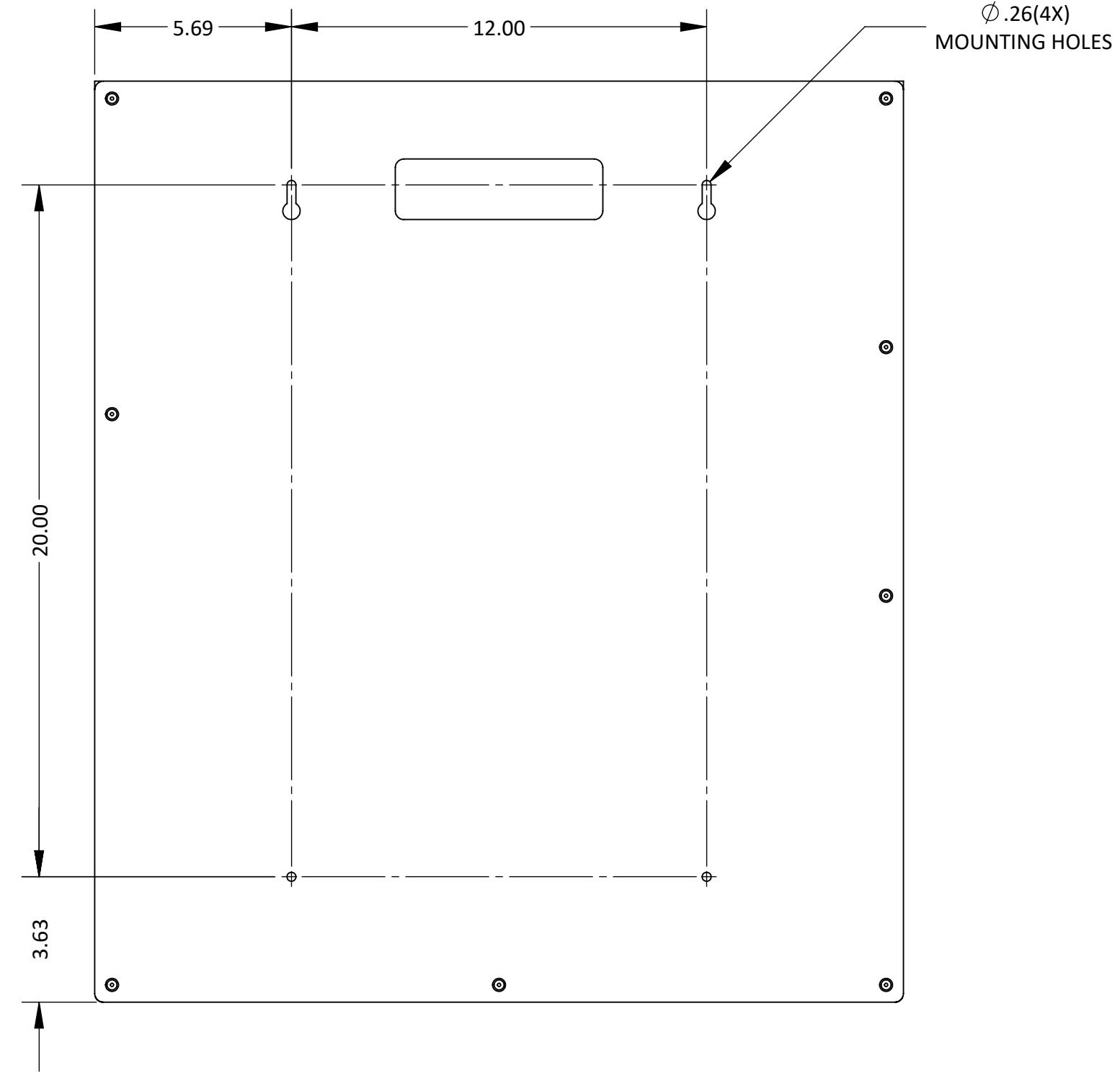
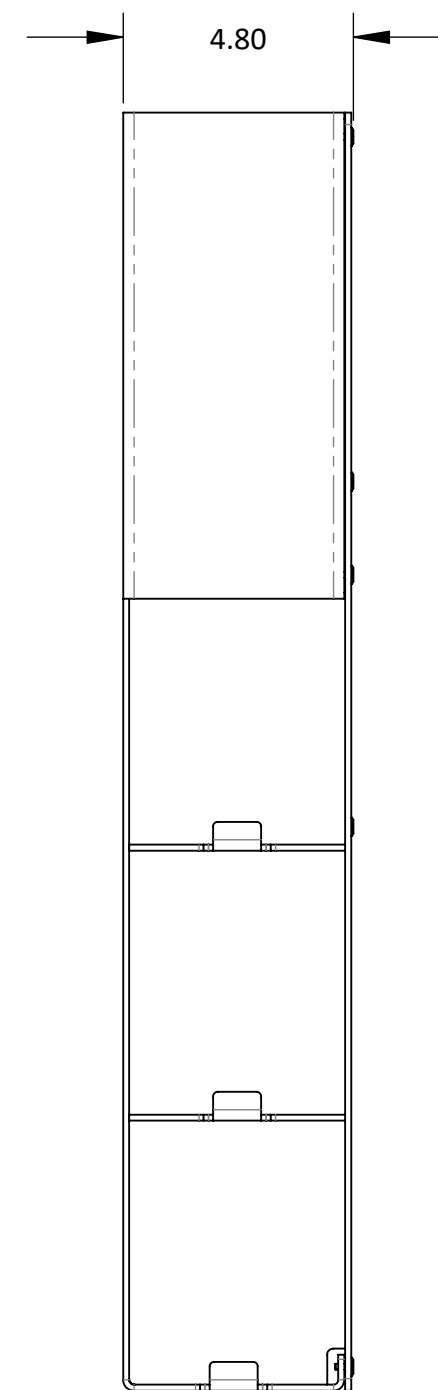
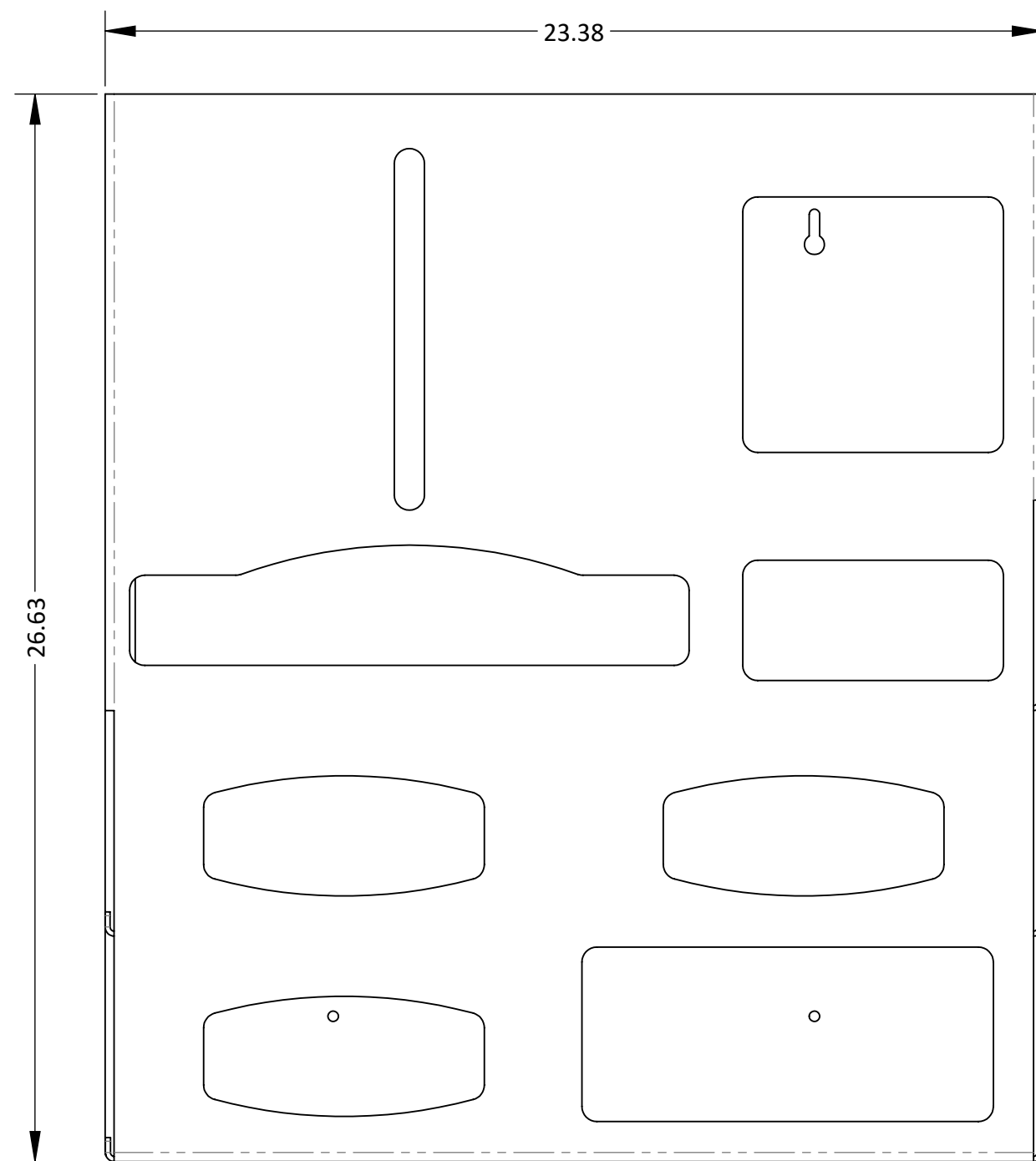
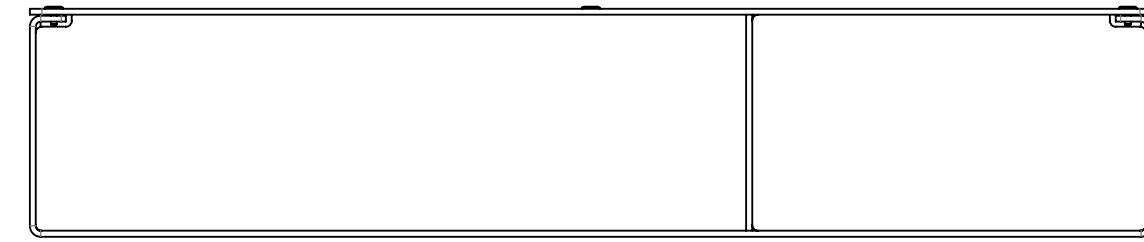
C

B

B

A

A



MATERIAL: ABS Plastic	PART NO.: PS016-0212	SIZE D	TOLERANCE .XX = ± .03 .XXX = ± .010 ANGULAR = ± 1°
FINISH: Quartz Beige	TITLE: PROTECTION SYSTEM	SCALE 1:4	REV A
BOWMAN  Dispensers		BOWMAN Dispensers 20325 71st Ave NE, Ste D Arlington, WA 98223	SHEET 1 OF 1

FILE NAME: PS016-0212_ARCAT_SLIDDRW