

8

7

6

5

4

3

DWG No. PS017-0212

SH 1 REV B

1

D

C

B

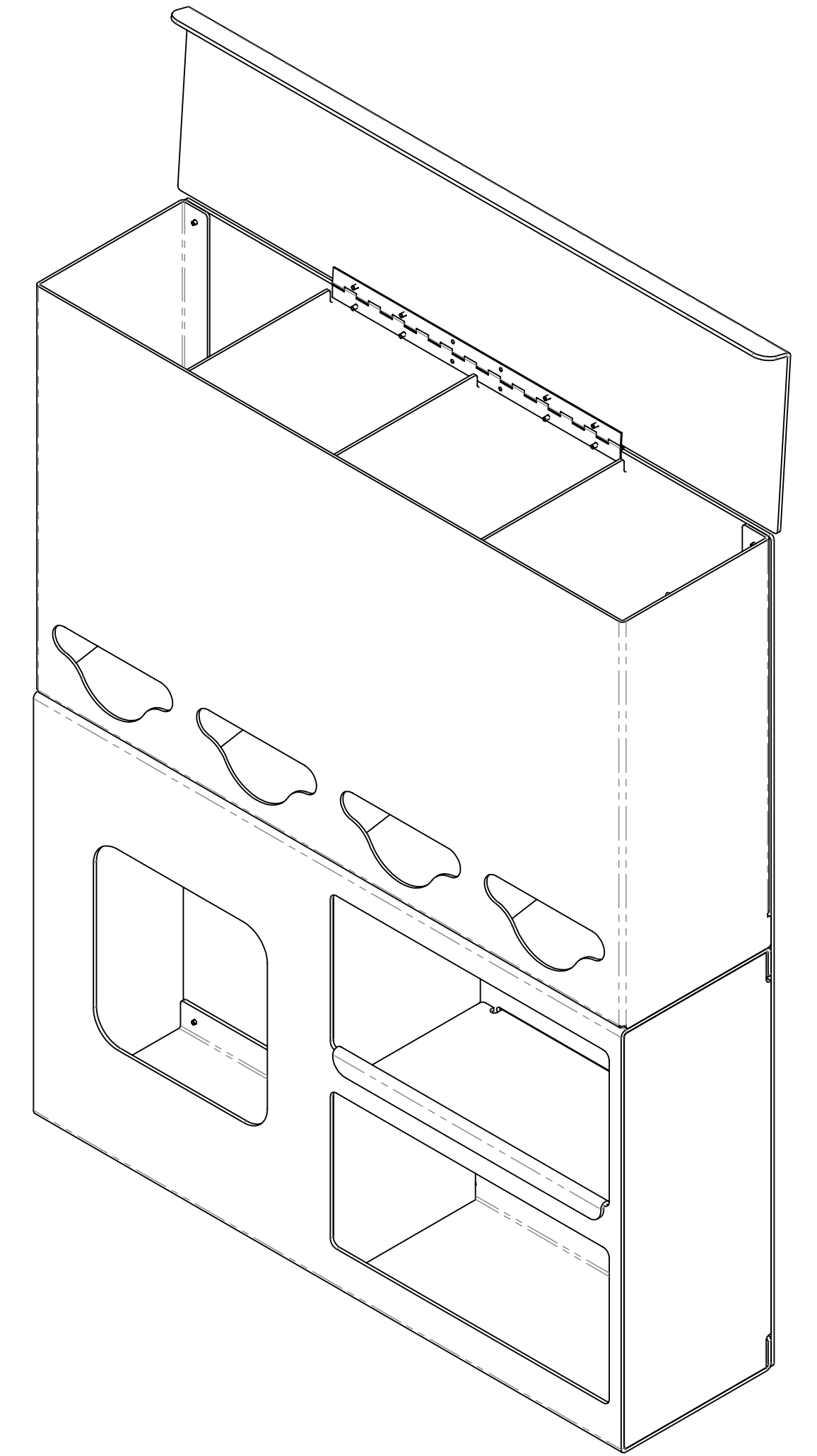
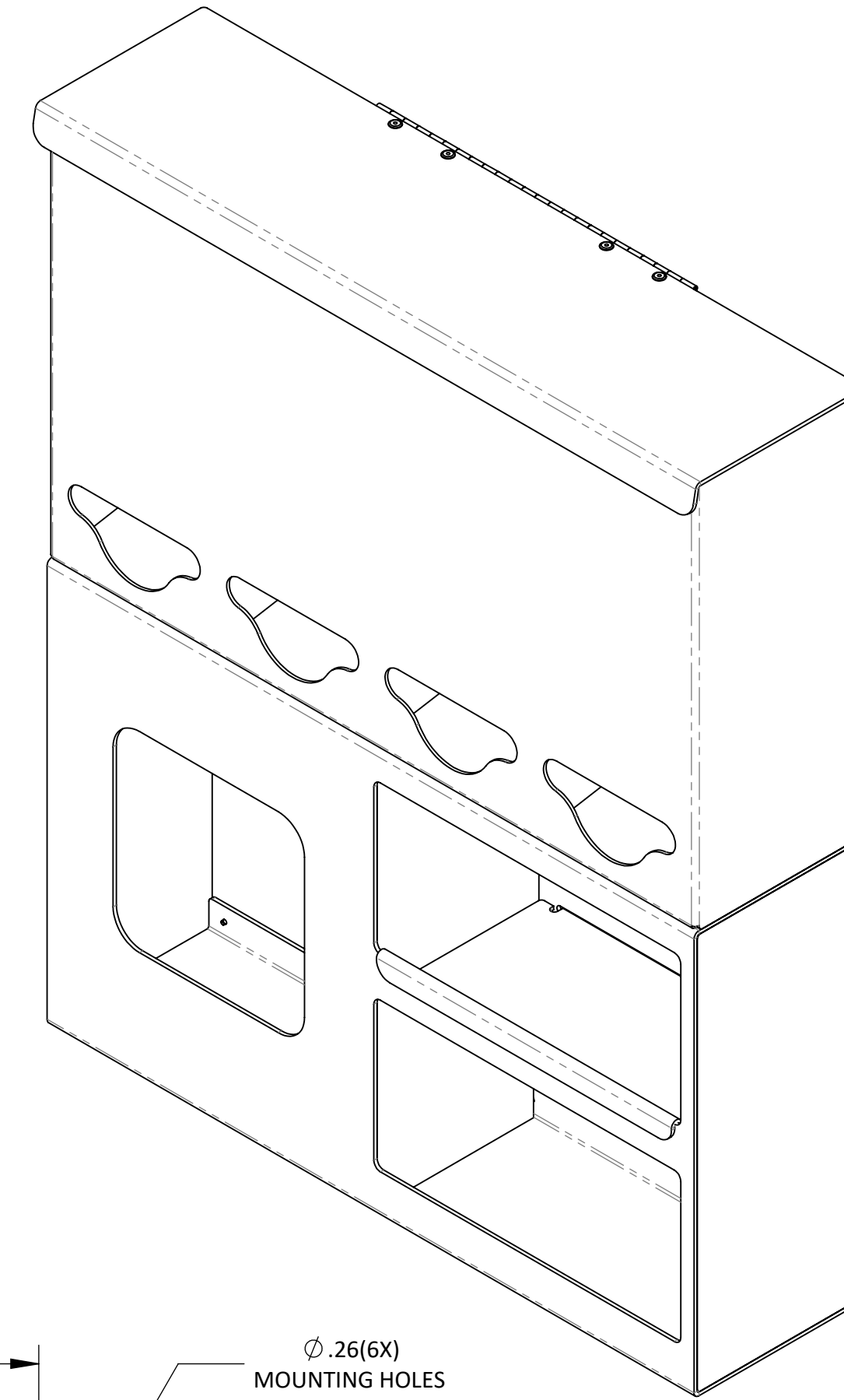
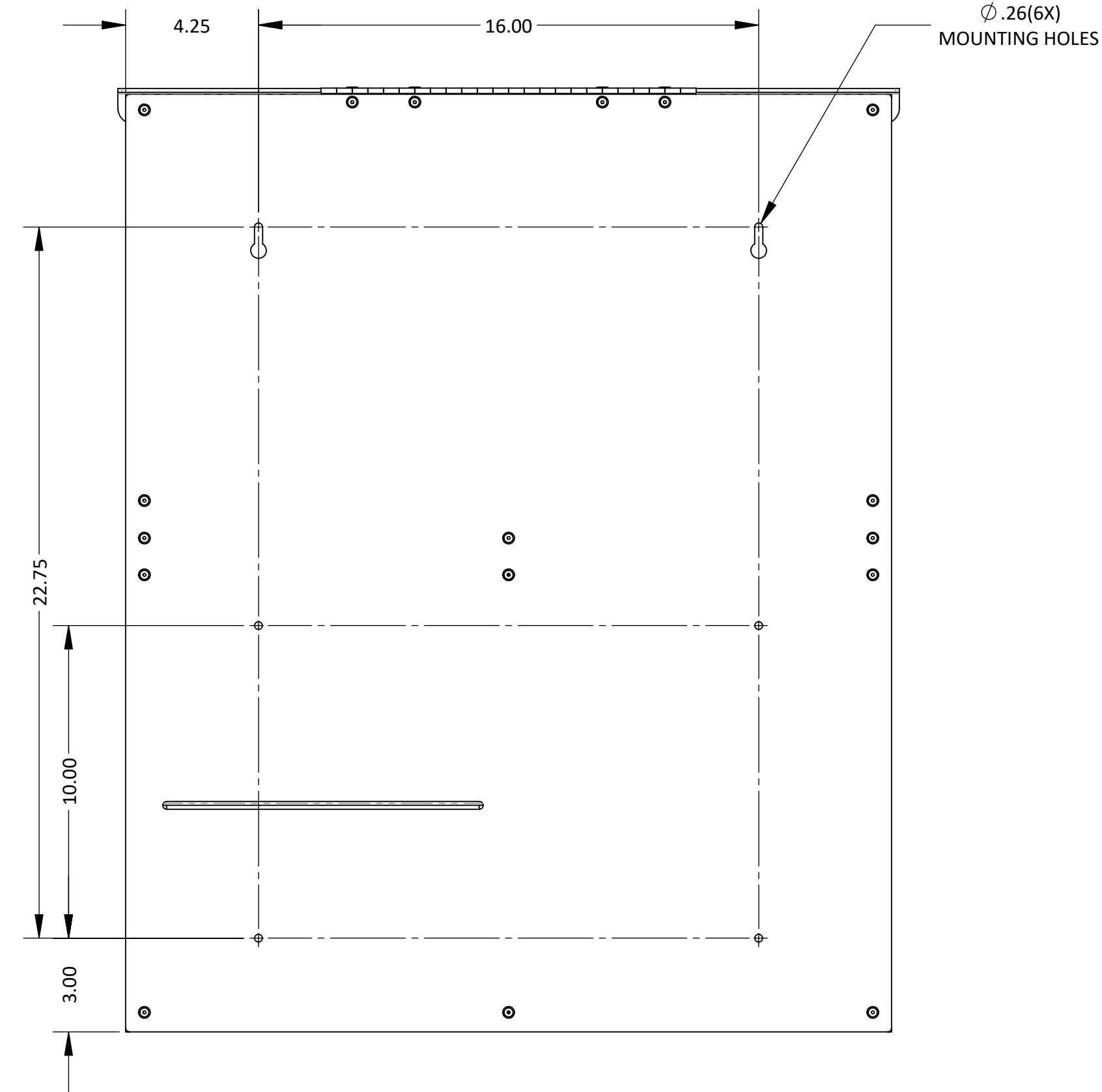
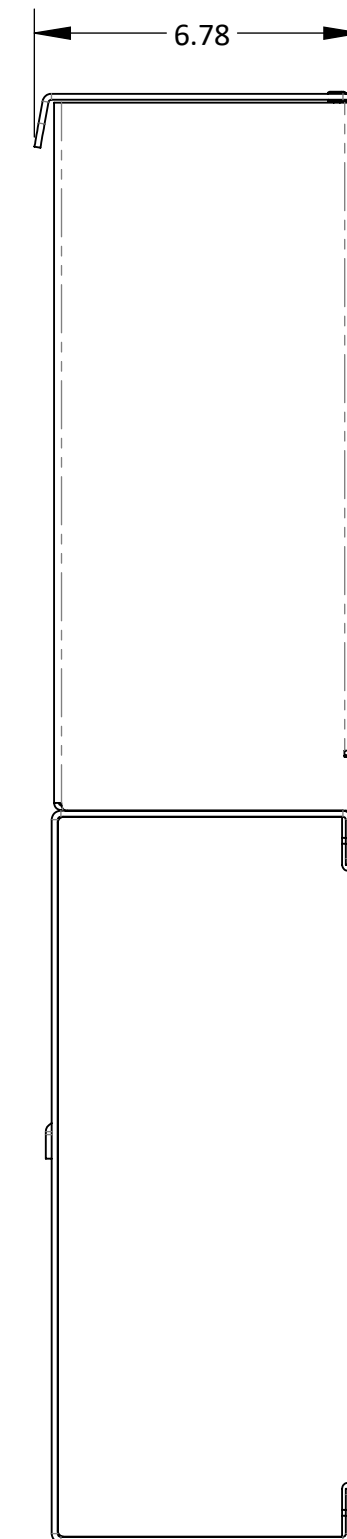
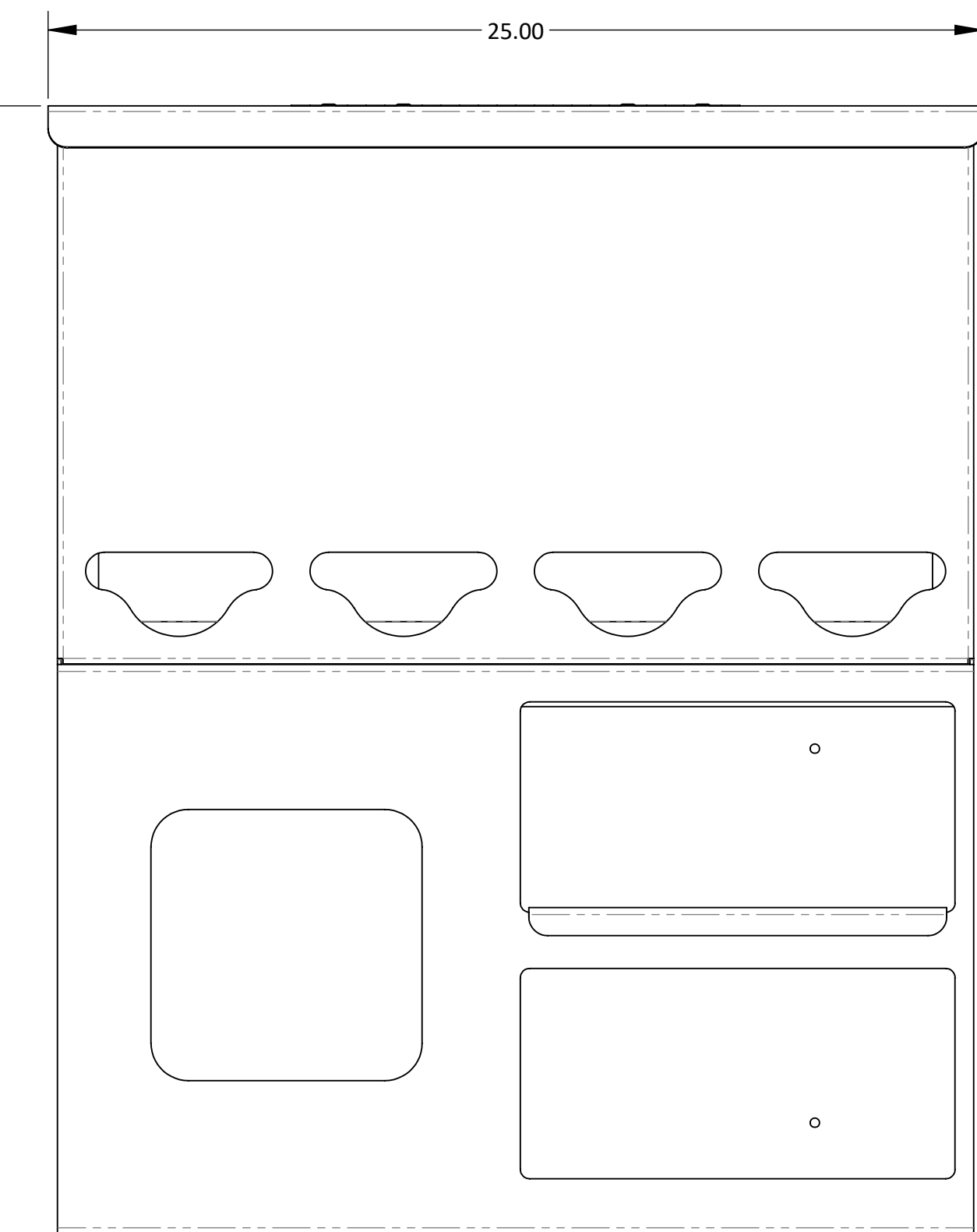
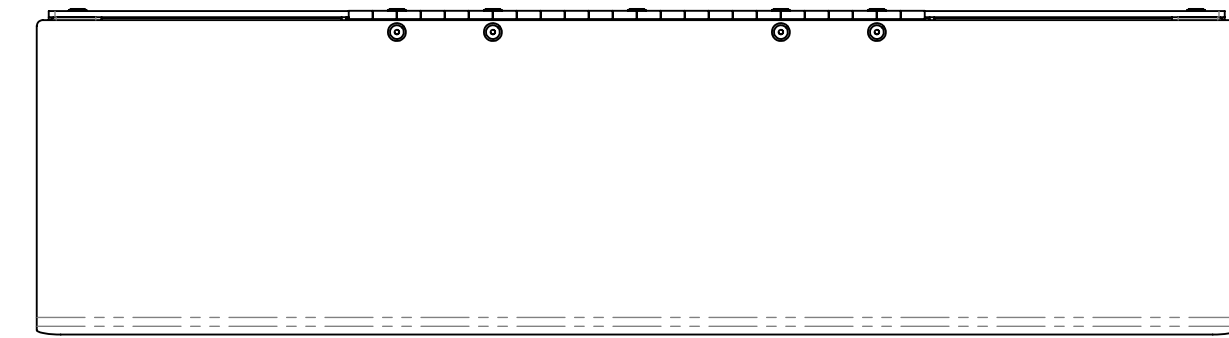
A

D

C

B

A



MATERIAL:
ABS Plastic / PETG
Plastic

FINISH:
Quartz Beige / Clear

PART NO.:
PS017-0212

TITLE:
PROTECTION SYSTEM - SURGICAL

BOWMAN
■ ■ ■ ■
Dispensers

BOWMAN Dispensers
20325 71st Ave NE, Ste D
Arlington, WA 98223

SIZE D	TOLERANCE .XX = ± .03 .XXX = ± .010 ANGULAR = ± 1°
SCALE 1:4	REV B
SHEET 1 of 1	

FILE NAME: PS017-0212_ARCAT_SLIDRW