

8

7

6

5

4

3

DWG No. PS023-0212

SH 1 REV C

1

D

C

B

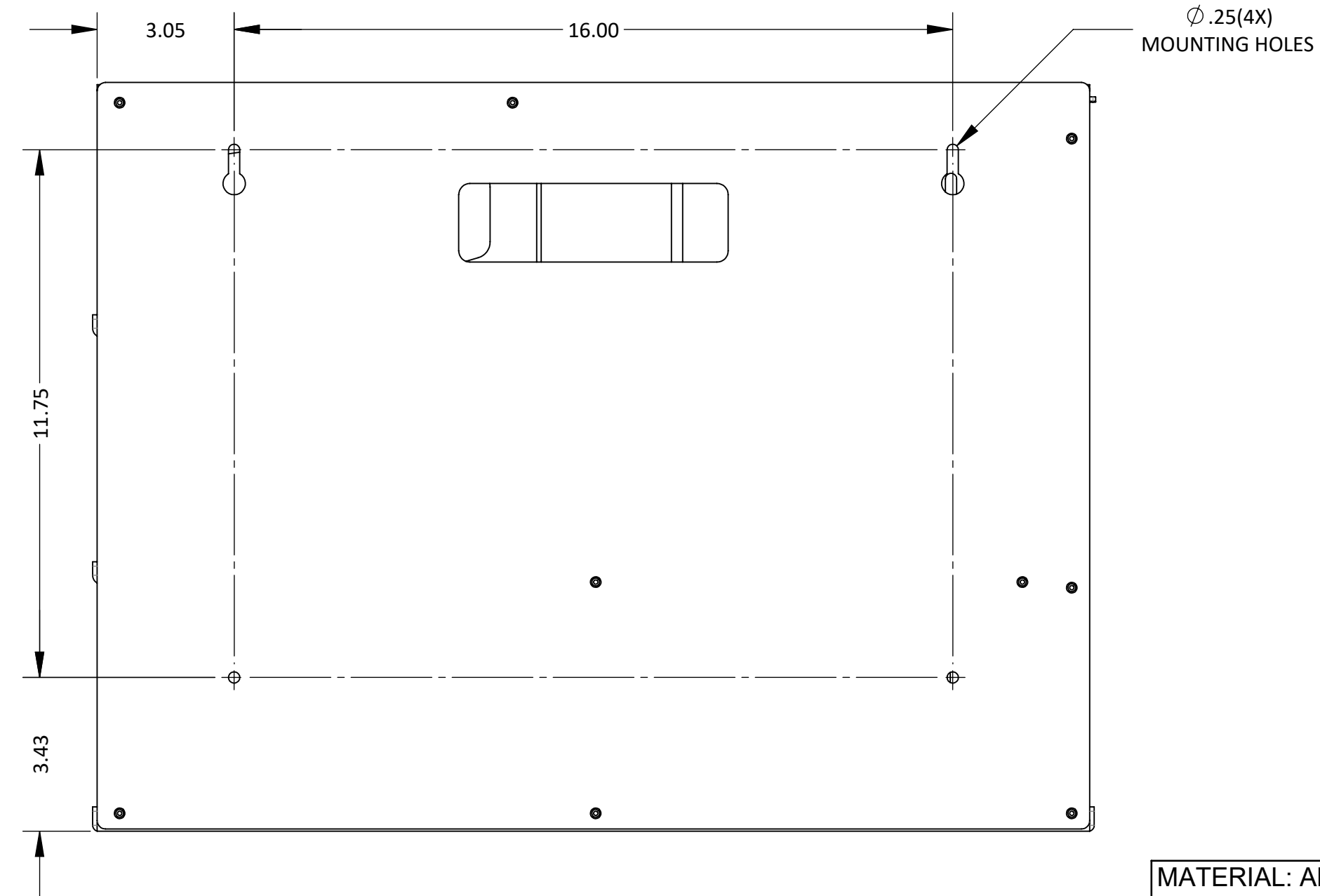
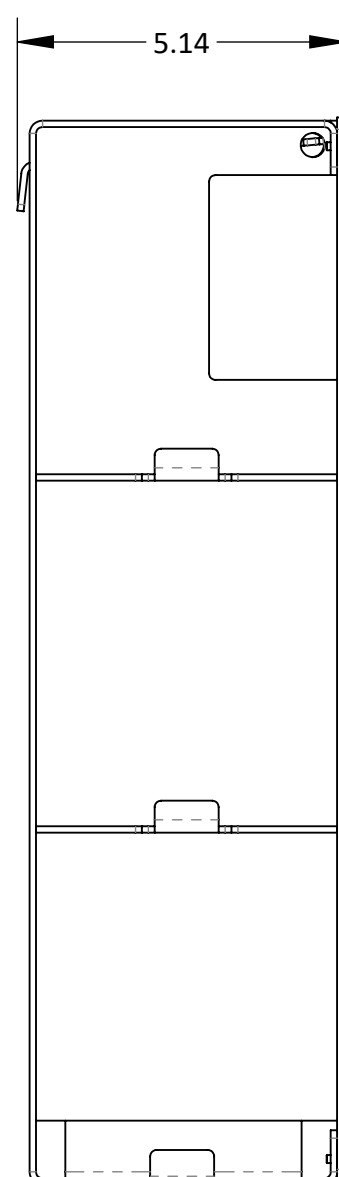
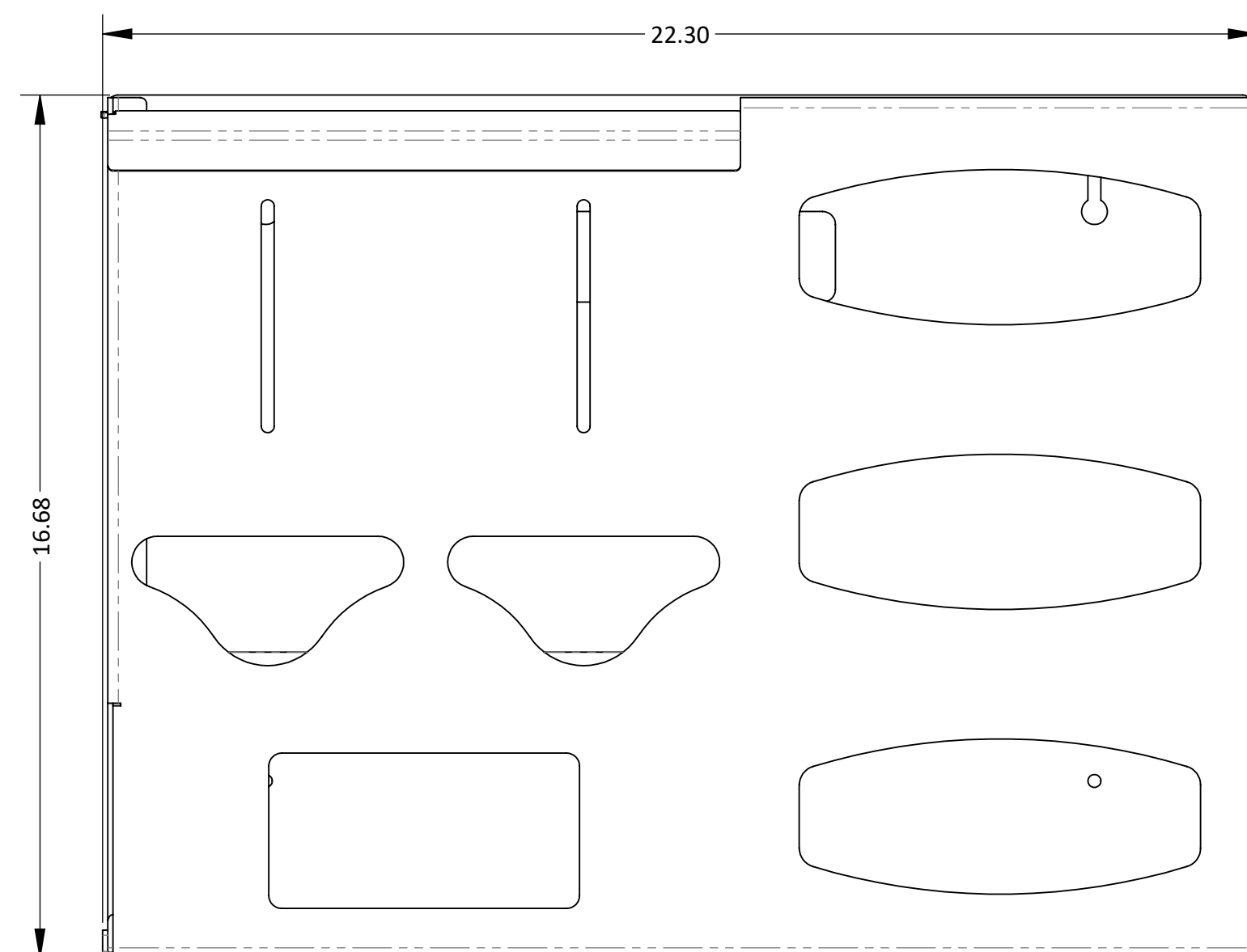
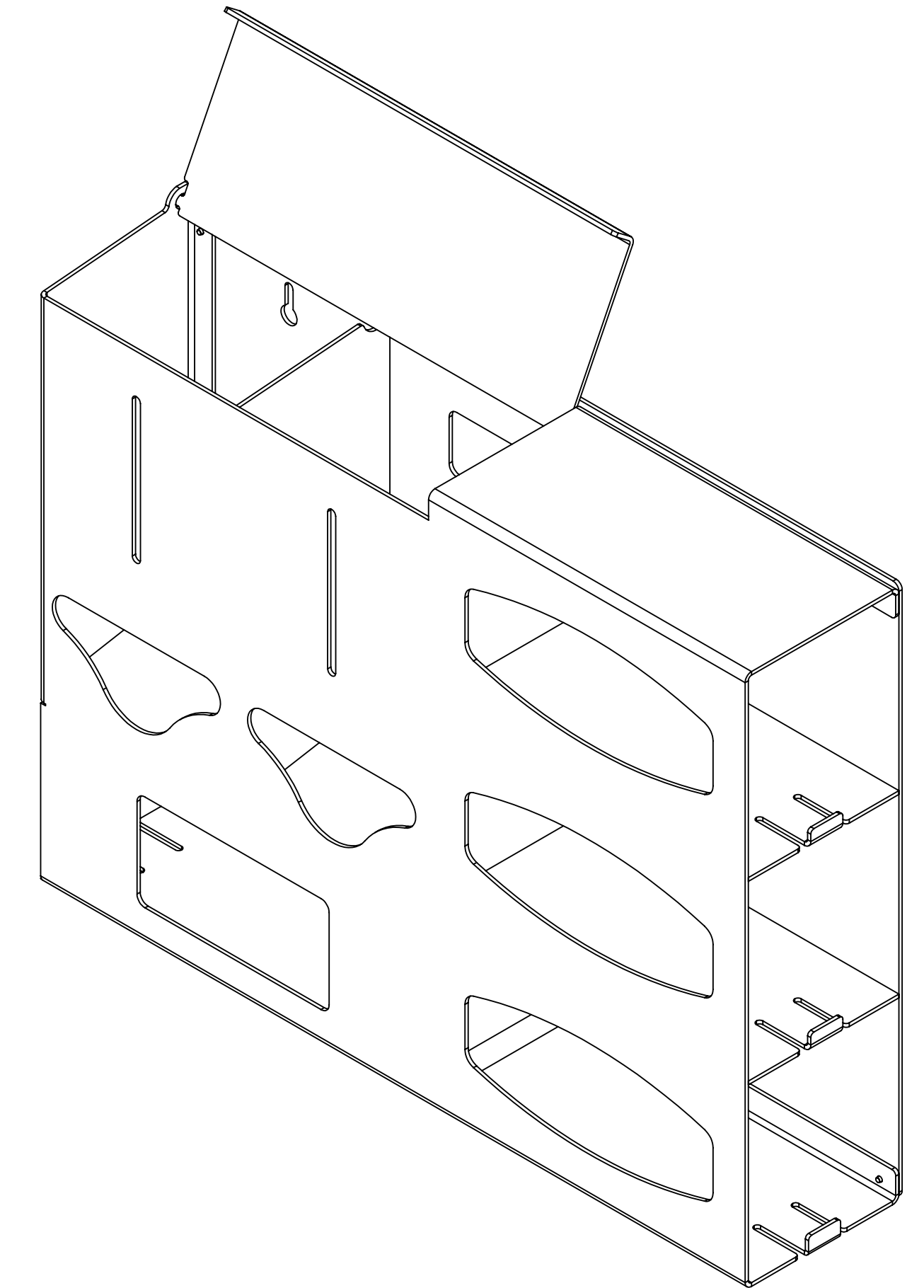
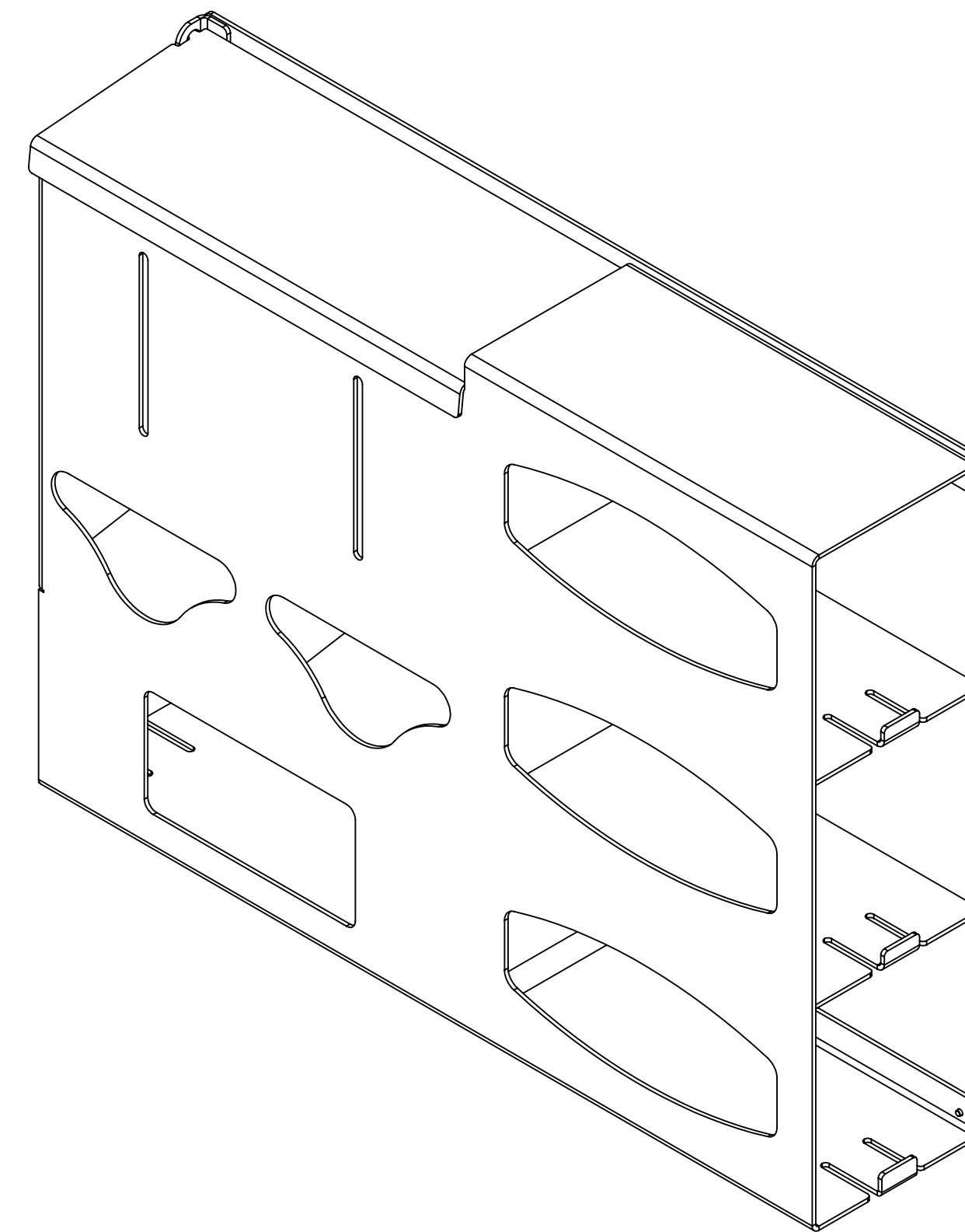
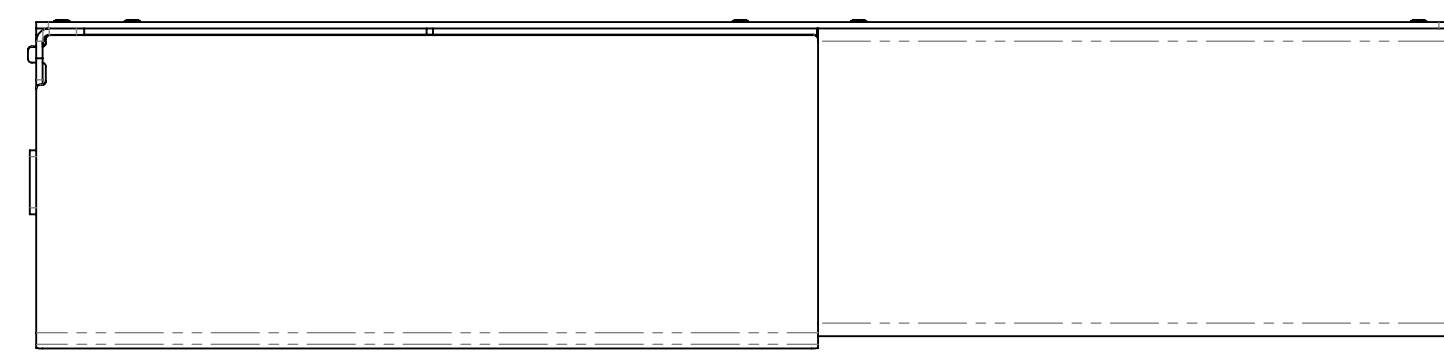
A

D

C

B

A



MATERIAL: ABS Plastic	PART NO.: PS023-0212	SIZE D	TOLERANCE .XX = ± .03 .XXX = ± .010 ANGULAR = ± 1°
FINISH: Quartz Beige	TITLE: PROTECTION SYSTEM - SURGICAL	SCALE 1:3	REV C
BOWMAN Dispensers	BOWMAN Dispensers 20325 71st Ave NE, Ste D Arlington, WA 98223	SHEET 1 of 1	

FILE NAME: PS023-0212_ARCAT_SLIDDRW