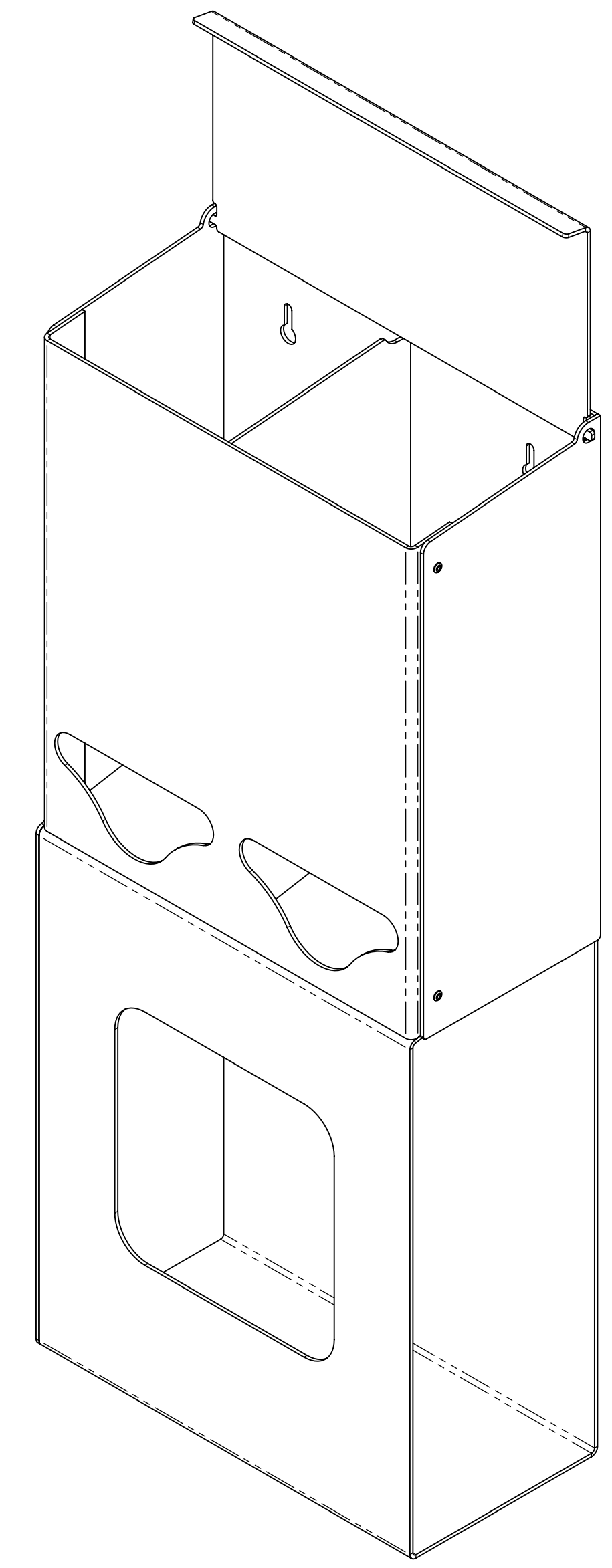
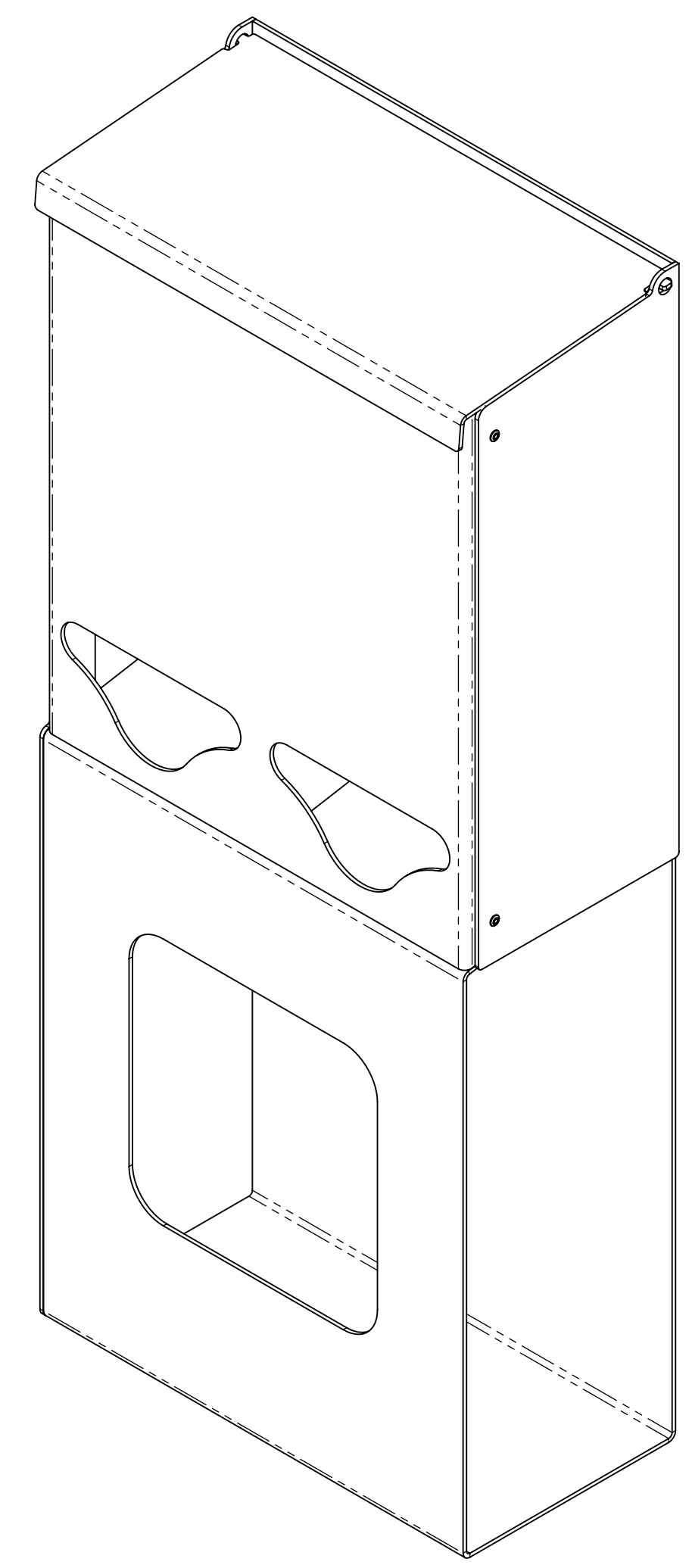
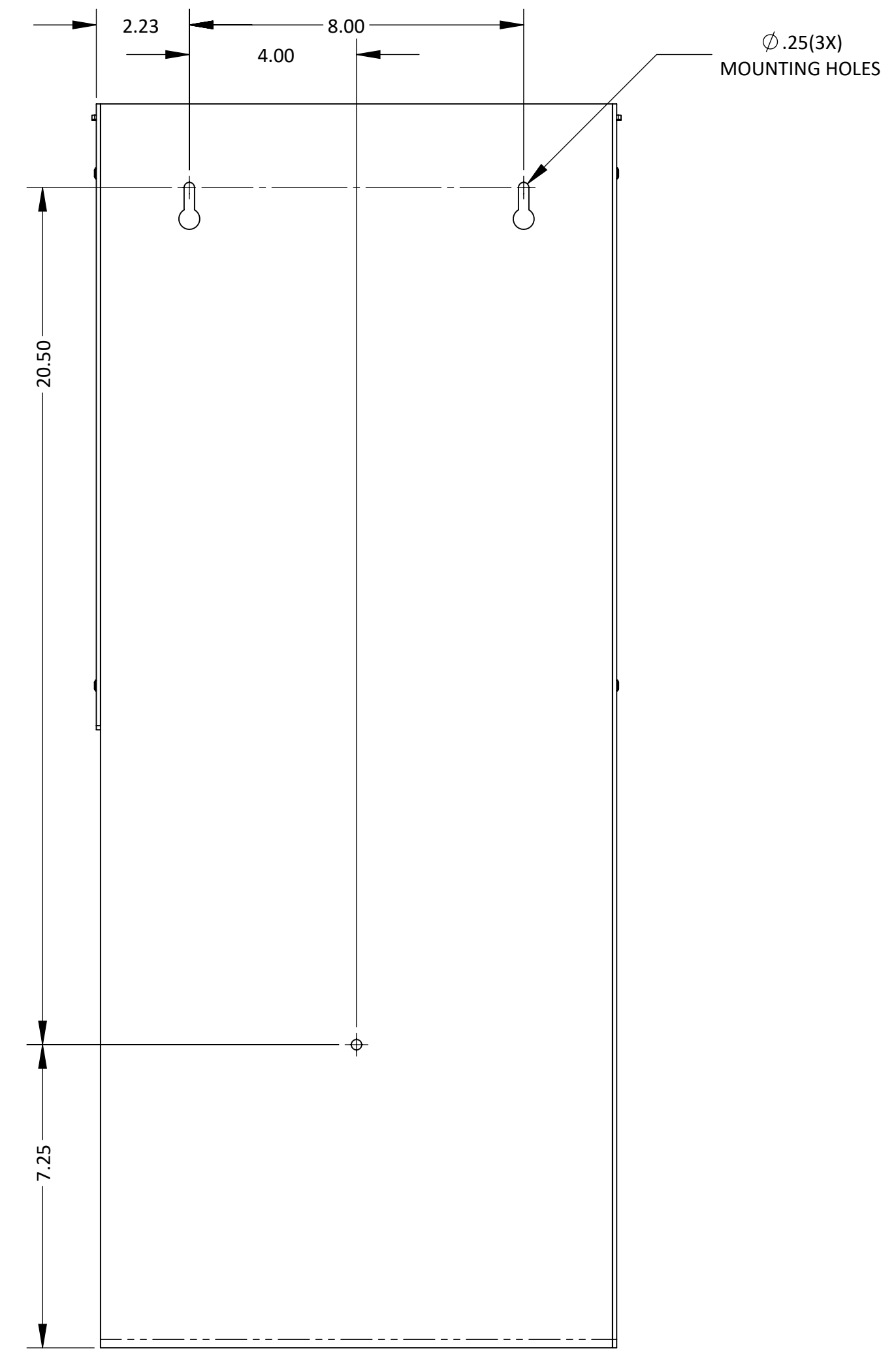
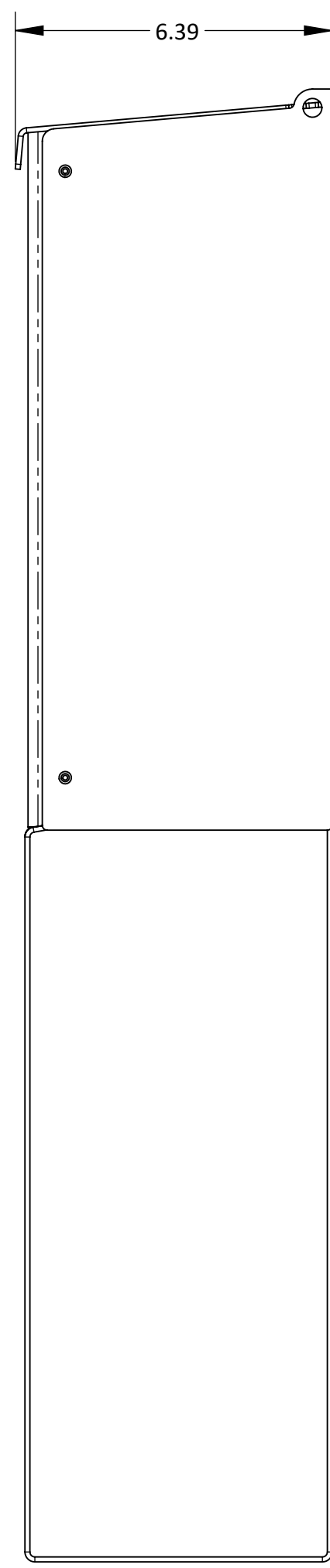
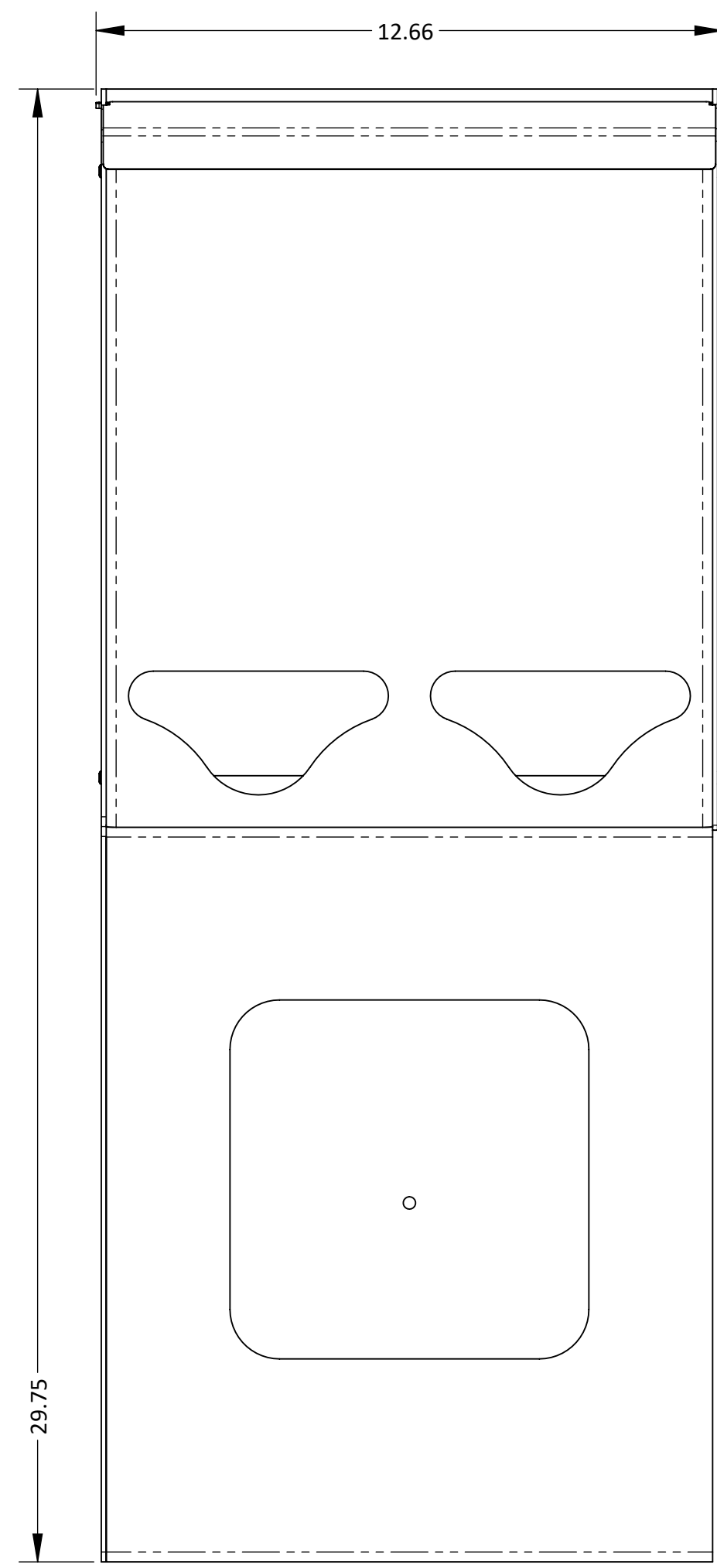
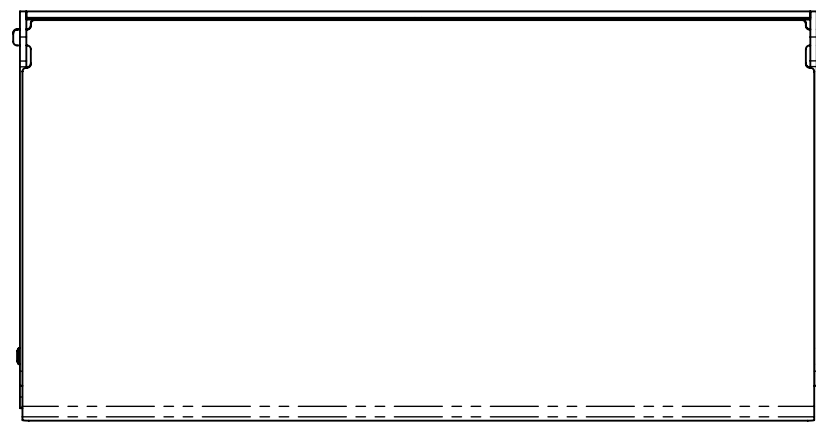



D
C
B
A

D
C
B
A



MATERIAL: PETG Plastic/ABS Plastic	PART NO.: PS026-0212	SIZE D	TOLERANCE .XX = ± .03 .XXX = ± .010 ANGULAR = ± 1°
FINISH: Clear/Quartz Beige	TITLE: SURGICAL APPAREL ORGANIZER	SCALE 1:3	REV D
BOWMAN®  Dispensers		BOWMAN Dispensers 20325 71st Ave NE, Ste D Arlington, WA 98223	
		SHEET 1 of 1	

FILE NAME: PS026-0212_ARCAT_SLIDDRW