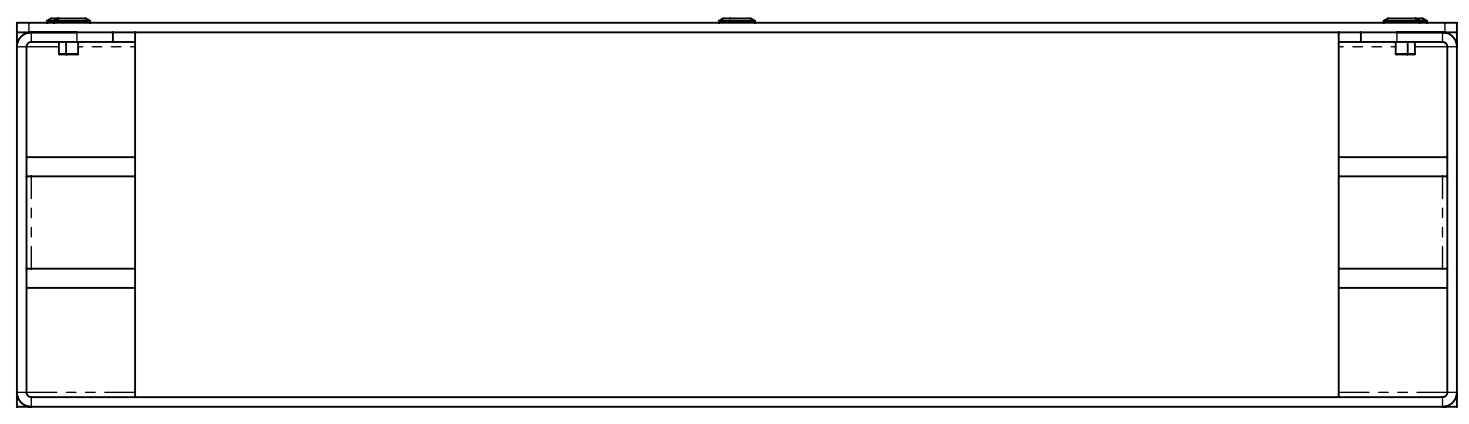


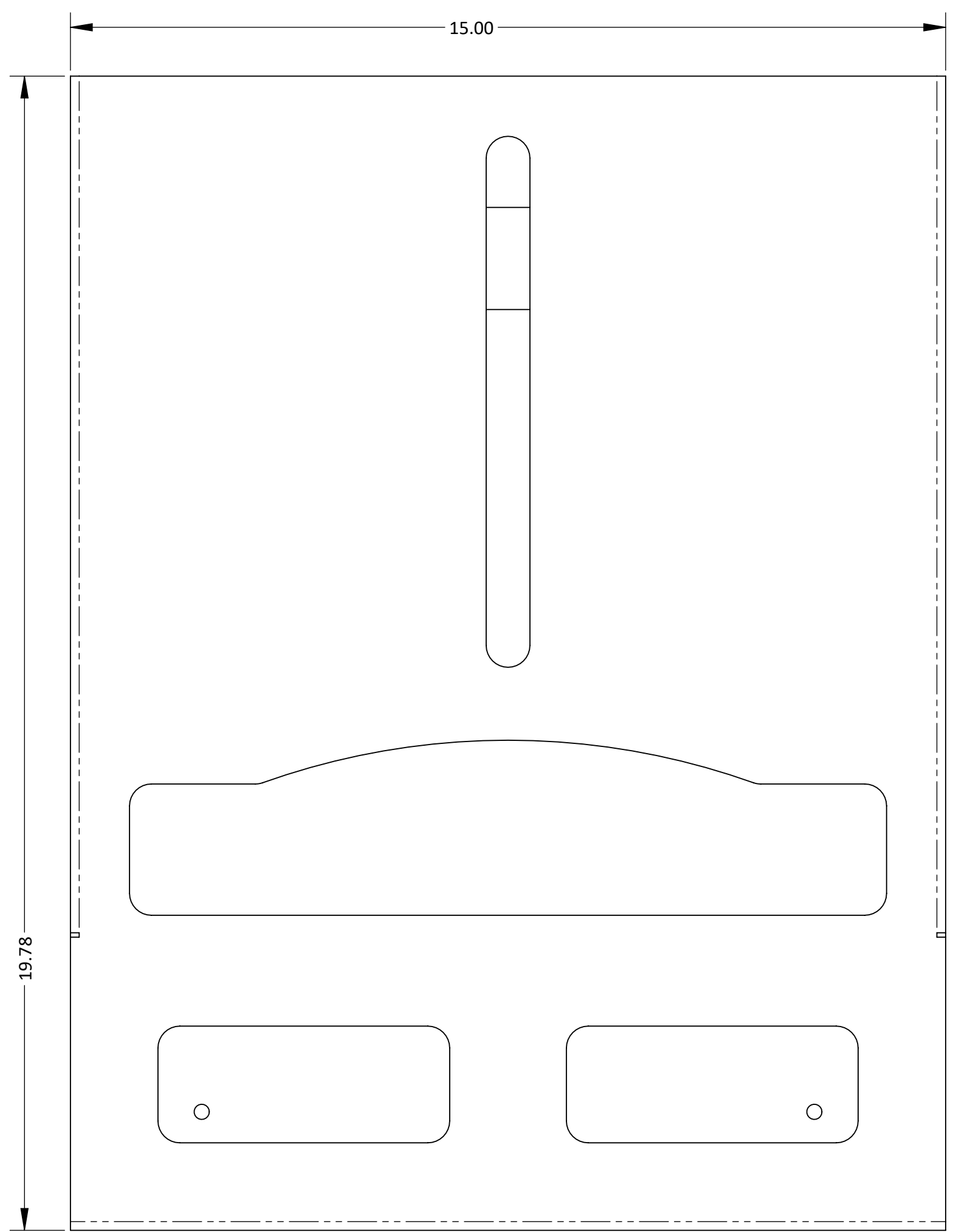
D

D



C

C

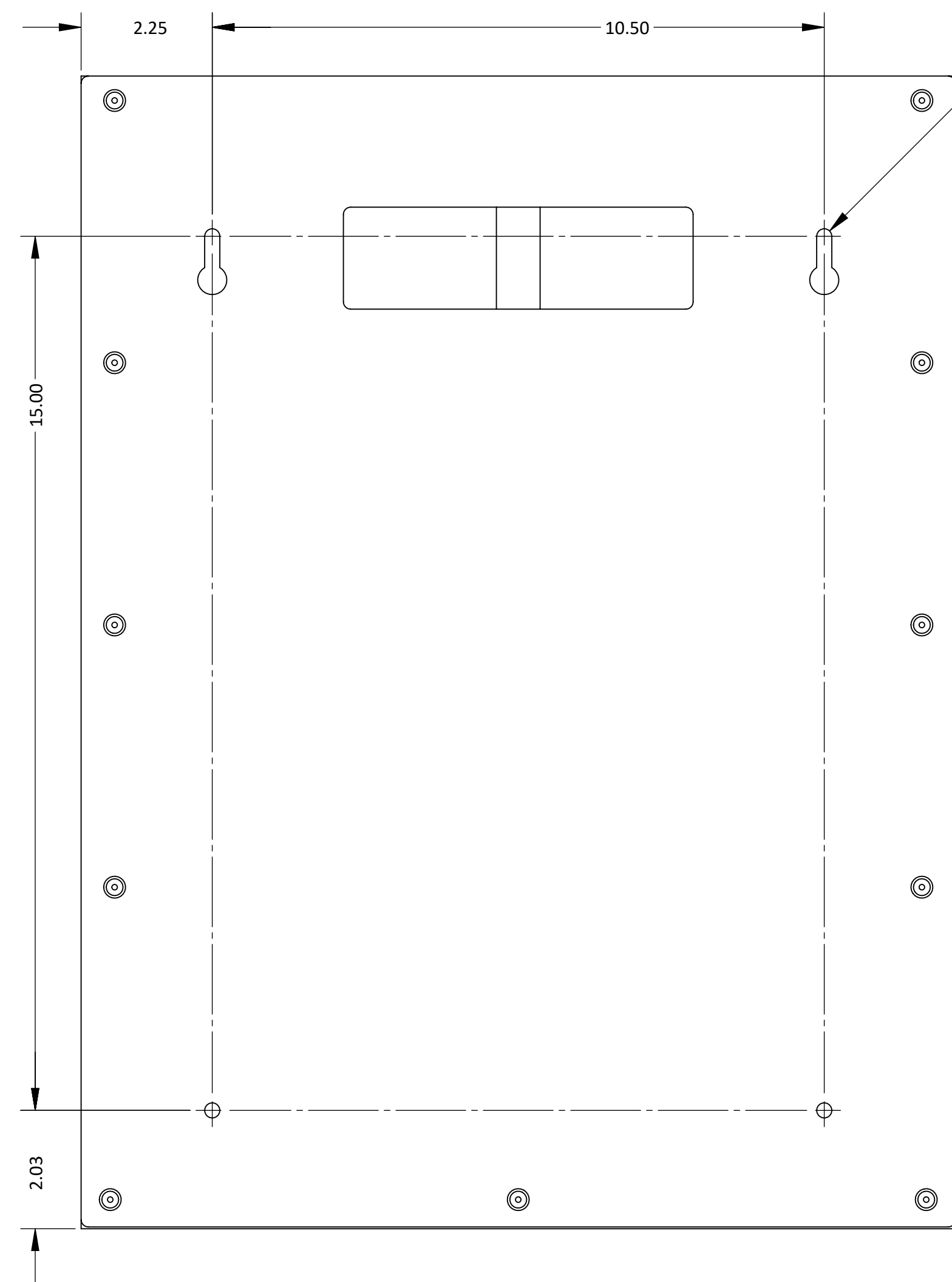
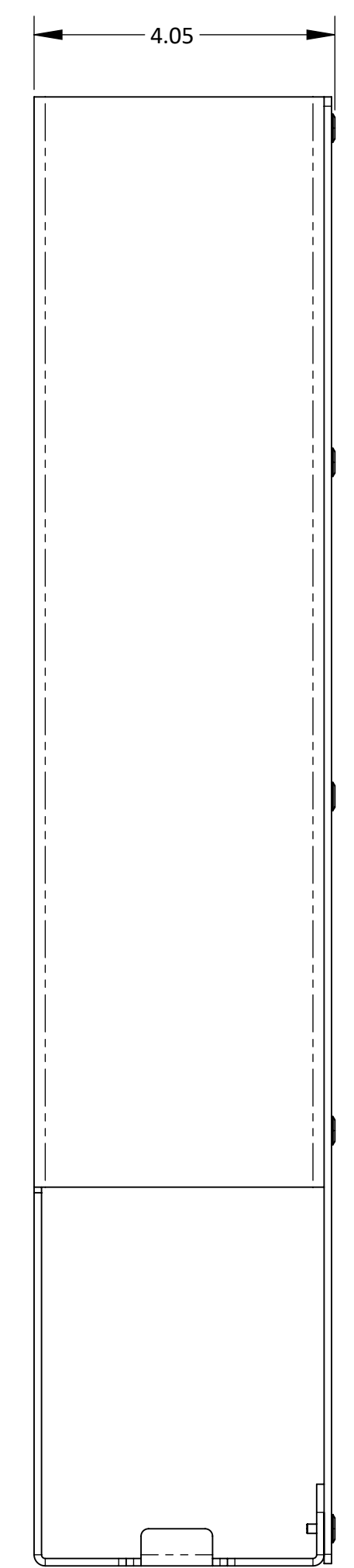


B

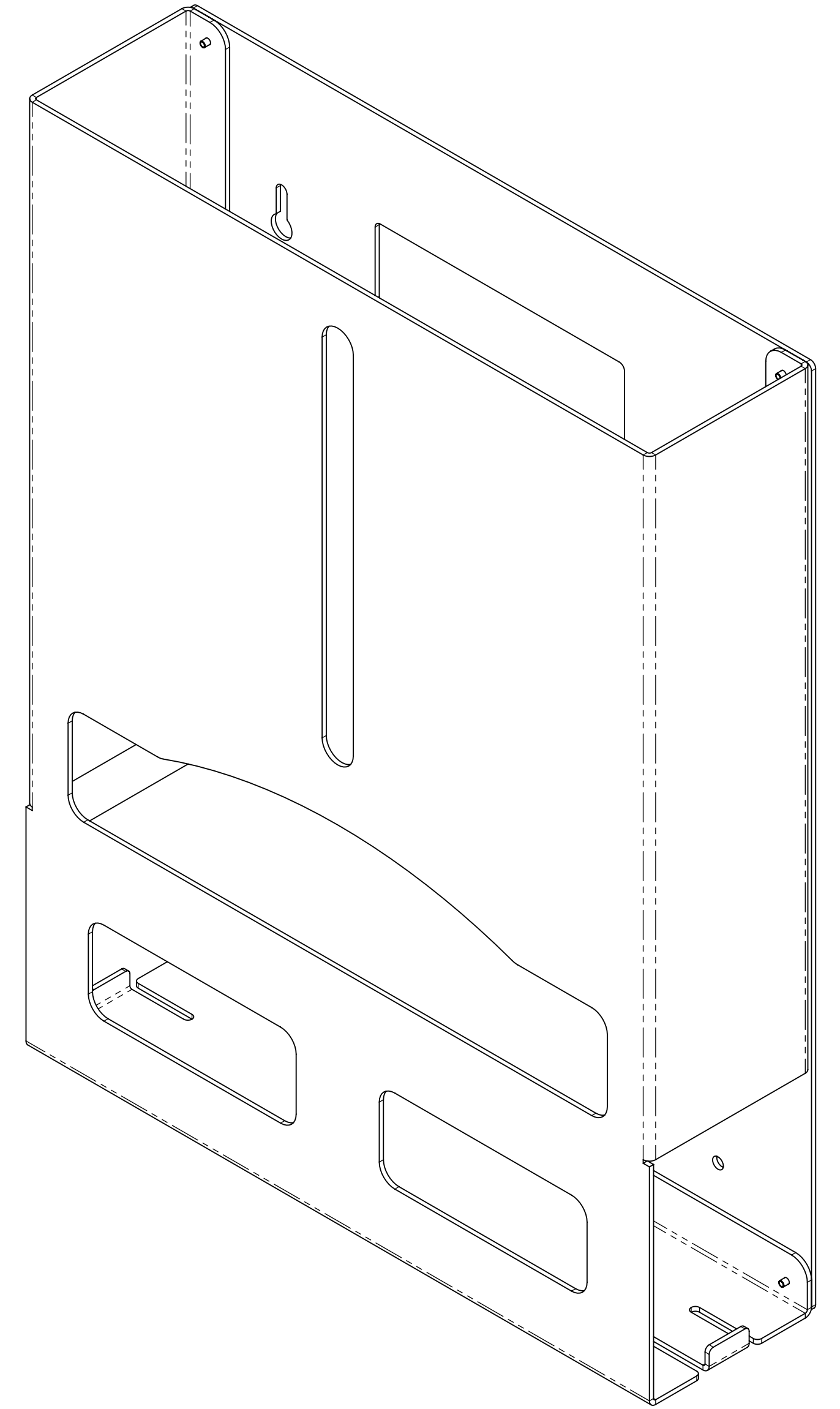
B

A

A



Ø .26(4X)
MOUNTING HOLES



MATERIAL: ABS Plastic	PART NO.: PS426-0212	SIZE D	TOLERANCE .XX = ± .03 .XXX = ± .010 ANGULAR = ± 1°
FINISH: Quartz Beige	TITLE: PROTECTION SYSTEM - GLOVELESS - 4" DEEP	SCALE 1:2	REV A
BOWMAN Dispensers		BOWMAN Dispensers 20325 71st Ave NE, Ste D Arlington, WA 98223	
		SHEET 1 of 1	

FILE NAME: PS426-0212_ARCAT_SLIDRW