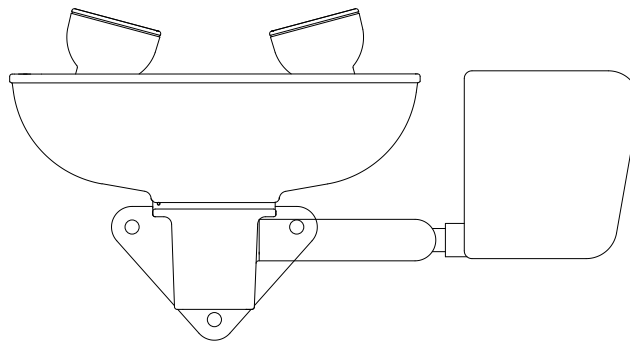


TOP



FRONT

Mod #M S19-220T
Eye/Face Wash - Wall Mounted

TARGET SCALE: 3"= 1'-0"

Arcat file no.: 15410014

(Mfr file no.: 220TF)

(Mfr file no.: 220TT)