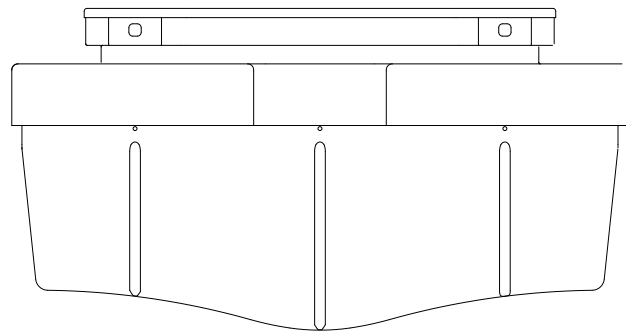
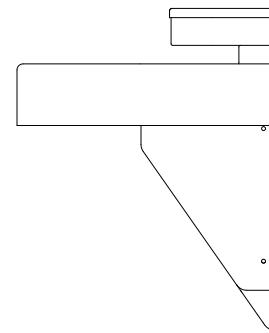


TOP



⊕ FRONT



RIGHT ⊕

Mod #M SS2WH97
2 Station Express Lavatory System – Wall Hung

TARGET SCALE: $3/4" = 1'-0"$

Arcat file no.: 15410018

(Mfr file no.: SS2WH97-F)
(Mfr file no.: SS2WH97-R)
(Mfr file no.: SS2WH97-T)