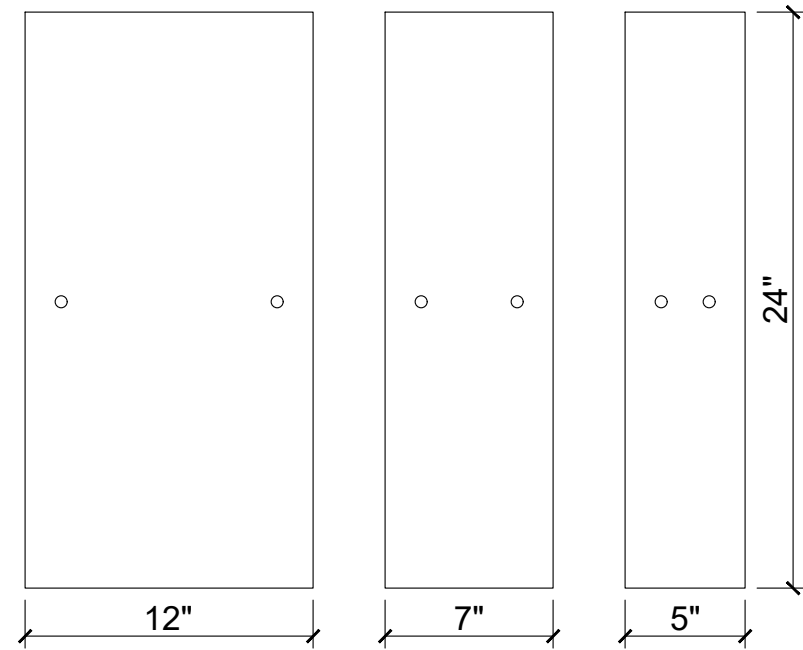
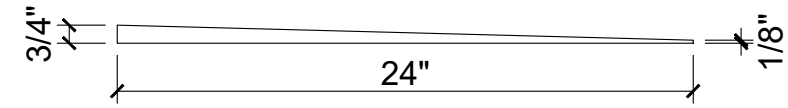


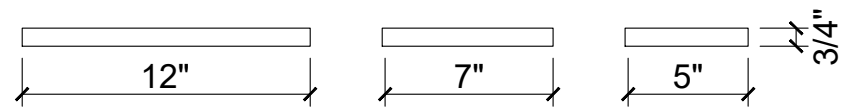
TOP VIEW



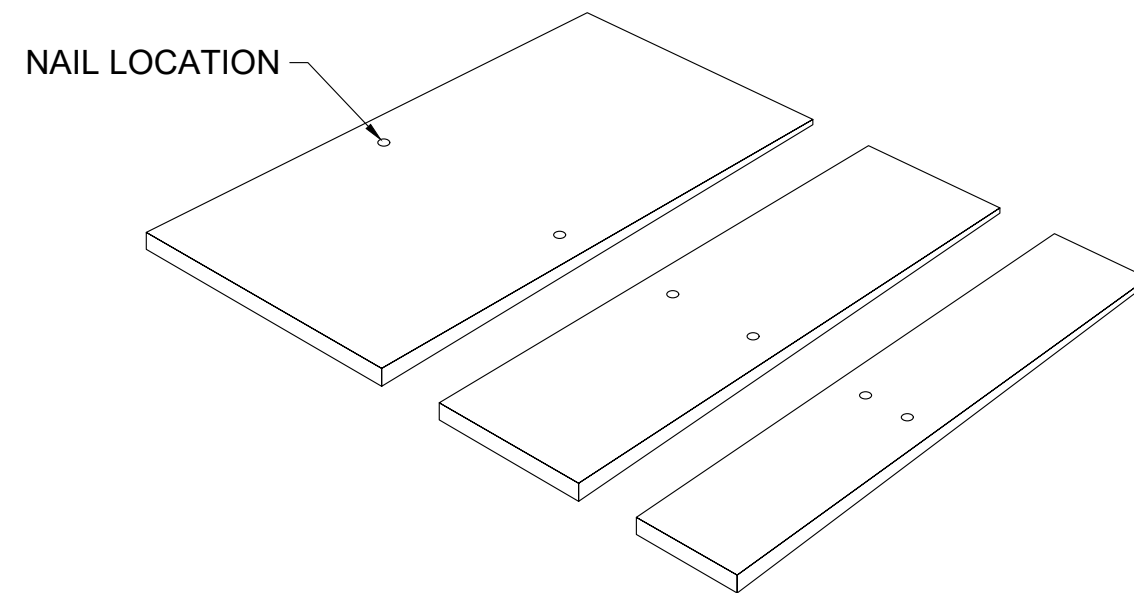
SIDE VIEW



FRONT VIEW



ISOMETRIC VIEW



DATE	08/21/2019
REV	0
DRAWN	TJA
SCALE	1 1/2" = 1'-0"

**CEDAR SHAKE**  
**BRAVA ROOF TILE**  
 WASHINGTON, IOWA

SHEET NO.  
 CS-01