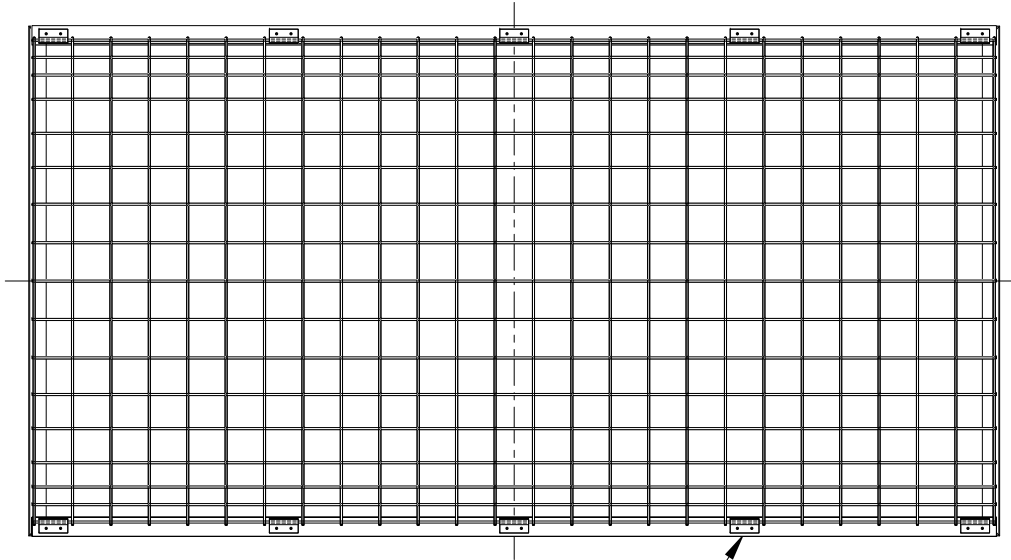
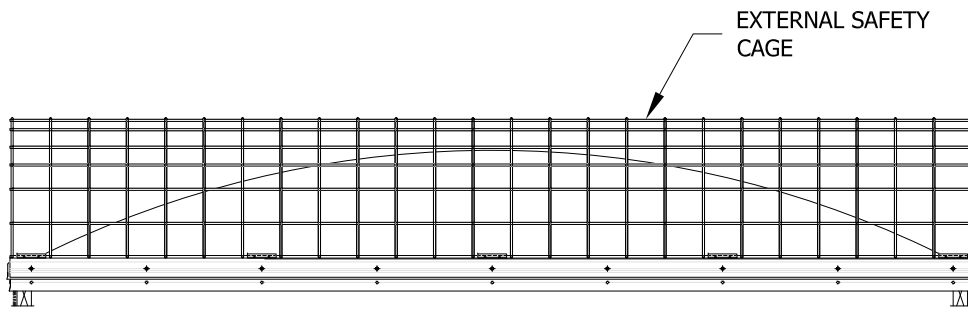


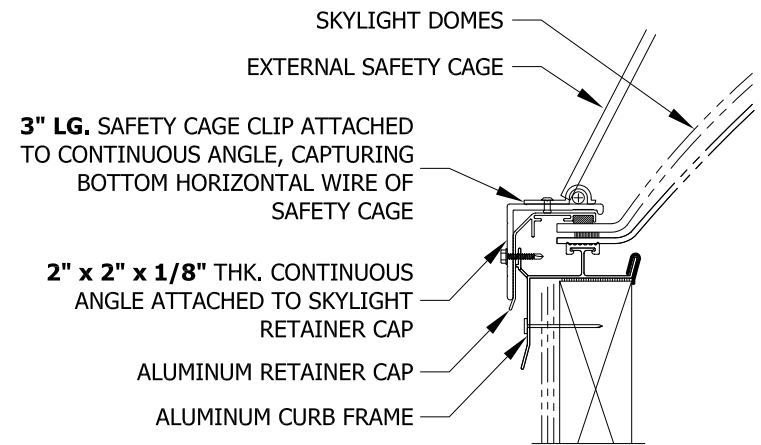
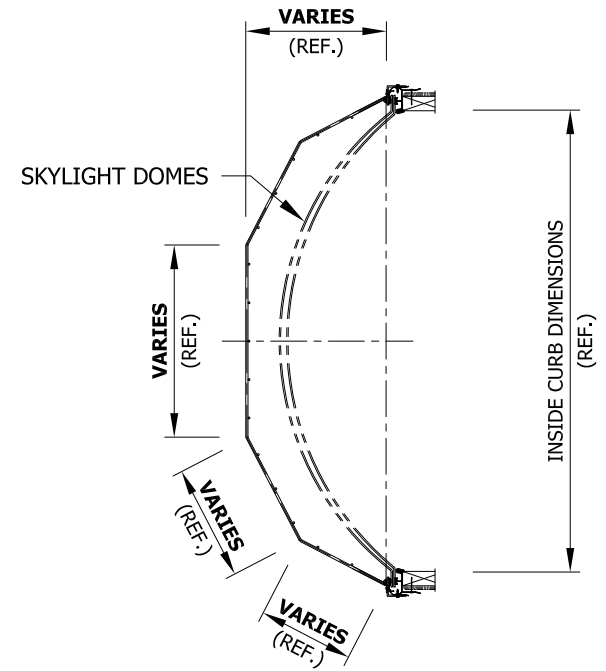
GLADIATOR EXTERNAL SAFETY CAGE



3" LG. SAFETY CAGE CLIP ATTACHED TO CONTINUOUS ANGLE, CAPTURING BOTTOM HORIZONTAL WIRE OF SAFETY CAGE (SPACING MAY VARY)



EXTERNAL SAFETY CAGE



3" LG. SAFETY CAGE CLIP ATTACHED TO CONTINUOUS ANGLE, CAPTURING BOTTOM HORIZONTAL WIRE OF SAFETY CAGE

2" x 2" x 1/8" THK. CONTINUOUS ANGLE ATTACHED TO SKYLIGHT RETAINER CAP

ALUMINUM RETAINER CAP
ALUMINUM CURB FRAME

TYPICAL MOUNTING DETAIL

MODEL: XXXX-SCAGE
(NOT TO SCALE)

NOTES:
WELDED WIRE CONSTRUCTION, USING #4 GAUGE GALVANIZED STEEL WIRE, SPACED 4" x 4" o.c.

CUSTOMER:

PREPARED BY:

QUOTE No.:

PROJECT:

SUBMITTAL DATE:

SHEET NO.:



The new name for
Bristolite Daylighting Systems
401 E Goetz Ave, Santa Ana, CA, 92707
TEL: 714.540.8950 / FAX: 714.540.5415
www.bristolite.com