

Creating Unique Products
for Your Market Needs

PanelCraft™ Roof System Architectural Details

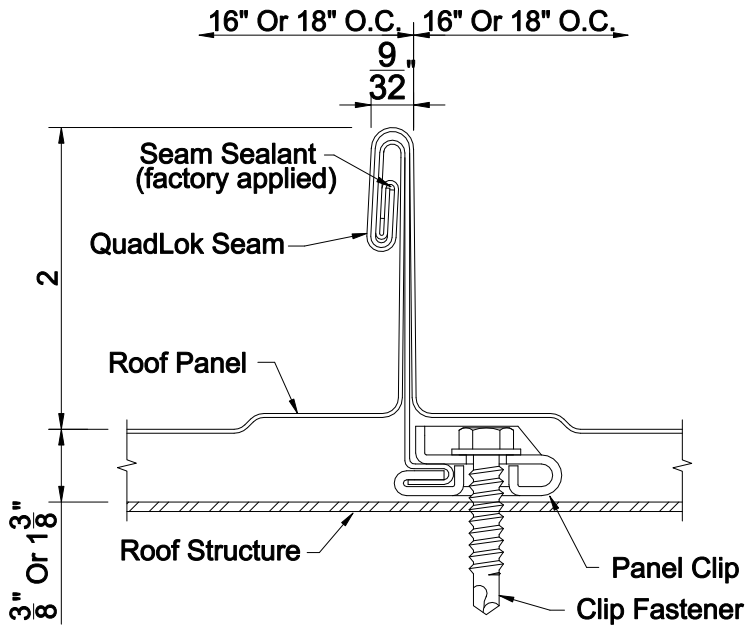
Dwg. No.

E_PC0_005R01BRS

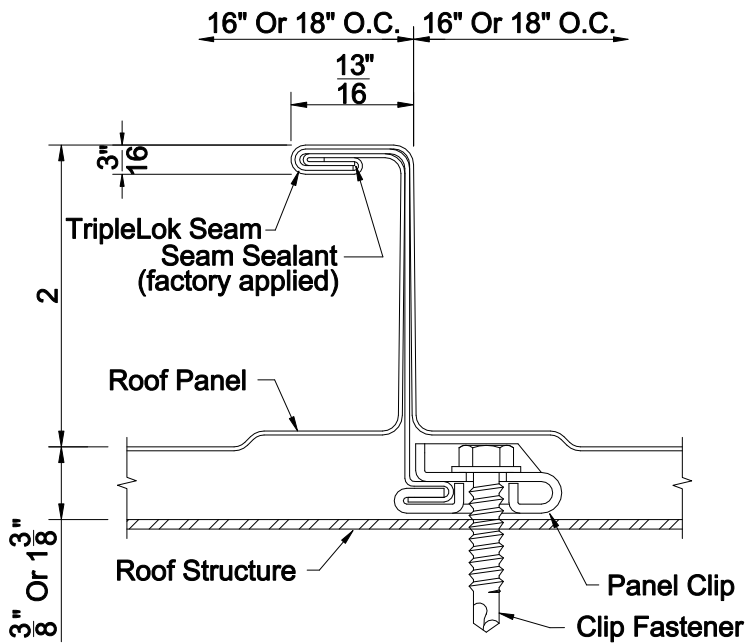
Date

JANUARY 08

PAGE: 5



Quadlok Seam



Triplelok Seam

Roof Panel Seam Section (With Floating Panel Clip)

This drawing, as well as the designs and illustrations shown and described are furnished under licence and may be used or copied only in accordance with the terms of such licence. The content of this drawing is furnished to the Building Research Systems, Inc. (BRS) licensee only and is subject to change without notice and should not be construed as a commitment by BRS. Printed in the United States of America. All rights reserved. This drawing may not be produced, stored in a retrieval system, or transmitted in any form without the written permission of Building Research Systems, Inc.