

Creating Unique Products
for Your Market Needs

PanelCraft™ Roof System Architectural Details

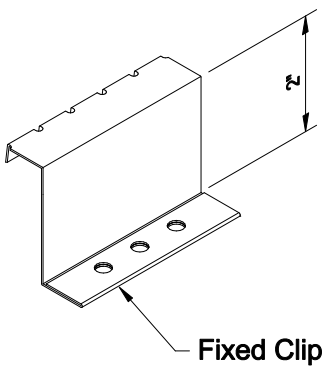
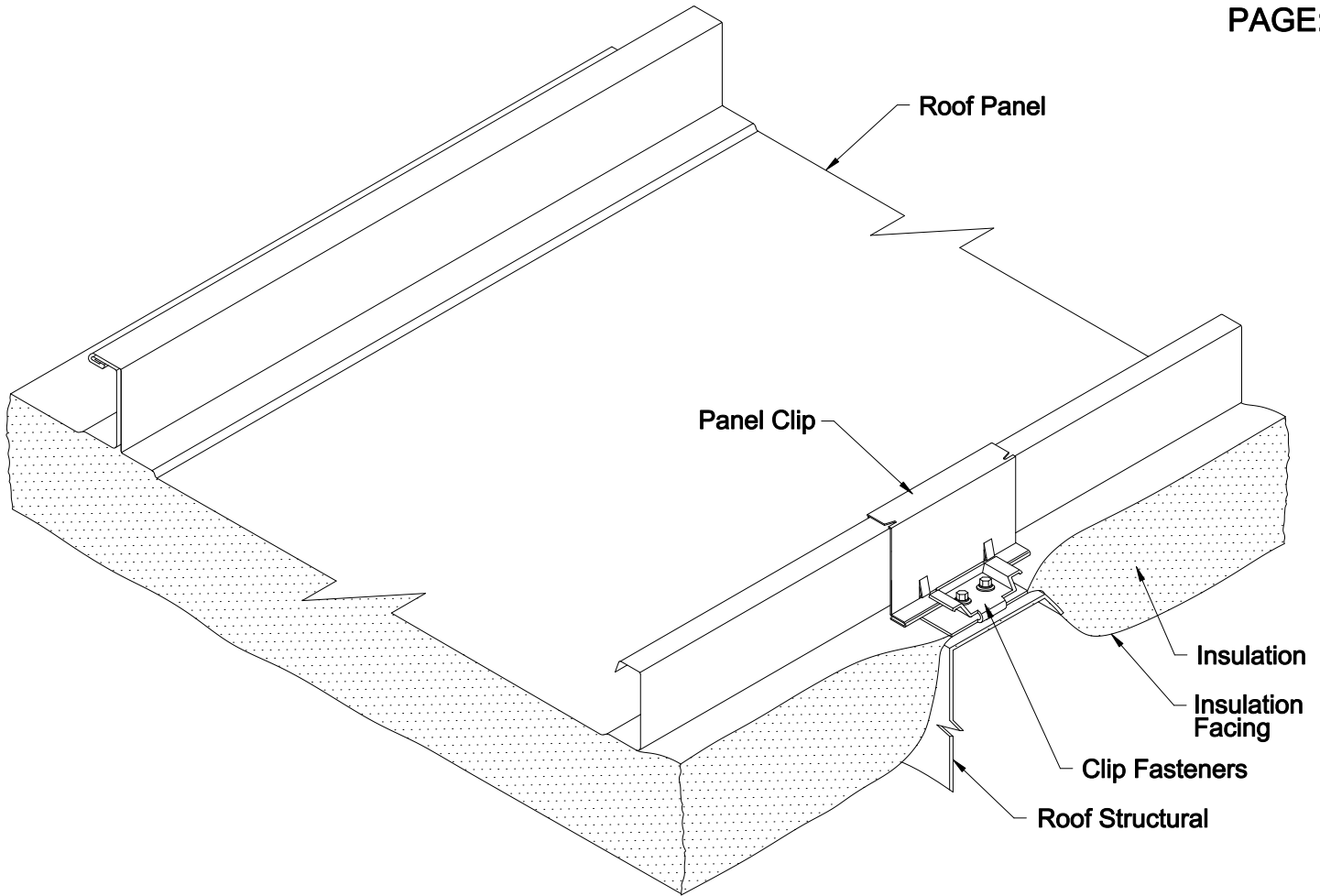
Dwg. No.

E_PC0_007R00BRS

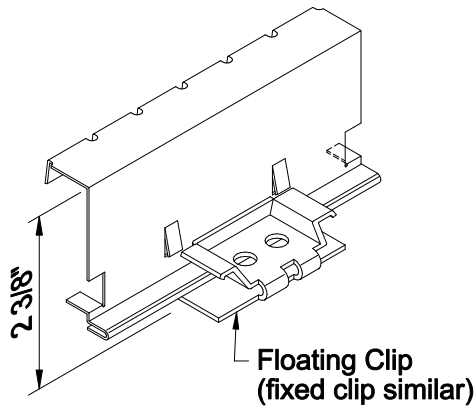
Date

APRIL 07

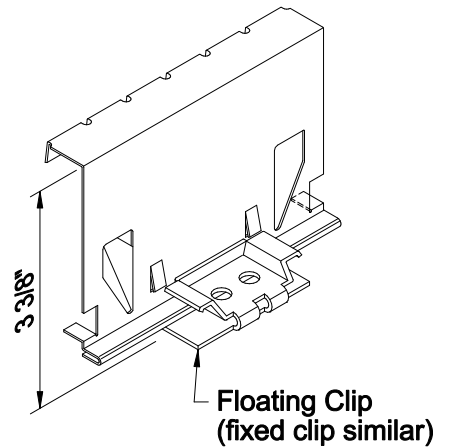
PAGE: 7



For 0"
Fixed Roof Only



For 3/8" Stand-off
Fixed Or Floating Roof



For 1 3/8" Stand-off
Fixed Or Floating Roof

Roof Panel Clip Details

This drawing, as well as the designs and illustrations shown and described are furnished under licence and may be used or copied only in accordance with the terms of such licence. The content of this drawing is furnished to the Building Research Systems, Inc. (BRS) licensee only and is subject to change without notice and should not be construed as a commitment by BRS.

Printed in the United States of America. All rights reserved. This drawing may not be produced, stored in a retrieval system, or transmitted in any form without the written permission of Building Research Systems, Inc.