



Creating Unique Products  
for Your Market Needs

# PanelCraft™ Roof System Architectural Details

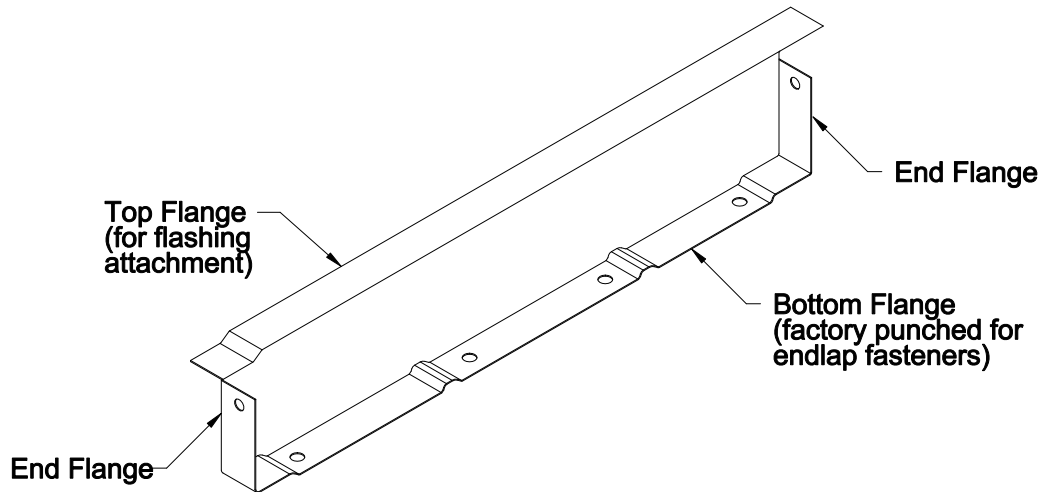
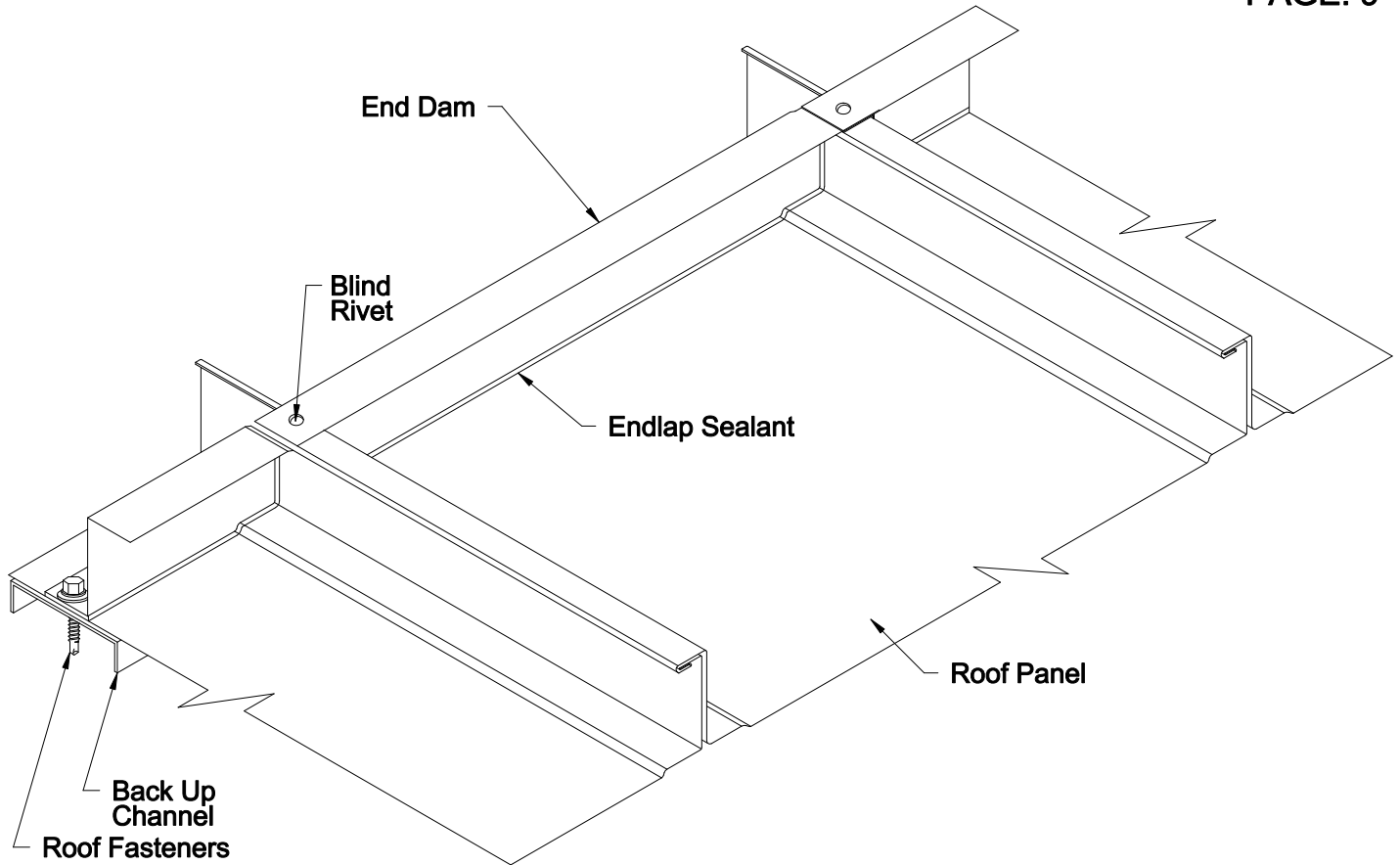
Dwg. No.

E\_PC0\_009R00BRS

Date

APRIL 07

PAGE: 9



End Dam - Inside View

## Roof Panel End Dam Details

This drawing, as well as the designs and illustrations shown and described are furnished under licence and may be used or copied only in accordance with the terms of such licence. The content of this drawing is furnished to the Building Research Systems, Inc. (BRS) licensee only and is subject to change without notice and should not be construed as a commitment by BRS. Printed in the United States of America. All rights reserved. This drawing may not be produced, stored in a retrieval system, or transmitted in any form without the written permission of Building Research Systems, Inc.