

Creating Unique Products
for Your Market Needs

PanelCraft™ Roof System Architectural Details

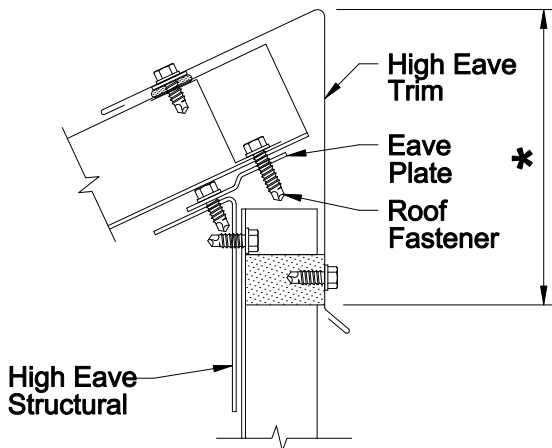
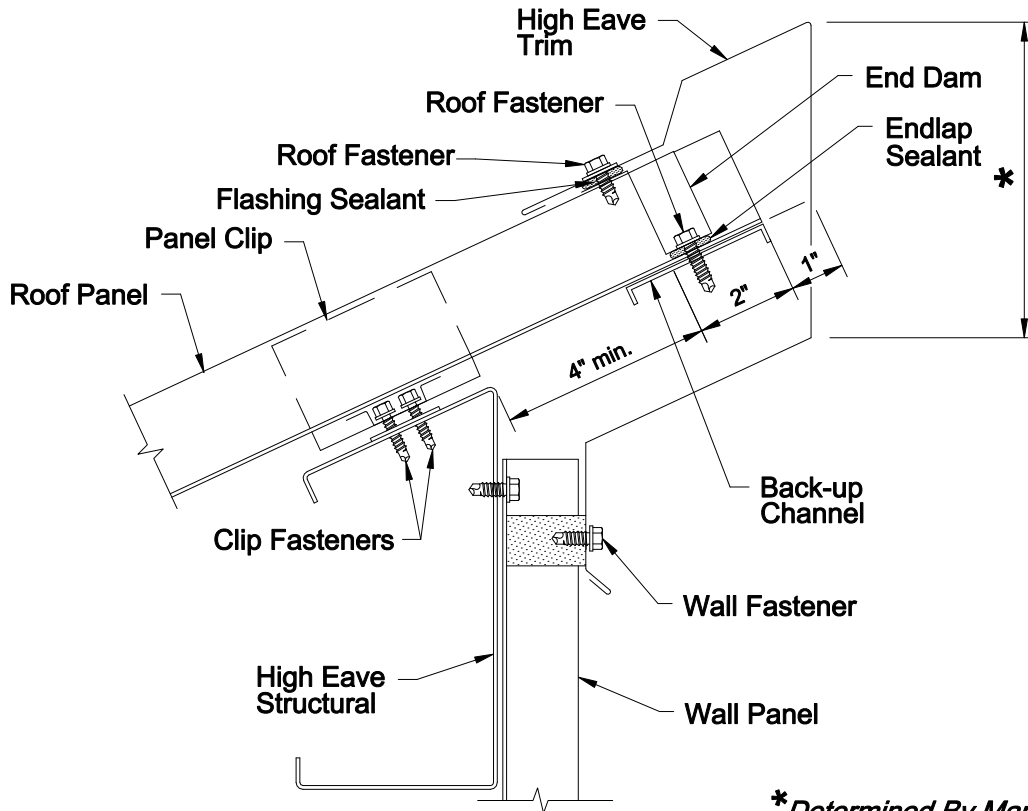
Dwg. No.

E_PC0_019R00BRS

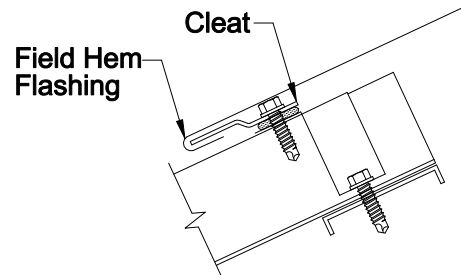
Date

APRIL 07

PAGE: 19



Alternate
Fixed Roof Panel
Attachment (Requires
Hemmed Roof Panel
Attachment At Eave)



Alternate
Field Hemmed Eave Trim

Architectural

High Eave Section

This drawing, as well as the designs and illustrations shown and described are furnished under licence and may be used or copied only in accordance with the terms of such licence. The content of this drawing is furnished to the Building Research Systems, Inc. (BRS) licensee only and is subject to change without notice and should not be construed as a commitment by BRS.
Printed in the United States of America. All rights reserved. This drawing may not be produced, stored in a retrieval system, or transmitted in any form without the written permission of Building Research Systems, Inc.