



Creating Unique Products
for Your Market Needs

PanelCraft™ Roof System Architectural Details

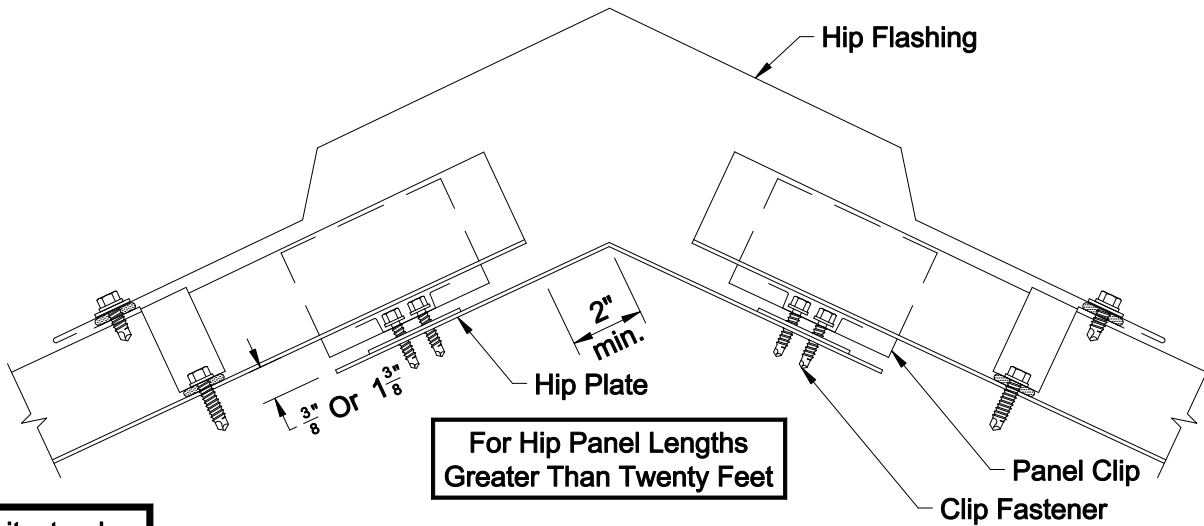
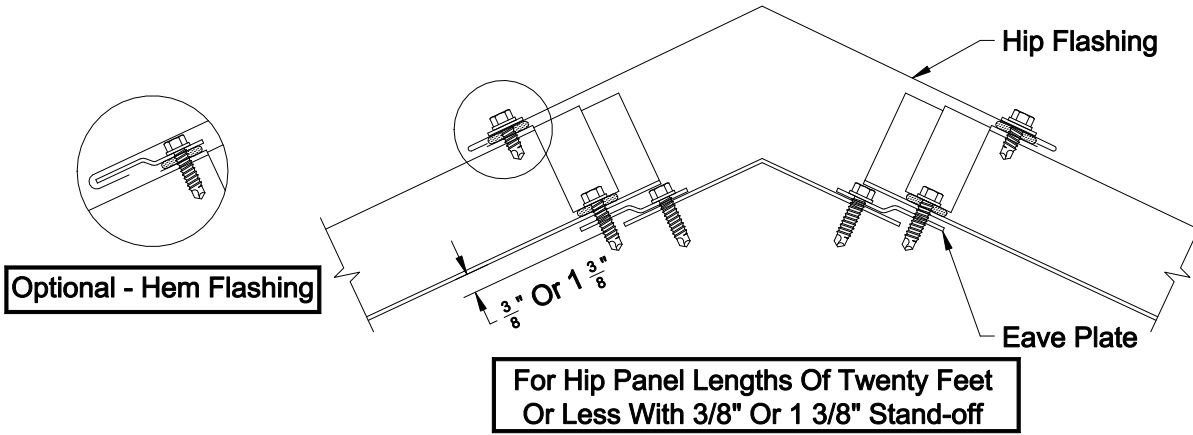
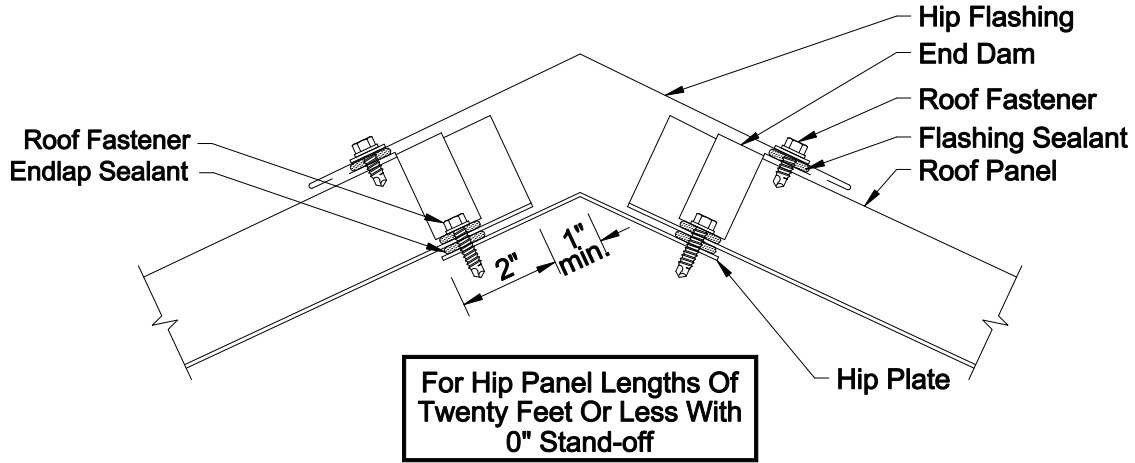
Dwg. No.

E_PC0_023R00BRS

Date

APRIL 07

PAGE: 23



Hip Section

This drawing, as well as the designs and illustrations shown and described are furnished under licence and may be used or copied only in accordance with the terms of such licence. The content of this drawing is furnished to the Building Research Systems, Inc. (BRS) licensee only and is subject to change without notice and should not be construed as a commitment by BRS. Printed in the United States of America. All rights reserved. This drawing may not be produced, stored in a retrieval system, or transmitted in any form without the written permission of Building Research Systems, Inc.