



Creating Unique Products
for Your Market Needs

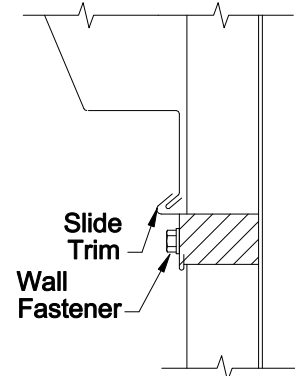
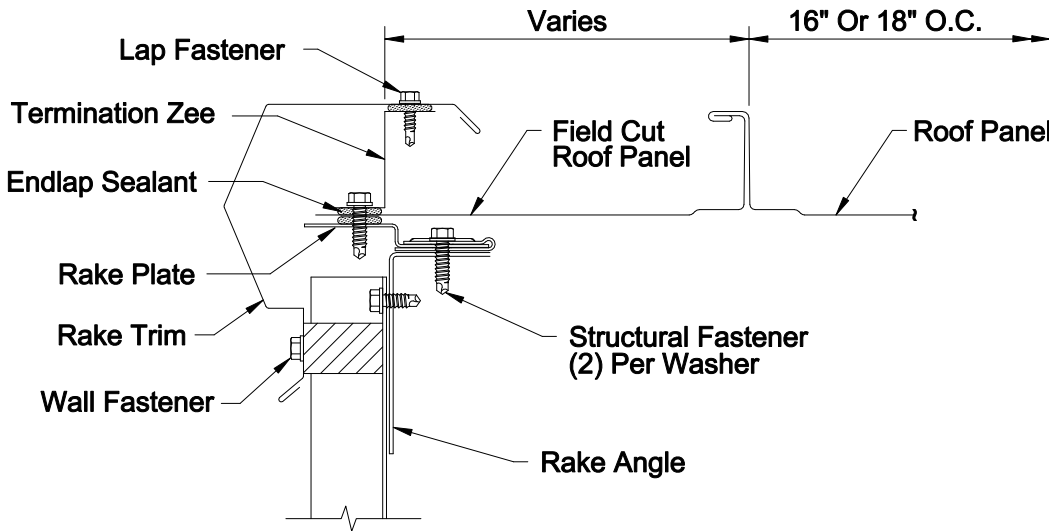
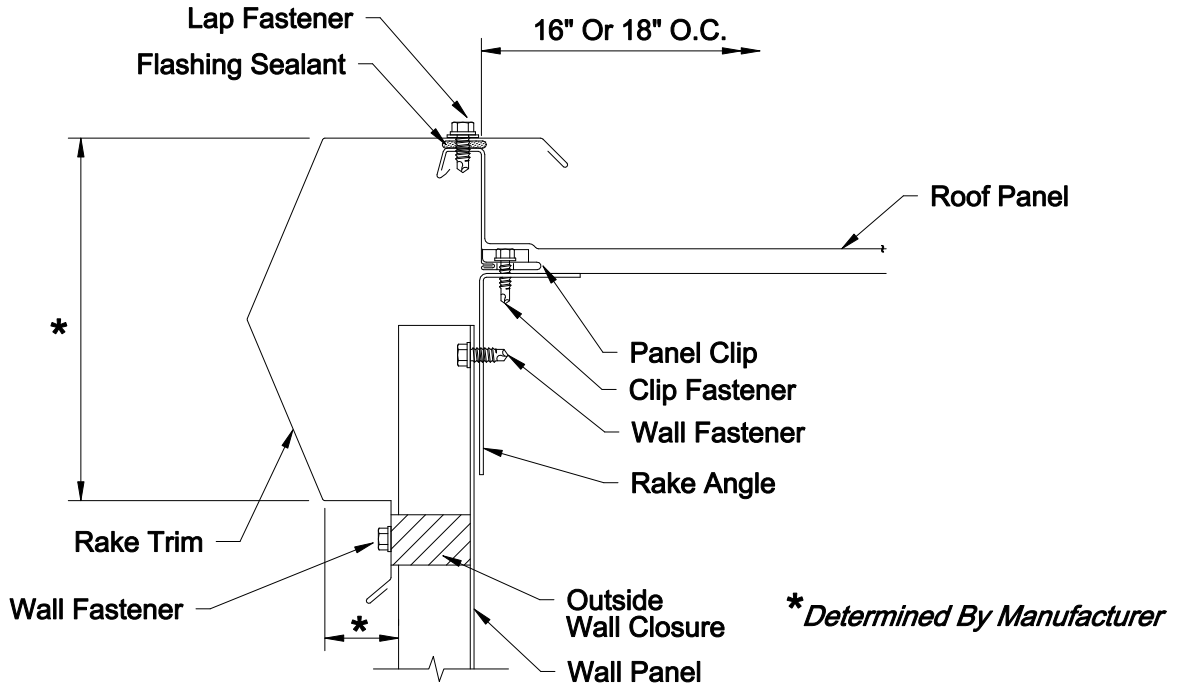
PanelCraft™ Roof System Architectural Details

Dwg. No.

E_PC0_032R01BRS

Date

SEPTEMBER 2017



Alternate
Field Cut Roof Panel

Alternate Sliding Rake Trim
(Allows Expansion Movement Of Rake Trim,
Required When Roof Run Exceeds 50')

Functional

Rake Section - Starting Rake

This drawing, as well as the designs and illustrations shown and described are furnished under licence and may be used or copied only in accordance with the terms of such licence. The content of this drawing is furnished to the Building Research Systems, Inc. (BRS) licensee only and is subject to change without notice and should not be construed as a commitment by BRS. Printed in the United States of America. All rights reserved. This drawing may not be produced, stored in a retrieval system, or transmitted in any form without the written permission of Building Research Systems, Inc.