

Creating Unique Products
for Your Market Needs

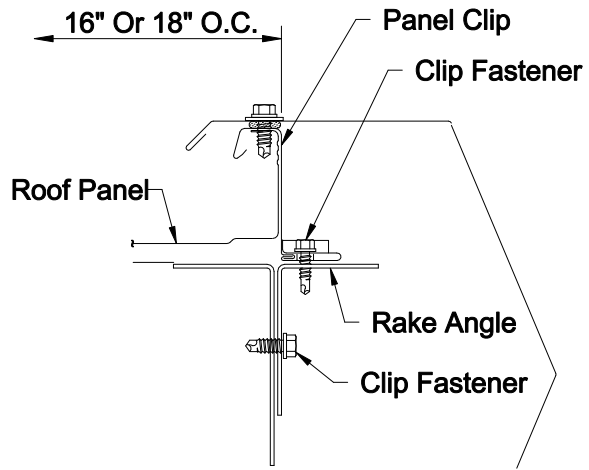
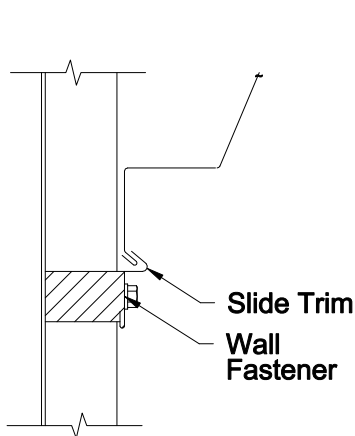
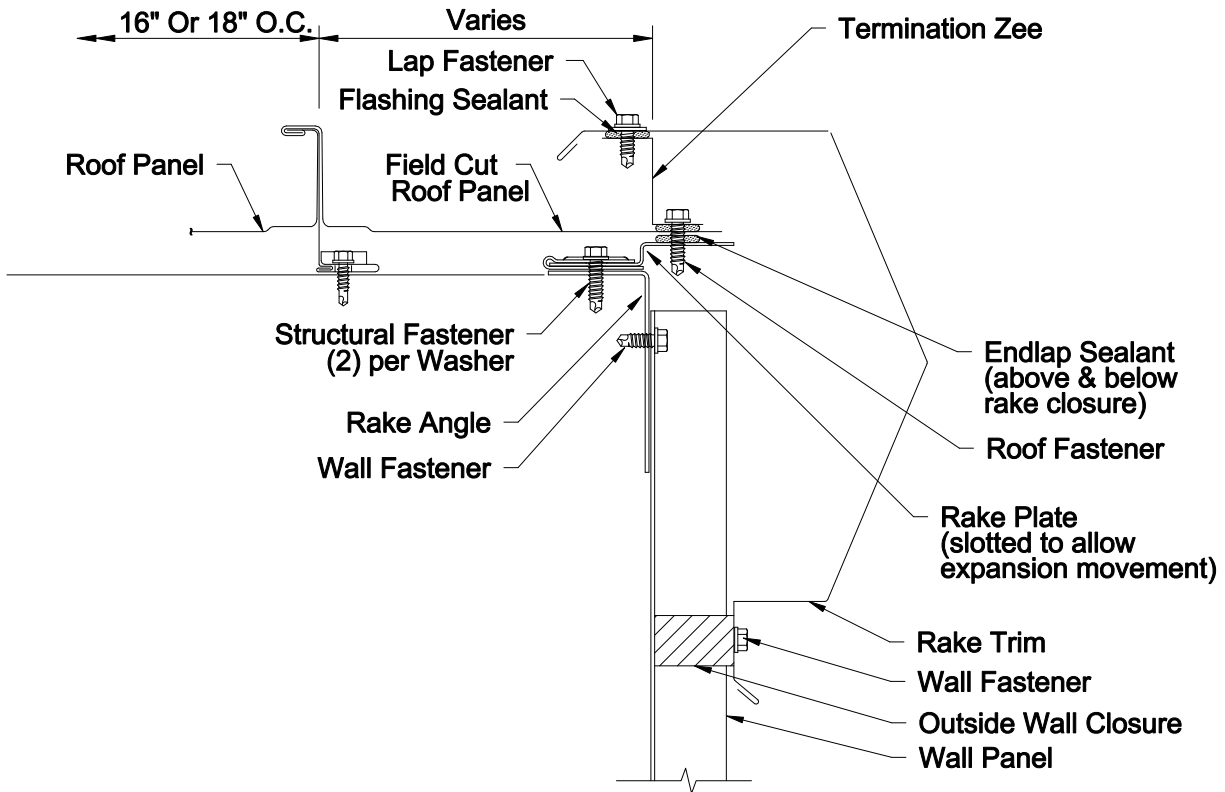
PanelCraft™ Roof System Architectural Details

Dwg. No.

E_PC0_033R01BRS

Date

SEPTEMBER 2017



**Alternate
Sliding Rake Trim**
(Allows Expansion Movement Of Rake Trim
Required When Roof Run Exceeds 50')

**Alternate
Attachment To Roof Panel Seam**

Functional

Rake Section - Finish Rake

This drawing, as well as the designs and illustrations shown and described are furnished under licence and may be used or copied only in accordance with the terms of such licence. The content of this drawing is furnished to the Building Research Systems, Inc. (BRS) licensee only and is subject to change without notice and should not be construed as a commitment by BRS.
Printed in the United States of America. All rights reserved. This drawing may not be produced, stored in a retrieval system, or transmitted in any form without the written permission of Building Research Systems, Inc.