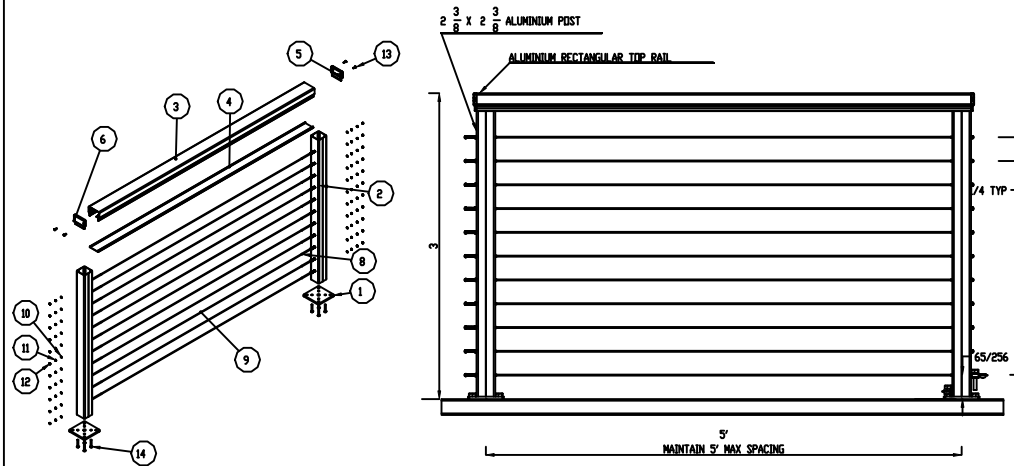
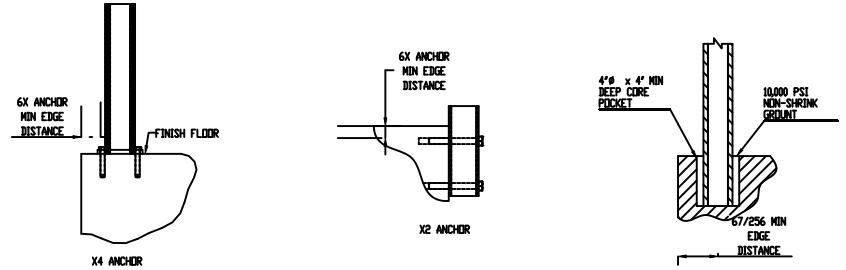
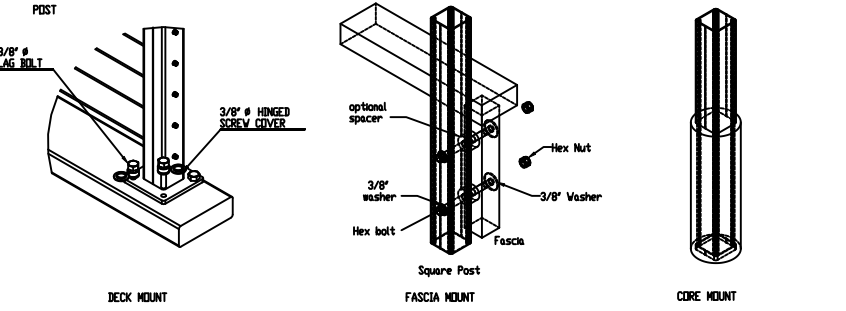


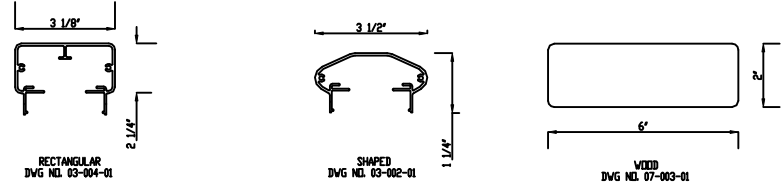
ITEM NO.	PART NUMBER	DESCRIPTION	QTY.
1	03-009-01	BASE PLATE	2
2	03-001-01	TERMINAL POST (6063 T6 ALUM)	2
3	03-004-01	RECTANGULAR TOP RAIL (6062 T6 ALUM)	1
4	03-005-01	TOP RAIL SNAP COVER (6062 T6 ALUM)	1
5	03-005-01	RECTANGULAR RAIL END	1
6	Non-03-005-01	RECTANGULAR RAIL END (A6132 ALUM)	1
7	01-0085-01 DR 01-0285-01	FIELD THREADED TERMINAL	11
8	01-0089-01 DR 01-0289-01	FIELD THREADED TENSIONER	11
9	Stainless Cable	1/8" or 3/16" DIA.	11
10	Stainless Washer	STD	22
11	Stainless Hex Nut	STD	22
12	Stainless Acorn Nut	STD	22
13	6-32 SS TYPE	STD	4
14	1/4-20x2 1/2 PHIL. FH 1/4 410 SS	STD	8
15	LAG BOLT	STD	8



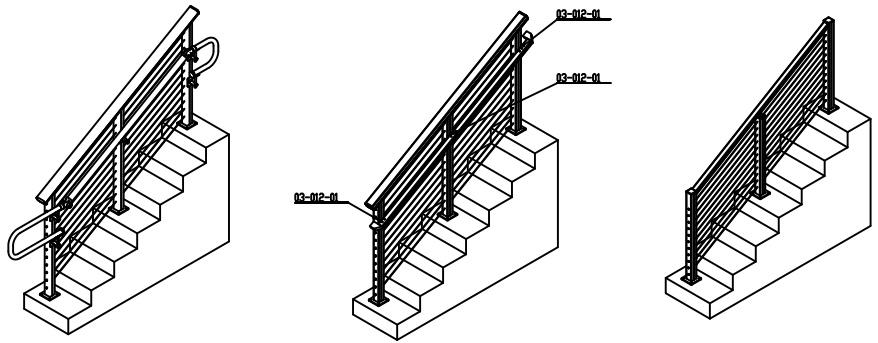
LEVEL 36' STANDARD GUARD RAILING



TYPICAL MOUNTING OPTIONS



TOP RAIL OPTIONS

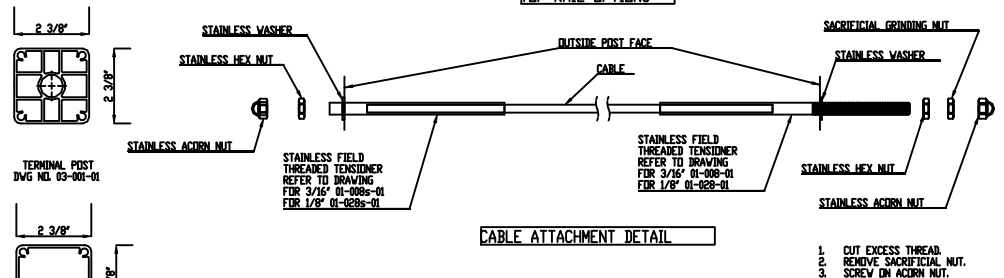


STAINLESS STEEL HAND RAIL

POST-TO-POST STAND ALONE HAND RAIL

POST-TO-POST STAIR HAND RAIL

STAIRS 36" STANDARD GUARD RAILING



CABLE ATTACHMENT DETAIL

- CUT EXCESS THREAD.
- REMOVE SACRIFICIAL NUT.
- SCREW ON ACORN NUT.

POWDER COAT OPTION :					
BLACK	BRONZE	WHITE	CLAY	NATURAL	
REV	DATE	DESCRIPTION OF CHANGE	EDN	BY	APPR
REVISIONS					
		TOLERANCES UNLESS SPECIFIED ANGULAR ± 0.5° FUNCTIONAL ± 1/32	THIS DRAWING IS THE PROPERTY OF STAINLESS CABLE & RAILING AND IS PREPARED UNDER COMPANY LAW AS APPLIED TO ALL WORK. IT MAY BE REPRODUCED OR TRANSMITTED IN ANY FORM OR BY ANY MEANS WITHOUT PERMISSION FROM SCAR	TITLE : CABLEVIEW ALUMINUM 36" RAILING	
DRAWN BY: PA		DATE: 03/01/02	PROJECT: 03-001-01	DWG NO: CV-436	SHEET 1 OF 1