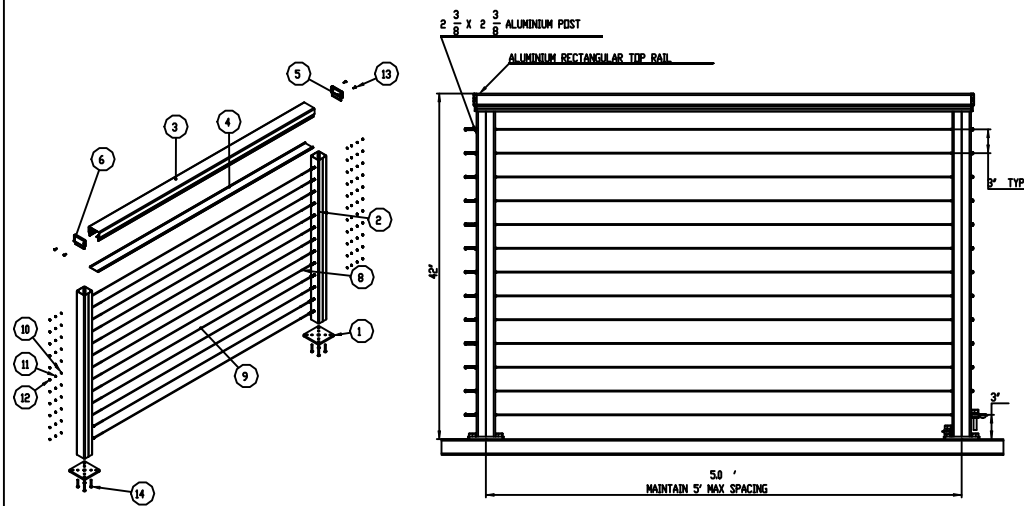
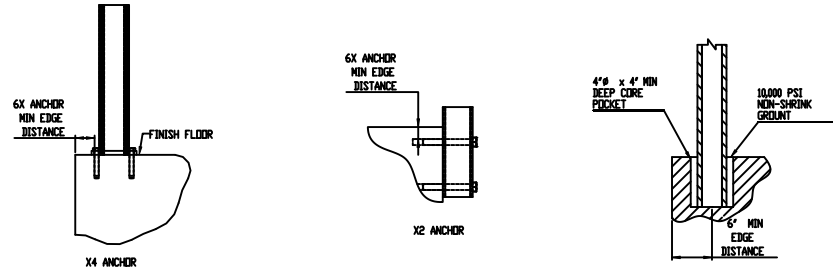
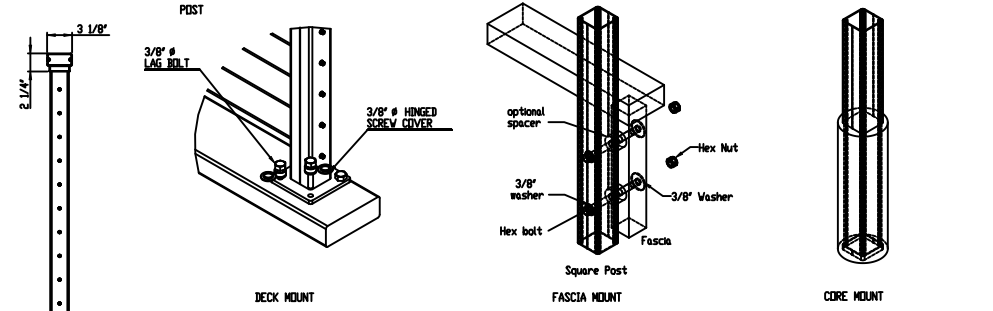


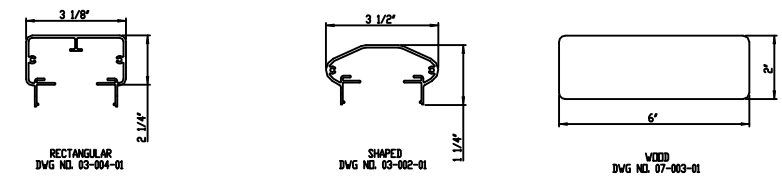
ITEM NO.	PART NUMBER	DESCRIPTION	QTY.
1	03-009-01	BASE PLATE	2
2	03-001-01	TERMINAL POST (6005 T6 ALUM)	2
3	03-004-01	RECTANGULAR TOP RAIL (6082 T6 ALUM)	1
4	03-005-01	TOP RAIL SNAP COVER (6082 T6 ALUM)	1
5	03-005-01	RECTANGULAR RAIL END	1
6	Non-03-005-01	RECTANGULAR RAIL END (A3012 ALUM)	1
7	01-0085-01 DR 01-0285-01	FIELD THREADED TERMINAL	13
8	01-0089-01 DR 01-0289-01	FIELD THREADED TENSIONER	13
9	Stainless Cable	1/8" or 3/16" DIA.	13
10	Stainless Washer	STD	26
11	Stainless Hex Nut	STD	26
12	Stainless Acorn Nut	STD	26
13	6-32 SS TYPE	STD	4
14	1/4-20x2 1/2 PHIL FH 1/4 410 SS	STD	8
15	LAG BOLT	STD	8



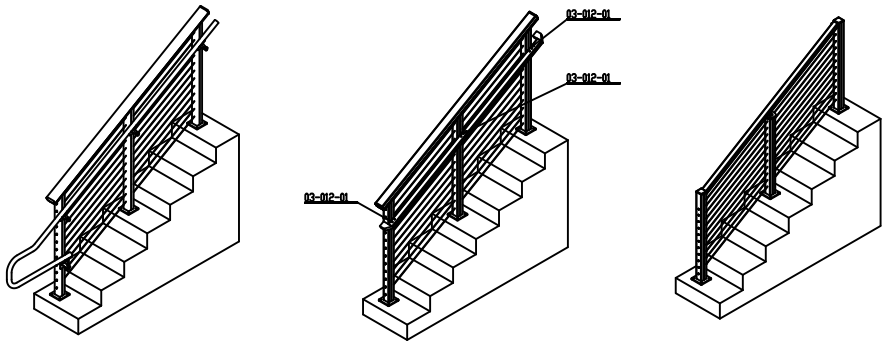
LEVEL 42" STANDARD GUARD RAILING



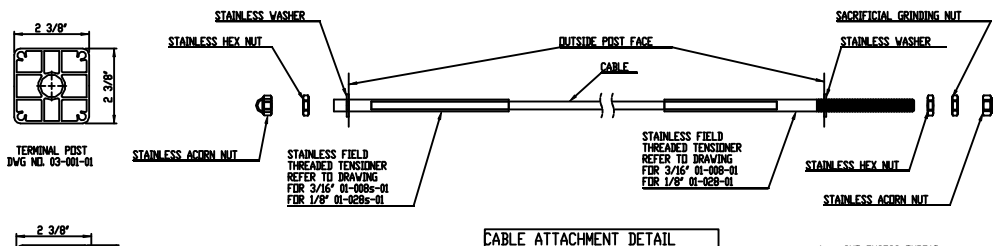
TYPICAL MOUNTING OPTIONS



TOP RAIL OPTIONS



STAIRS 42" STANDARD GUARD RAILING



CABLE ATTACHMENT DETAIL

- CUT EXCESS THREAD.
- REMOVE SACRIFICIAL NUT.
- SCREW ON ACORN NUT.

POWDER COAT OPTION :					
BLACK	BRONZE	WHITE	CLAY	NATURAL	
REV	DATE	DESCRIPTION OF CHANGE	EDH	BY	APPR
REVISIONS					
		TOLERANCES UNLESS OTHERWISE SPECIFIED ANGULAR ± 1/2° FUNCTIONAL ± 1/32	THIS DRAWING IS THE PROPERTY OF STAINLESS CABLE & RAILING AND IS PROTECTED UNDER COPYRIGHT LAW AS APPLICABLE. IT IS TO BE KEPT IN CONFIDENTIALITY AND NOT REPRODUCED OR TRANSMITTED IN ANY FORM OR BY ANY MEANS, ELECTRONIC OR MECHANICAL, INCLUDING PHOTOCOPYING, RECORDING, OR BY ANY INFORMATION STORAGE AND RETRIEVAL SYSTEM, WITHOUT PERMISSION FROM SCAR.	TITLE : CABLEVIEW ALUMINUM 42" RAILING DVG NO. CV-42 SHEET 1 OF 1	
BROWN BY:	PA	DATE	PROJECT		