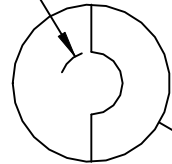
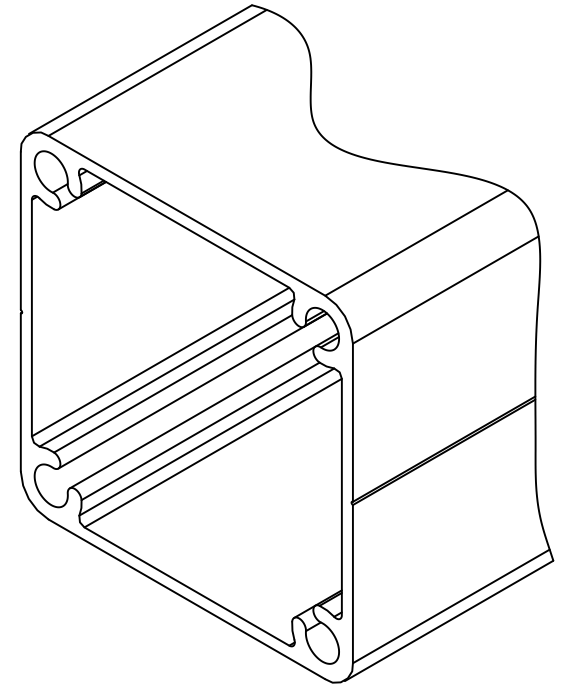
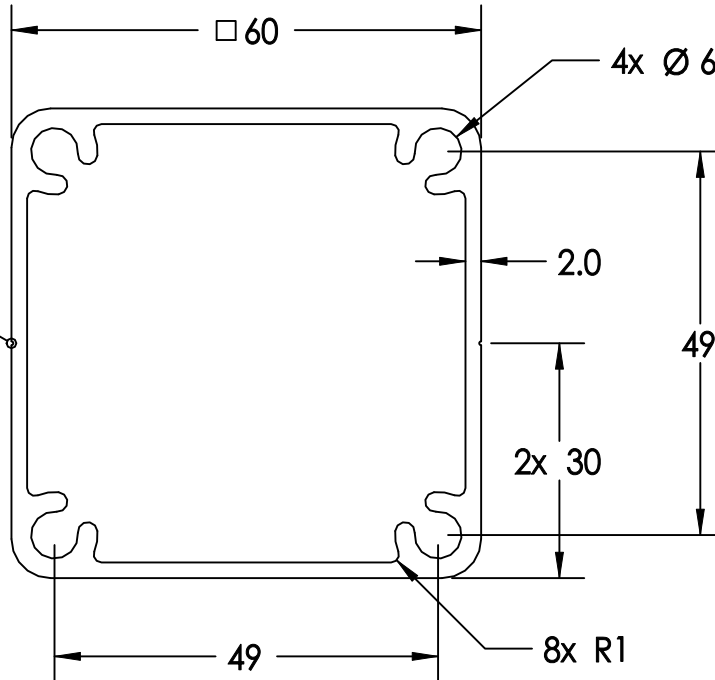


Ø 0.50



**DETAIL A
SCALE 16 : 1**



PROPRIETARY AND CONFIDENTIAL
THE INFORMATION CONTAINED IN THIS DRAWING IS THE SOLE PROPERTY OF STAINLESS CABLE & RAILING, INC. ANY REPRODUCTION IN PART OR AS A WHOLE WITHOUT THE WRITTEN PERMISSION OF STAINLESS CABLE & RAILING, INC. IS PROHIBITED.

		UNLESS OTHERWISE SPECIFIED: DIMENSIONS ARE IN Millimeters TOLERANCES: x = 0.1 x.x = 0.1 x.xx = 0.01 x.xxx = 0.005	NAME	DATE	Stainless Cable & Railing, Inc. 888-686-7245 (RAIL)		
			DRAWN	GM			04/30/08
			INTERPRET GEOMETRIC TOLERANCING PER:	CHECKED		TITLE: <h1>Intermediate Post</h1>	
			MATERIAL	ENG APPR.			
			FINISH	MFG APPR.			
NEXT ASSY	USED ON	DO NOT SCALE DRAWING	Q.A.		SIZE	DWG. NO.	REV
APPLICATION			COMMENTS: Powdercoating to meet or exceed AAMA2604 Salt Spray Resistance		A	03-001-02	PR1
5	4	3	2	1	SCALE: 1:1	WEIGHT:	SHEET 1 OF 1