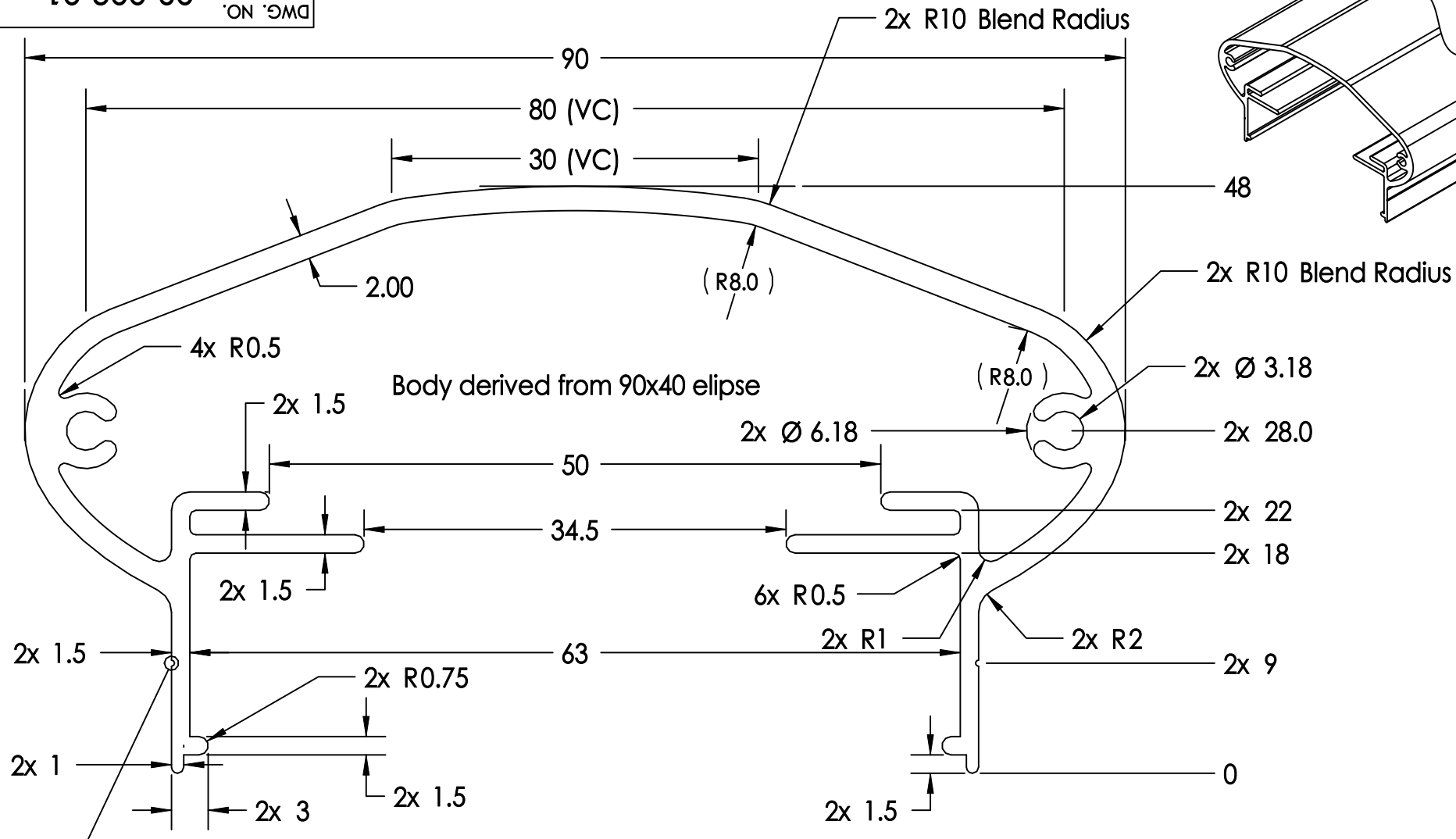
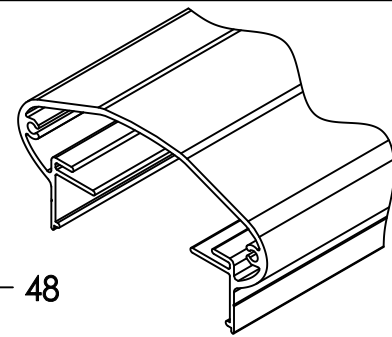


10-200-00

DWG. NO.



R0.25

DETAIL A
SCALE 8 : 1

		UNLESS OTHERWISE SPECIFIED:		NAME	DATE	Stainless Cable & Railing, Inc. 888-686-7245 (RAIL)		
		DIMENSIONS ARE IN Millimeters		DRAWN	GM	04/25/08	TITLE: Elliptical Top Rail	
		TOLERANCES: x = 0.1 x.x = 0.1 x.xx = 0.01 x.xxx = 0.005		CHECKED				
		INTERPRET GEOMETRIC TOLERANCING PER:		ENG APPR.				
		MATERIAL 6082 T6 Alu		MFG APPR.				
		FINISH Powdercoat 6 Mil Min.		Q.A.			SIZE DWG. NO. REV A 03-002-01 PR1	
NEXT ASSY	USED ON	DO NOT SCALE DRAWING		COMMENTS: Powdercoating to meet or exceed AAMA2604 Salt Spray Resistance		SCALE: 2:1		WEIGHT:

PROPRIETARY AND CONFIDENTIAL
THE INFORMATION CONTAINED IN THIS DRAWING IS THE SOLE PROPERTY OF STAINLESS CABLE & RAILING, INC. ANY REPRODUCTION IN PART OR AS A WHOLE WITHOUT THE WRITTEN PERMISSION OF STAINLESS CABLE & RAILING, INC. IS PROHIBITED.

5

4

3

2

1