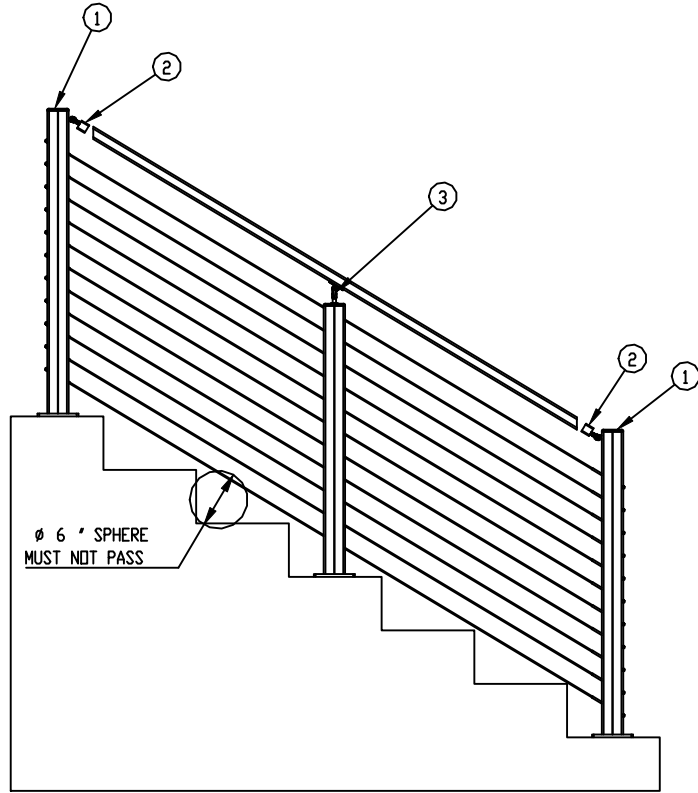
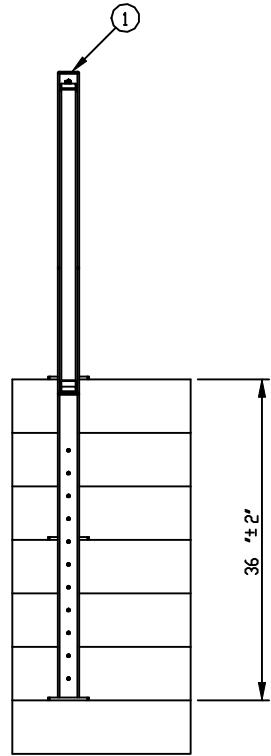


ITEM NO.	PART NUMBER	DESCRIPTION	Default/ QTY.
1	03-008-01	POST CAP	2
2	03-014-01	POST-TO-POST ARTICULATING BRACKET	2
3	03-015-01	POST-TO-POST HANDRAIL SADDLE BRACKET	1




**NOTES :** UNLESS OTHERWISE SPECIFIED

1. DIMENSIONS ARE IN MM .
2. MACHINED SURFACES TO BE 63µIN MAX.
3. DO NOT SCALE DRAWING.
4. PART TO BE FREE OF BURRS AND SHARP EDGES.
5. ALL MATERIAL TO BE CLEAN, DEGREASED AND FREE OF ALL IMPURITIES.
6. ANY CHANGE MUST BE AUTHORIZED BY AN SC&R ENGINEER.

MATERIAL TYPE : 316 SS

VENDOR ID:

REV	DATE	DESCRIPTION OF CHANGE	ECN	BY.	APPR
REVISIONS					
 <b>Stainless Cable &amp; Railing</b>		<b>TOLERANCES</b> XX ±.01 UNLESS XXX ±.005 OTHERWISE ANGULAR ±0.5° SPECIFIED FRACTIONAL ±1/32	THIS DRAWING IS THE PROPERTY OF STAINLESS CABLE & RAILING AND IS PROTECTED UNDER COPYRIGHT LAW AS AN UNPUBLISHED WORK. IT MAY NOT BE PUBLISHED, COPIED OR REPRODUCED WITHOUT EXPRESS WRITTEN PERMISSION FROM SC&R		
DRAWN BY: PA		DATE: ##	PROJECT: ##		
			TITLE :		POST-TO-POST STAIR HANDRAIL
			DRG NO.		P2PHR2
					SHEET 1 OF 1