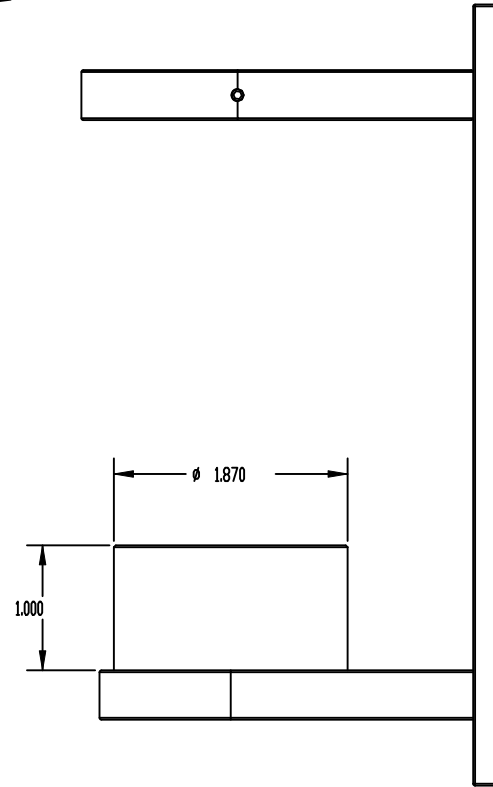
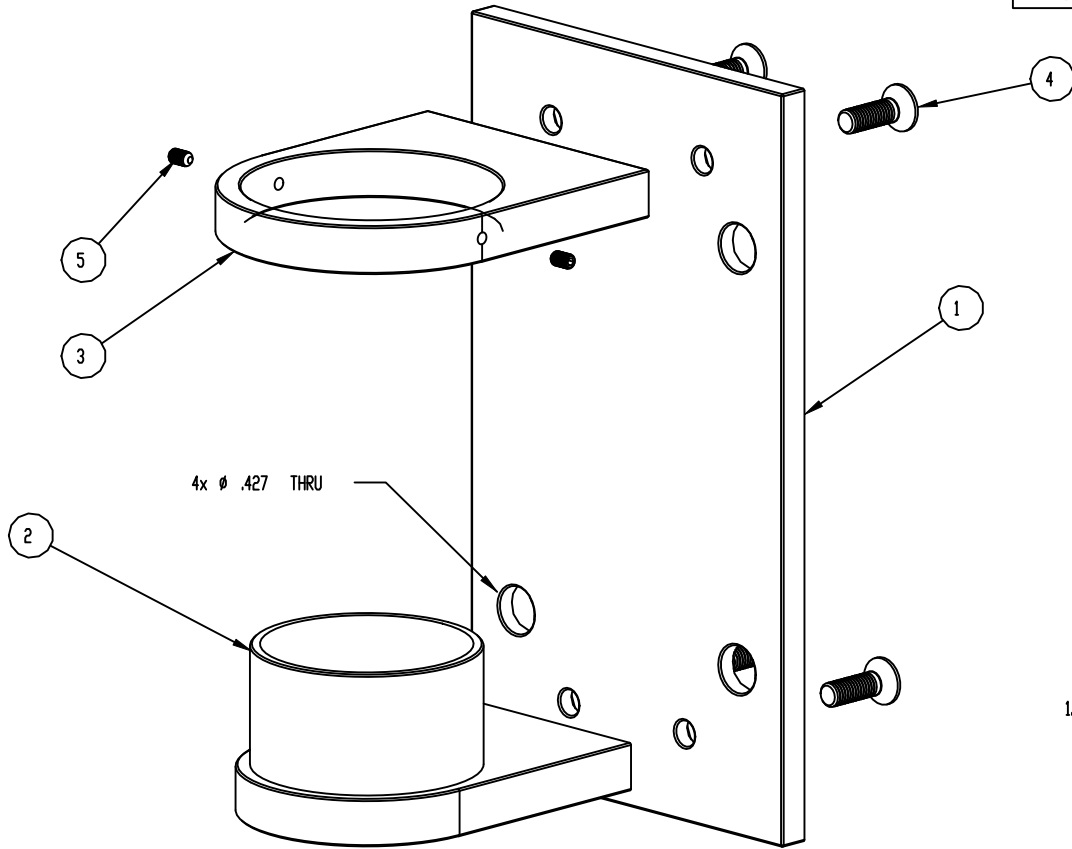


ITEM NO.	PART NUMBER	DESCRIPTION	QTY.	MATERIAL TYPE
1	05-310-01	Plate - Stainless 2" Fascia Bracket	1	316 SS
2	05-310-02	Base - Stainless 2" Fascia Bracket	1	316 SS
3	05-310-03	Retainer Ring - Stainless 2" Fascia Bracket	1	316 SS
4		M5 x 0.8 x 16mm FHSCS	4	
5		M3 x 0.5 x 5mm Set Screw	2	



NOTES: UNLESS OTHERWISE SPECIFIED

1. DIMENSIONS ARE IN INCHES (MM).
2. MACHINED SURFACES TO BE 63 μ IN MAX.
3. DO NOT SCALE DRAWING.
4. PART TO BE FREE OF BURRS AND SHARP EDGES.
5. ALL MATERIAL TO BE CLEAN, DEGREASED AND FREE OF ALL IMPURITIES.
6. ANY CHANGE MUST BE AUTHORIZED BY AN SC&R ENGINEER.

MATERIAL TYPE: See BOM

VENDOR ID:

REV	DATE	DESCRIPTION OF CHANGE	ECN	BY	APPV	
REVISIONS						
		Stainless Cable S. Railing	TOLERANCES XX ±.01 XXX ±.005 ANGULAR .45° FRACTIONAL 1/32	UNLESS OTHERWISE SPECIFIED	THIS DRAWING IS THE PROPERTY OF SC&R. IT IS TO BE USED ONLY FOR THE PROJECT AND LOCATION SPECIFIED. IT IS NOT TO BE REPRODUCED, COPIED, OR OTHERWISE USED FOR ANY OTHER PROJECT WITHOUT THE WRITTEN PERMISSION OF SC&R.	
Part Name: Stainless Fascia Bracket ASM			Part No: 05-310-00-ASM			
Drawn By: GH	Date: 1/11/2011	Project:	SHEET 1 OF 1			