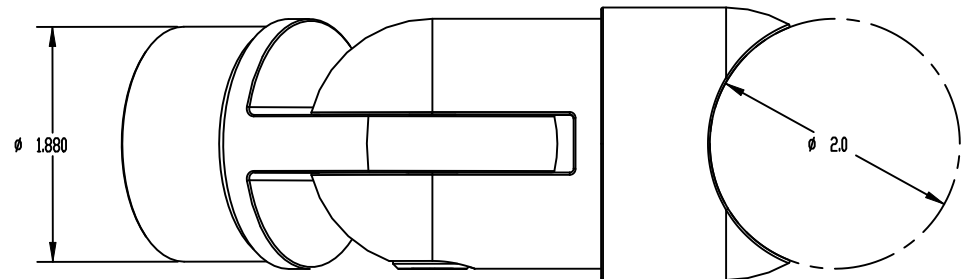
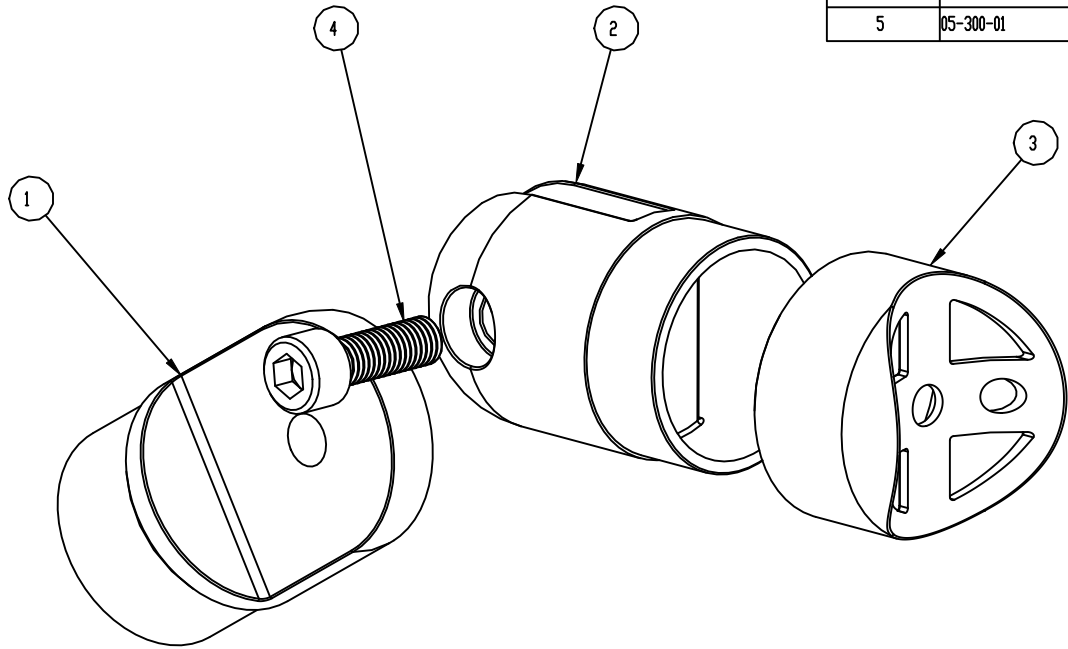


ITEM NO.	PART NUMBER	DESCRIPTION	QTY.	MATERIAL TYPE
1	05-280-01	Base - Stainless 2' Adjustable Elbow	1	316 SS
2	05-290-02	Sleeve - Stainless 2' Adjustable Top Rail / Post Connector	1	316 SS
3	05-290-01	Cradle - Stainless 2' Adjustable Top Rail / Post Connector	1	316 SS
4		M10 x 1.5 x 30 SHCS	1	
5	05-300-01	2' Stainless Tubing	2	316 SS



TOP VIEW

- NOTES:** UNLESS OTHERWISE SPECIFIED
1. DIMENSIONS ARE IN INCHES (MM).
 2. MACHINED SURFACES TO BE 63 μ IN MAX.
 3. DO NOT SCALE DRAWING.
 4. PART TO BE FREE OF BURRS AND SHARP EDGES.
 5. ALL MATERIAL TO BE CLEAN, DEGREASED AND FREE OF ALL IMPURITIES.
 6. ANY CHANGE MUST BE AUTHORIZED BY AN SC&R ENGINEER.

MATERIAL TYPE: See BOM
 VENDOR ID:

REV	DATE	DESCRIPTION OF CHANGE	ECN	BY	APPV
REVISIONS					
SC & R	Stainless Cable & Railing	JX 4.00 JXX 4.005 ANGULAR 4&S FRACTIONAL 4/32	TOLERANCES UNLESS OTHERWISE SPECIFIED	THIS DRAWING IS THE PROPERTY OF SC&R. IT IS TO BE USED ONLY FOR THE PROJECT AND FOR THE QUANTITY SPECIFIED. IT IS NOT TO BE REPRODUCED, COPIED, OR DISTRIBUTED WITHOUT THE WRITTEN PERMISSION OF SC&R.	
Part No: 05-290-00-ASM Date: 1/11/2011			Part No: 05-290-00-ASM Date: 1/11/2011		
Stainless 2' Adjustable Top Rail / Post Connector ASM					SHEET 1 OF 1