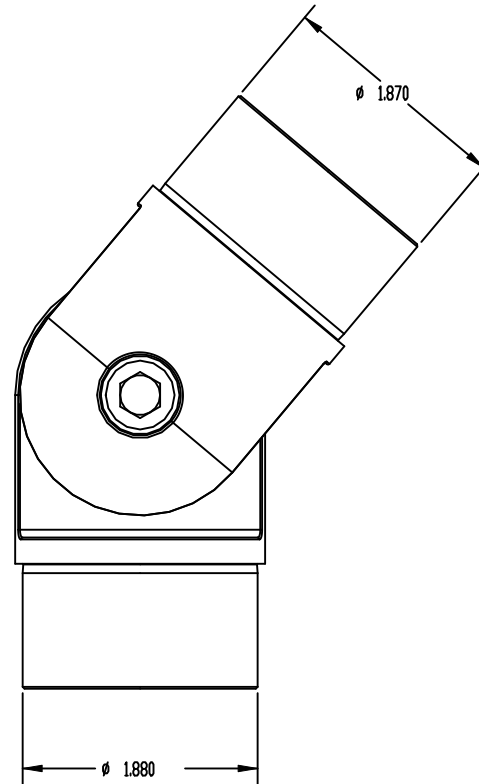
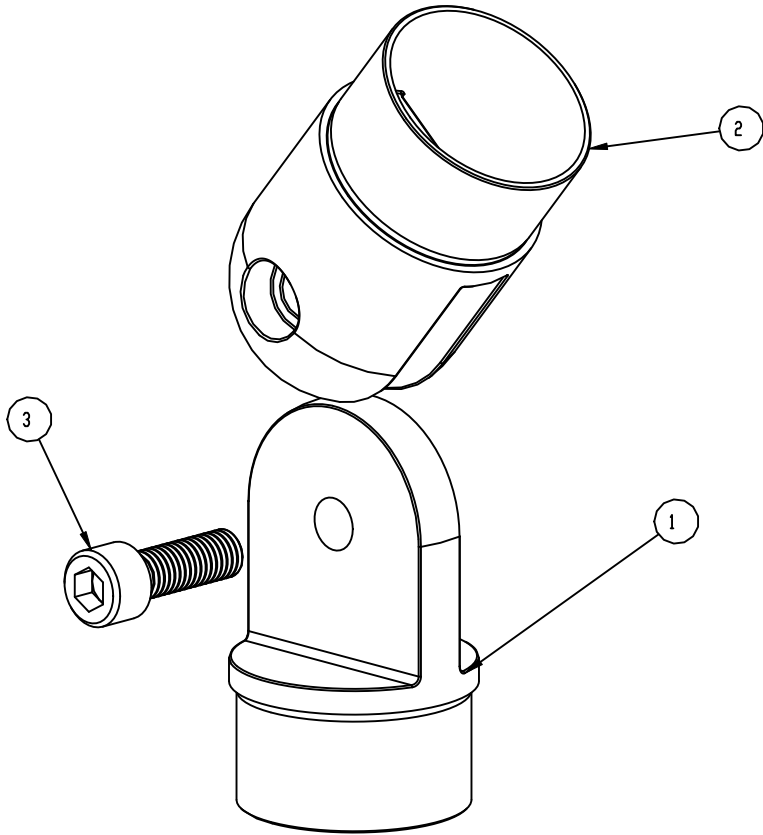


ITEM NO.	PART NUMBER	DESCRIPTION	QTY.	MATERIAL TYPE
1	05-280-01	Base - Stainless 2" Adjustable Elbow	1	316 SS
2	05-280-02	Sleeve - Stainless 2" Adjustable Elbow	1	316 SS
3		M10 x 1.5 x 30 SHCS	1	



- NOTES:** UNLESS OTHERWISE SPECIFIED
1. DIMENSIONS ARE IN INCHES (MM).
  2. MACHINED SURFACES TO BE 63  $\mu$ IN MAX.
  3. DO NOT SCALE DRAWING.
  4. PART TO BE FREE OF BURRS AND SHARP EDGES.
  5. ALL MATERIAL TO BE CLEAN, DEGREASED AND FREE OF ALL IMPURITIES.
  6. ANY CHANGE MUST BE AUTHORIZED BY AN SC&R ENGINEER.

MATERIAL TYPE: See BOM  
 VENDOR ID:

REV	DATE	DESCRIPTION OF CHANGE	ECN	BY	APPV
REVISIONS					
SC & R	Stainless Cable & Railing	XX ±.01 XXX ±.005 ANGULAR .45° FRACTIONAL 1/32	TOLERANCES UNLESS OTHERWISE SPECIFIED	THIS DRAWING IS THE PROPERTY OF SC&R RAILING. IT IS TO BE USED ONLY FOR THE PROJECT AND SPECIFICATIONS SHOWN. NO PART OF THIS DRAWING OR ANY INFORMATION CONTAINED HEREIN IS TO BE REPRODUCED OR TRANSMITTED IN ANY FORM OR BY ANY MEANS, ELECTRONIC OR MECHANICAL, INCLUDING PHOTOCOPYING, RECORDING, OR BY ANY INFORMATION STORAGE AND RETRIEVAL SYSTEM.	
Part No: 05-280-00-ASM Date: 1/11/2011			Stainless 2" Adjustable Elbow ASM		SHEET 1 OF 1