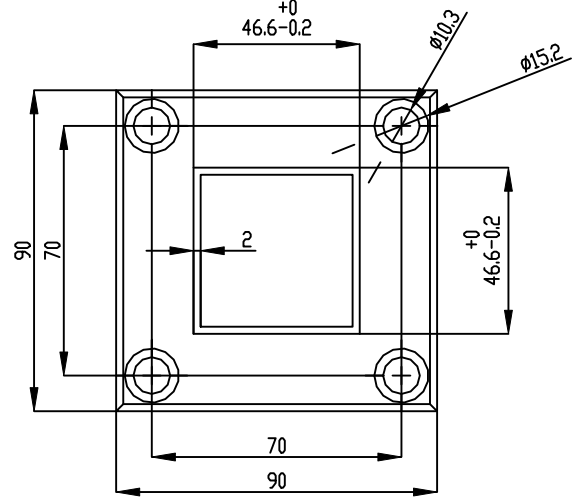



SECTION A-A



- NOTES : UNLESS OTHERWISE SPECIFIED
1. DIMENSIONS ARE IN INCHES (MM).
 2. MACHINED SURFACES TO BE 63μIN MAX.
 3. DO NOT SCALE DRAWING.
 4. PART TO BE FREE OF BURRS AND SHARP EDGES.
 5. ALL MATERIAL TO BE CLEAN, DEGREASED AND FREE OF ALL IMPURITIES.
 6. ANY CHANGE MUST BE AUTHORIZED BY AN SC&R ENGINEER.

MATERIAL TYPE : 316 SS
 VENDOR ID:

REV	DATE	DESCRIPTION OF CHANGE	ECN	BY.	APPR
REVISIONS					
 Stainless Cable & Railing		TOLERANCES XX ±.01 UNLESS OTHERWISE SPECIFIED XXX ±.005 FRACTIONAL ±1/32	THIS DRAWING IS THE PROPERTY OF STAINLESS CABLE & RAILING AND IS PROTECTED UNDER COPYRIGHT LAW AS AN UNPUBLISHED WORK. IT MAY NOT BE PUBLISHED, COPIED OR REPRODUCED WITHOUT EXPRESS WRITTEN PERMISSION FROM SC&R		
DRAWN BY: PA		DATE: ##	PROJECT: ##		TITLE : SS SQUARE INTERMEDIATE LONG NECK FLOOR FLANGE
			DRG NO. 04-160-1	SHEET 1 OF 1	