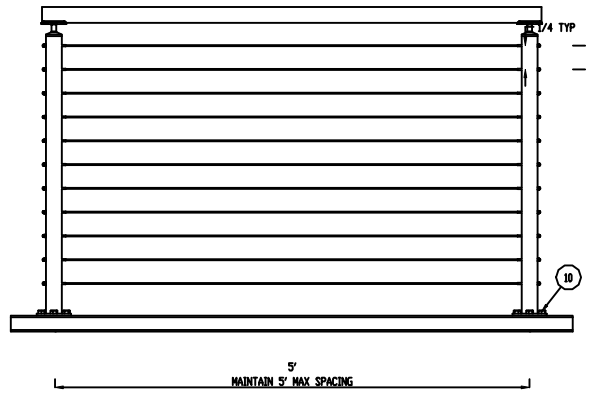
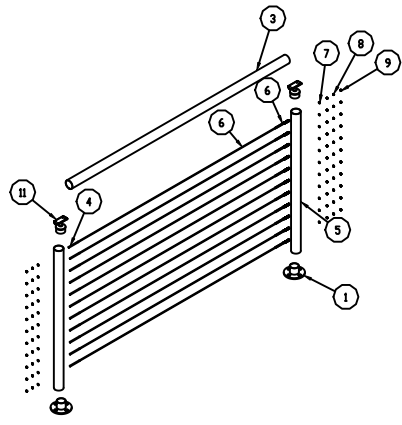
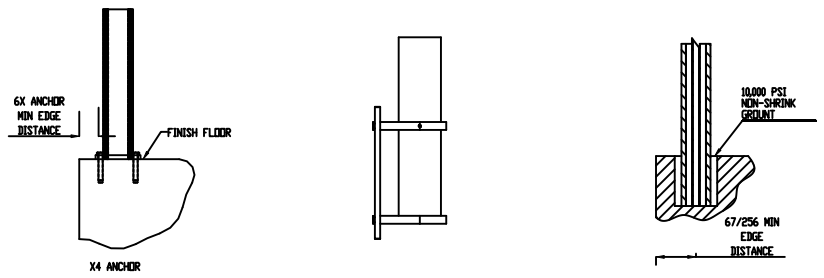
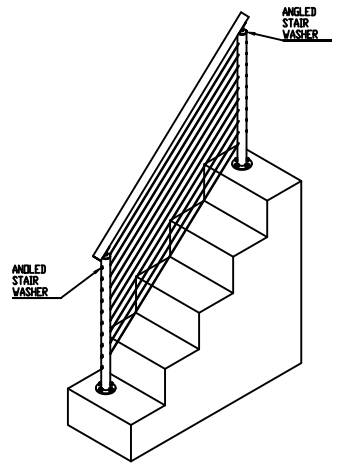


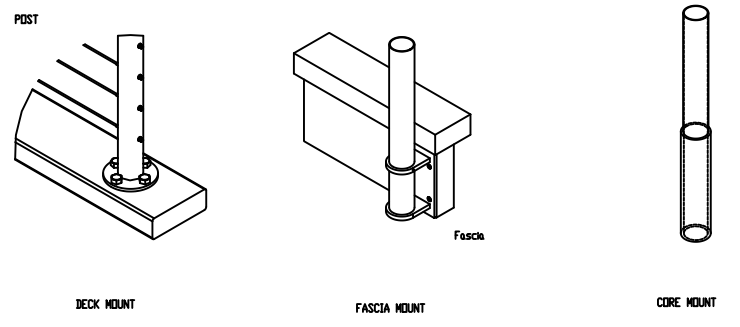
ITEM NO.	PART NUMBER	DESCRIPTION	QTY.
1	05-135-01	STAINLESS STEEL 2" WALL / FLOOR FLANGE / 4 HOLE	2
2	05-300-01	TERMINAL POST (STAINLESS STEEL)	2
3	05-300-01	ROUND TOP RAIL (STAINLESS STEEL)	1
4	01-0085-01 OR 01-0285-01	FIELD THREADED TERMINAL	11
5	01-0009-01 OR 01-0209-01	FIELD THREADED TENSIDER	11
6	Stainless Cable	1/8" or 3/16" DIA.	11
7	Stainless Washer	STD	22
8	Stainless Hex Nut	STD	22
9	Stainless Acorn Nut	STD	22
10	LAG BOLT	STD	8
11	05-210-01	Stainless 2" Post Cap Fixed - Radius Saddle	2



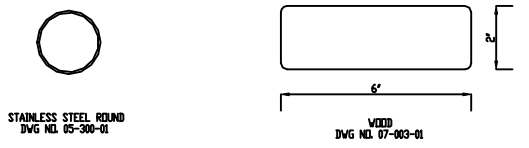
LEVEL 36' STANDARD GUARD RAILING



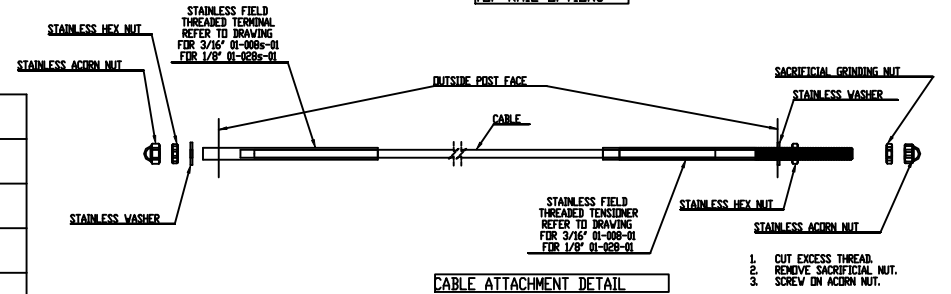
STAIRS 36' STANDARD GUARD RAILING



TYPICAL MOUNTING OPTIONS



TOP RAIL OPTIONS



CABLE ATTACHMENT DETAIL

REV	DATE	DESCRIPTION OF CHANGE	EDH	BY	APPR
REVISIONS					
TOLERANCES X.XX ± .01 XXX ± .015 ANGULAR FRACTIONAL ± 1/32		UNLESS OTHERWISE SPECIFIED	THIS DRAWING IS THE PROPERTY OF STAINLESS CABLE & RAILING AND IS PROTECTED UNDER COPYRIGHT LAW AS IT CONTAINS TRADE SECRETS OR INFORMATION OF A CONFIDENTIAL NATURE. IT MAY NOT BE REPRODUCED OR TRANSMITTED IN ANY FORM OR BY ANY MEANS WITHOUT PERMISSION FROM SCAR.		
DRAWN BY: PA		DATE: ■■	PROJECT: ■■	TITLE: CABLEVIEW © STAINLESS ROUND 36' RAILING	
				DWG NO. CV-SR 36	SHEET 1 OF 1