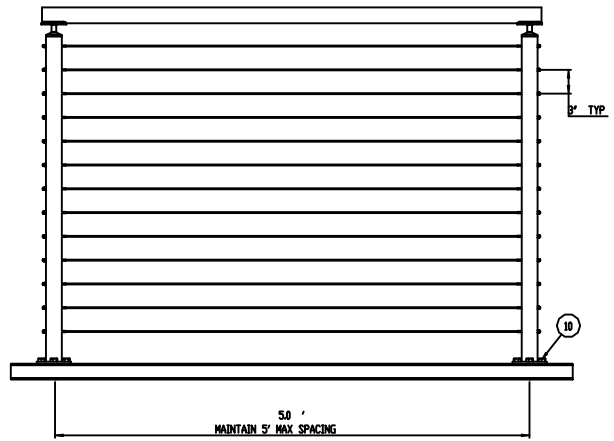
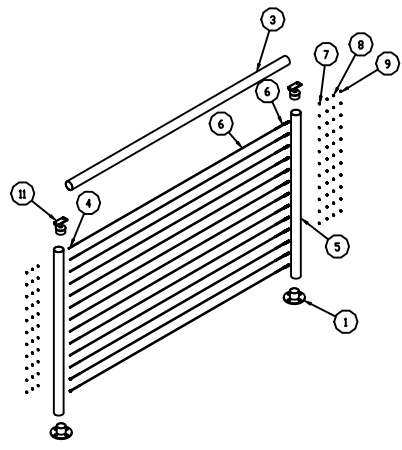
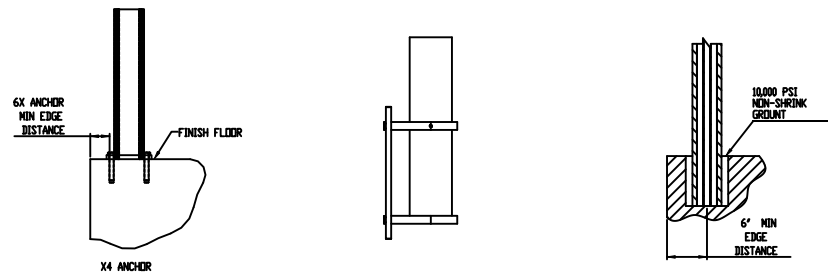
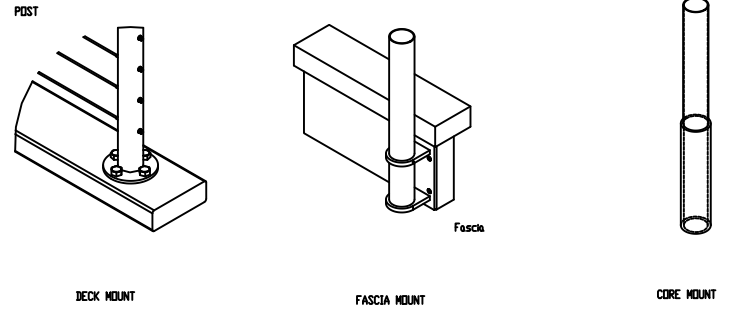


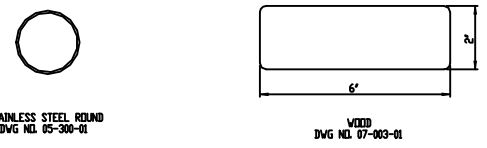
ITEM NO.	PART NUMBER	DESCRIPTION	QTY.
1	05-135-01	STAINLESS STEEL 2" WALL / FLOOR FLANGE / 4 HOLE	2
2	05-300-01	TERMINAL POST (STAINLESS STEEL)	2
3	05-300-01	ROUND TOP RAIL (STAINLESS STEEL)	1
4	01-0085-01 OR 01-0285-01	FIELD THREADED TERMINAL	13
5	01-0008-01 OR 01-0208-01	FIELD THREADED TENSIDER	13
6	Stainless Cable	1/8" or 3/16" DIA.	13
7	Stainless Washer	STD	26
8	Stainless Hex Nut	STD	26
9	Stainless Acorn Nut	STD	26
10	LAG BOLT	STD	8
11	05-210-01	Stainless 2" Post Cap Fixed - Radius Saddle	2



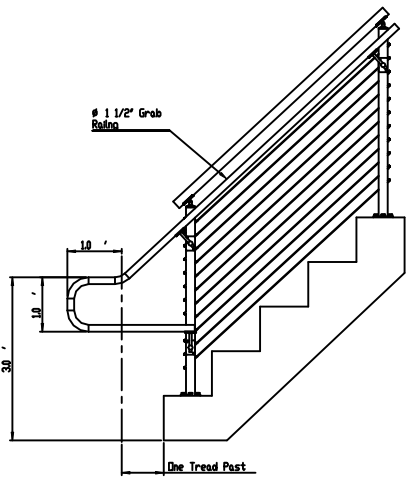
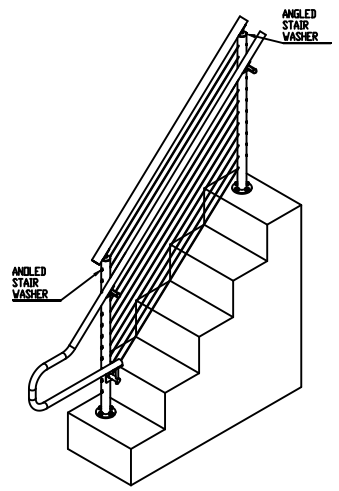
LEVEL 42" STANDARD GUARD RAILING



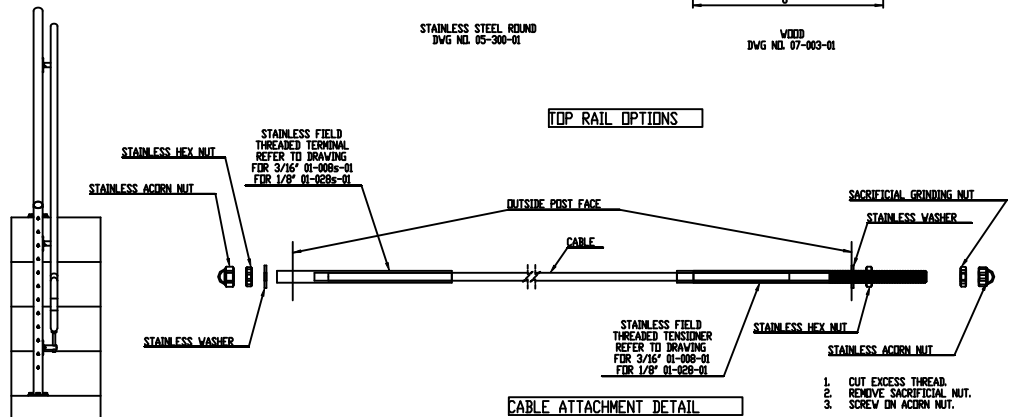
TYPICAL MOUNTING OPTIONS



TOP RAIL OPTIONS



STAIRS 42" STANDARD GUARD RAILING



CABLE ATTACHMENT DETAIL

REV	DATE	DESCRIPTION OF CHANGE	EDH	BY	APPR
REVISIONS					
TOLERANCES X.XX ± .01 X.XX ± .005 ANGULAR FRACTIONAL ± 1/32		UNLESS OTHERWISE SPECIFIED	THIS DRAWING IS THE PROPERTY OF STAINLESS CABLE & RAILING AND IS NOT TO BE REPRODUCED OR TRANSMITTED IN ANY FORM OR BY ANY MEANS, ELECTRONIC OR MECHANICAL, WITHOUT PERMISSION FROM SCAR		
DRAWN BY: PA		DATE: 11/11/11	PROJECT: 111	TITLE: CABLEVIEW	© STAINLESS ROUND 42" RAILING
				DWG NO. CV-SR 42	SHEET 1 OF 1